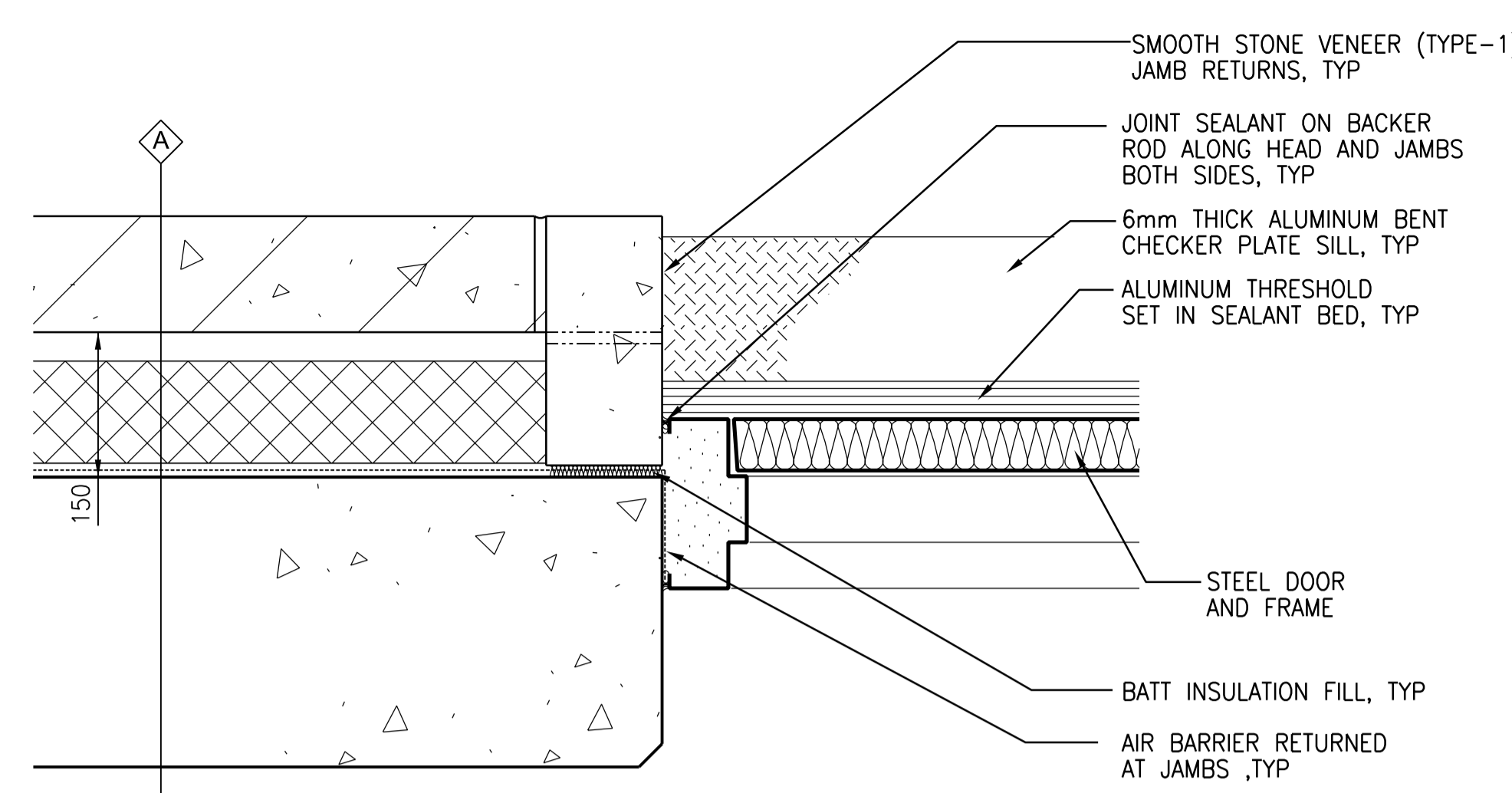
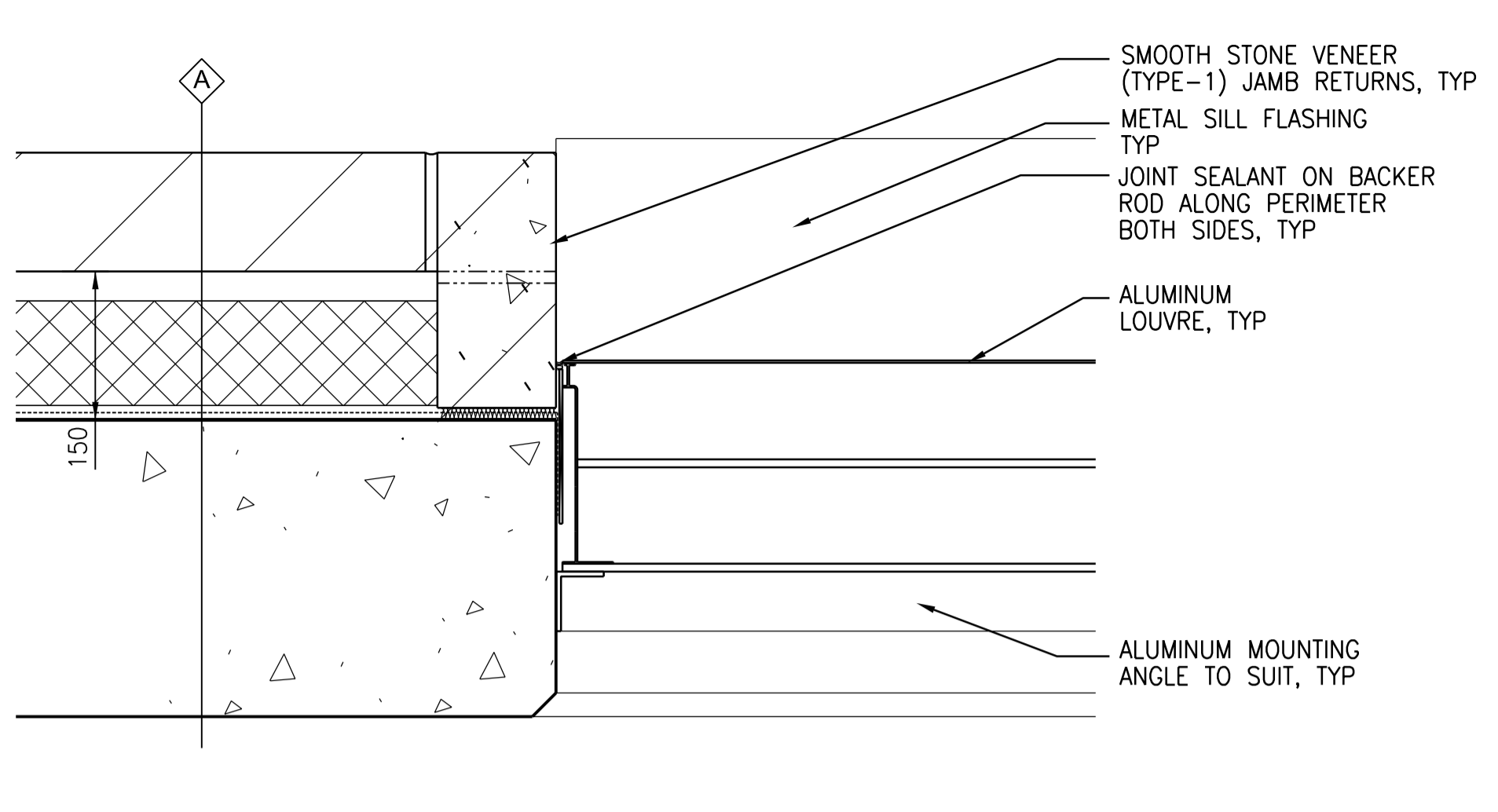


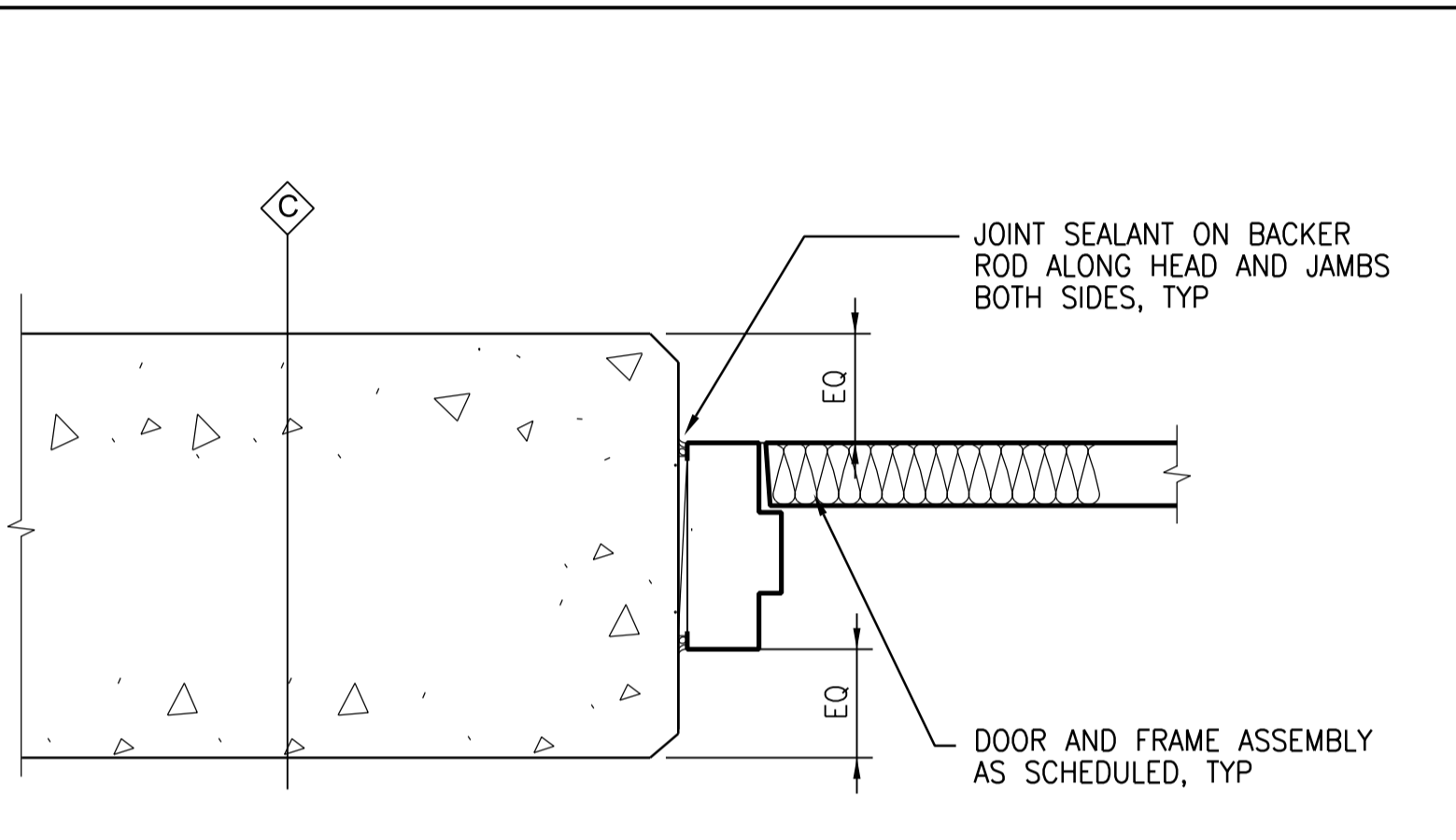
1 TYPICAL VENEER WALL PLAN DETAIL AT CORNER
1:5
BGAD-P001



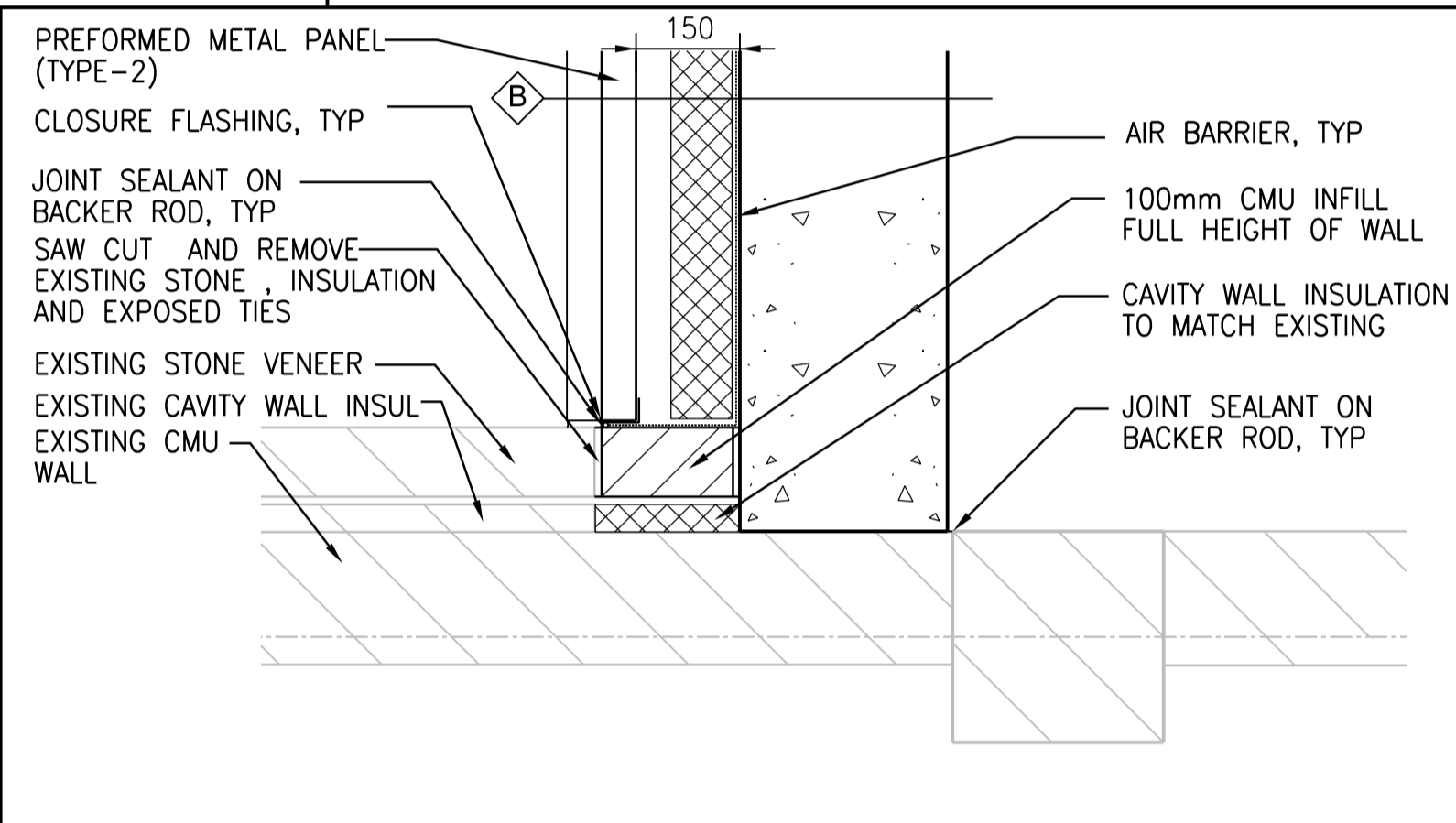
2 TYPICAL PLAN DETAIL AT DOOR JAMB
1:5
BGAD-P001



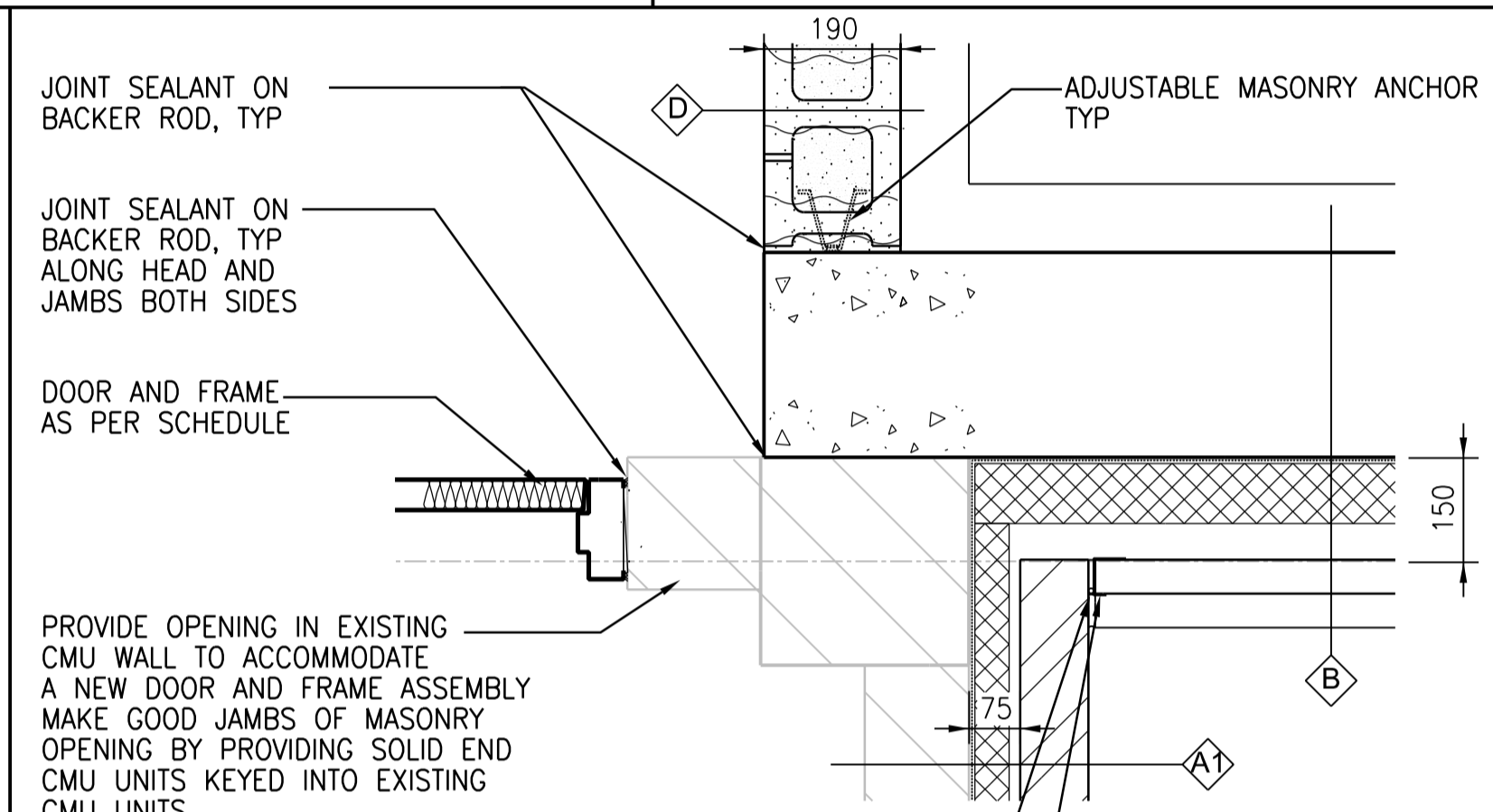
3 TYPICAL PLAN DETAIL AT LOUVER JAMB
1:5
BGAD-P001



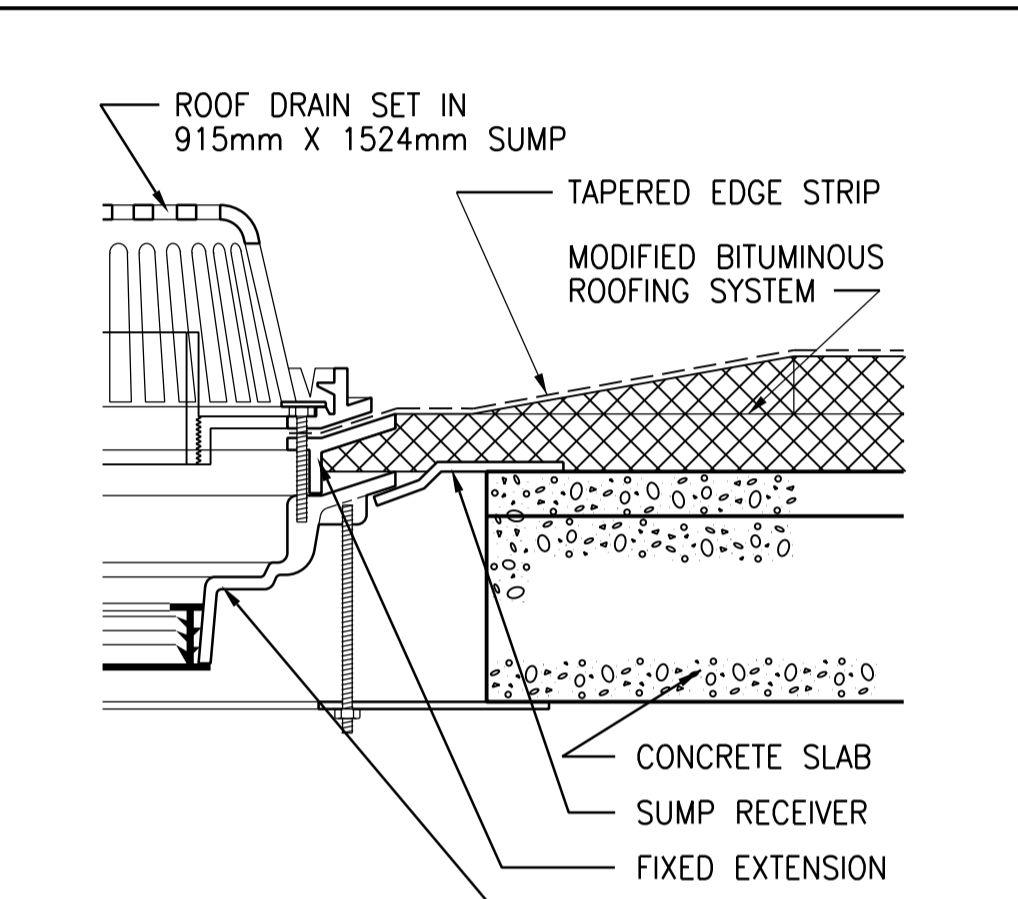
4 TYPICAL PLAN DETAIL AT STEEL DOOR JAMB
1:5
BGAD-P001



5 PLAN DETAIL
1:5
BGAD-P001



6 PLAN DETAIL
1:5
BGAD-P001



7 SECTION DETAIL
NTS
BGAD-P001

ROOM FINISH SCHEDULE

SPACE		FLOOR		BASE			NORTH WALL		EAST WALL		SOUTH WALL		WEST WALL		CEILING			MISCELLANEOUS		OTHER REQUIREMENTS	
RM NO.	NAME	SUB FLOOR	FIN	HGT	MATL	FIN	MATL	FIN	MATL	FIN	MATL	FIN	MATL	FIN	MATL	FIN	HGT	ITEM	MATL	FIN	
P-116	STAIR	CONC	SLR*	100	CONC	SLR*	CONC	CS	CONC	CS	CONC	CS	CONC	CS	CONC	CS	-	RAILING	AL	FCY	* FINISH TO TREADS AND RISERS

ABBREVIATIONS

AC	ACOUSTICAL CEILING	CLR	CLEAR	CS	COLOR SEALER	FWC	FABRIC WALL COVERING	HNR	HARDENER	PNL	PANELING	SLR	SEALER	VT	VINYL TILE
ACFL	ACCESS FLOORING	CEMBD	CEMENT BOARD	CRC	CHEMICAL RESISTANT COATING	FNH	FINISH	MATL	MATERIAL	PTD	PAINTED	SMLS	SEAMLESS EXPOXY	VWC	VINYL WALL COVERING
ACMU	ACOUSTICAL CMU	CMU	CONCRETE MASONRY UNITS	CT	CERAMIC TILE	GMU	GLASS MASONRY UNITS	MDO	MEDIUM DENSITY OVERLAY	PTN	PARTITION	SMLQ	SEAMLESS FLOORING (QUARTZ)	X	OPEN
ACT	ACOUSTIC TILE CEILING			EIFS	EXTERIOR INSULATION FINISH SYSTEM	GCMU	GLAZED CONCRETE MASONRY	QT	QUARRY TILE	RESIL	RESILIENT	SOI	SPRAYED - ON INSULATION		
AFP	ALUMINUM FACED PLYWOOD PANEL	COL	COLOR	EXP	EXPOSED STRUCTURE	GWB	GYPSON BOARD	PLAM	PLASTIC LAMINATE	RRUB	RADIAL RUBBER FLOORING	SVIN	SHEET VINYL		
AL	ALUMINUM	CONC	CONCRETE	FCTY	FACTORY	GSB	GYPSON SOFFIT BOARD	PLAS	PLASTER	RSF	RUBBER SHEET FLOORING SEALER	TCTG	TRAFFIC COATING		
BRK	BRICK	CNTR	COUNTER	GLZ	GLAZING	PVT	PAVER TILE	PLWD	PLYWOOD	SF	SPECIAL (SEAMLESS) FLOORING	TLS	TO LATER SELECTION		
		CPT	CARPET	FRP	FIBERGLASS REINFORCED PLASTIC	HGT	HEIGHT					VCT	VINYL COMPOSITION TILE		

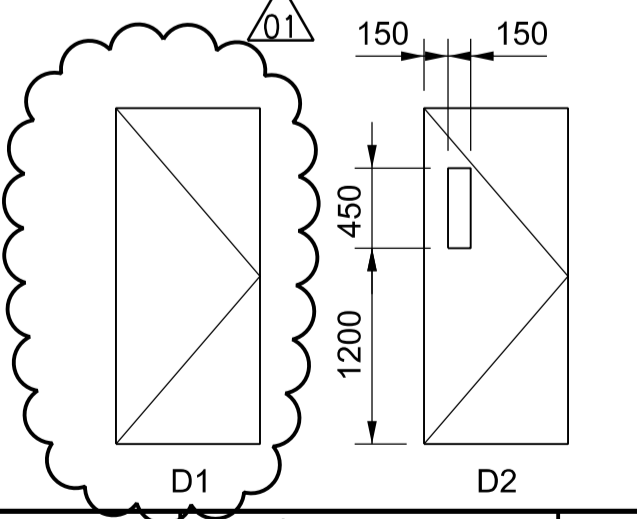
GENERAL NOTES

1. PROVIDE ABRASIVE NOSING INSERTS ON ALL STAIRS AND LANDING.
2. PAINT ALL EXPOSED STEEL STRUCTURE WHICH HAS NOT BEEN GALVANIZED.
3. PAINT U/S OF STAIRS, LANDINGS AND ALL EXPOSED METAL COMPONENTS.
4. EXTENT OF CT ON WALLS MIN. 200mm ABOVE CEILING.
5. COLOUR OF ALL FINISHES: TLS
6. PAINT WALLS BEHIND LOCKERS AND GWB BULKHEAD ABOVE LOCKERS

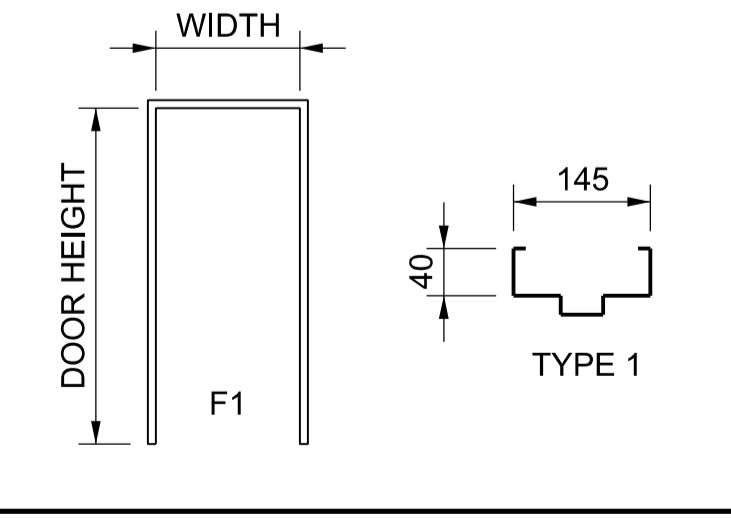
DOOR AND HARDWARE SCHEDULE

DOOR NO.	FROM ROOM NO.	TO ROOM NO.	DOOR DATA					FRAME DATA					HARDWARE DATA																						
			DOOR SIZE	ULC LABEL (MINUTES)	DOOR TYPE	MATERIAL	FINISH	GLASS	FRAME TYPE (ELEVATION)	MATERIAL	FINISH	FRAME TYPE (SECTION)	HINGE	LOCKSET	EXIT DEVICE	CLOSER	DOOR STOP	BOLTS	KICKPLATE	THRESHOLD	AUTOMATIC DOOR BOTTOM	WEATHER STRIPPING	ELECTRIC STRIKE	ELECTRIC HINGES	POWER SUPPLY	PULL HANDLE	SECURITY CONTROL SYSTEM	NAMEPLATE	MISCELLANEOUS						
P-116-A	EXST	P-116	900 x 2150	45	D2	STL	PTD	WG	F1	STL	PTD	1	H4	L16	X1	C6	S1	--	K1	--	--	W2	--	--	--	--	--	--	--	--	--	--	--	--	
P-116-B	G-B01	P-116	900 x 2150	45	D2	STL	PTD	WG	F1	STL	PTD	1	H4	L16	X1	C6	S2	--	K1	--	--	W2	--	--	--	--	--	--	--	--	--	--	--	--	
P-116-C	P-116	EXT	900 x 2150	45	D1	STL	PTD	WG	F1	STL	PTD	1	H4	L16	X1	C6	S1	--	K1	T3	A1	W2	--	--	--	--	--	--	--	--	--	--	--	--	
P-116-D	EXST	P-116	900 x 2150	45	D2	STL	PTD	WG	F1	STL	PTD	1	H4	L16	X1	C6	S2	--	K1	--	--	W2	--	--	--	--	--	--	--	--	--	--	--	--	--

DOOR TYPES



FRAME TYPES



ABBREVIATIONS

AL	ALUMINUM	FRP	FIBERGLASS RE-INFORCED PLASTIC	P-P	PUSH - PULL
AS	AS SELECTED	IP	INSULATED PANEL	PTD	PAINTED
CA	CLEAR ANNOIDIZED	HM	HOLLOW METAL	PS	POWER SUPPLY
CLSR	CLOSER	IAP	INSULATED ALUMINUM PANEL	RFS	ROLL-UP FIRE SHUTTER
COL	COLOR	KEY	KEY GROUP	SCI	SECURITY CONTROL ITEMS
CONSTR	CONSTRUCTION	K-PL	KICKPLATE (BOTH SIDES)	STL	STEEL
ES	ELECTRIC STRIKE	SST	STAINLESS STEEL	TSHD	THRESHOLD
FCTY	FACTORY	MATL	MATERIAL	TLS	TO LATER SELECTION
FNH	FINISH	MET	METAL	W-S	WEATHERSTRIPPING
		OHD	OVERHEAD ROLLING DOOR	WG	WIRED GLAZING

GENERAL NOTES

1. PROVIDE DOOR HARDWARE ON BOTH LEAFS IN PAIRS OF DOORS, UNLESS NOTED OTHERWISE.
2. PROVIDE KICKPLATES ON BOTH SIDES OF DOORS UNLESS NOTED OTHERWISE.
3. ALL EXTERIOR METAL ROLLING DOORS ARE TO BE INSULATED.
4. SEE SPECIFICATION SECTION 08 00 00 FOR TYPES OF GLASS.
5. ELECTRIC STRIKE, ELECTRIC HINGES & SECURITY CONTROL SYSTEM BY OTHERS.



NO.	REVISIONS	DATE	DESIGN	CHECK
01	ISSUED FOR ADDENDUM NO. 2	09/2015	R.Z.	J.C.
00	ISSUED FOR TENDER	08/2015	N.B.	J.C.

CH2MHILL CANADA Architects Inc.

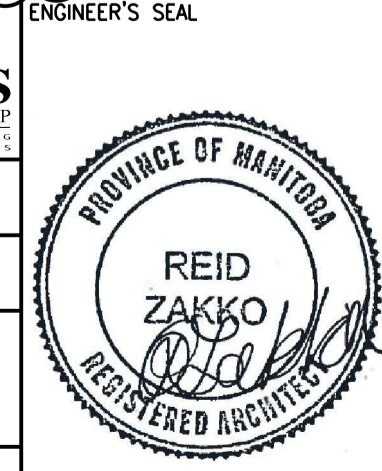
DESIGNED BY: R. ZAKKO
CHECKED BY: B. KOLIS-HUPA

DRAWN BY: J. LIN
APPROVED BY: R. ZAKKO

SCALE: AS SHOWN
ISSUED FOR CONSTRUCTION

DATE: 2015/08/13
DATE: 2015/08/13

CONSULTANT NO.: 474248



THE CITY OF WINNIPEG WATER AND WASTE DEPARTMENT

SOUTH END WATER POLLUTION CONTROL CENTRE
SEWPC UPGRADING/EXPANSION PROJECT
BUILDING
PRIMARY CLARIFIERS
PLAN DETAILS AND SCHEDULES

CITY DRAWING NUMBER: 1-0102-BGAD-P002
SHEET: 01
REV: A1
SIZE: A1