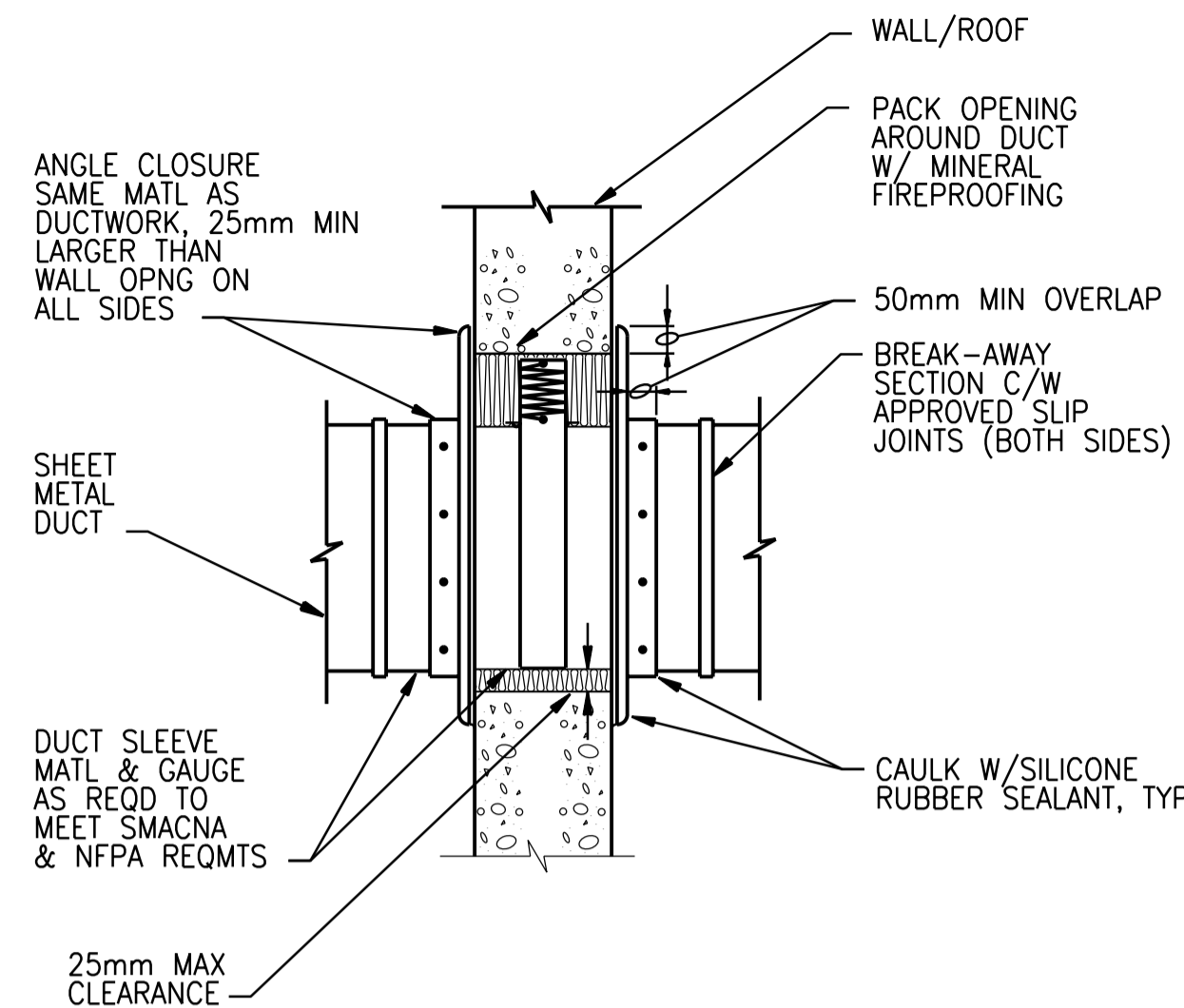


A1 SIZE - 594mm x 841mm



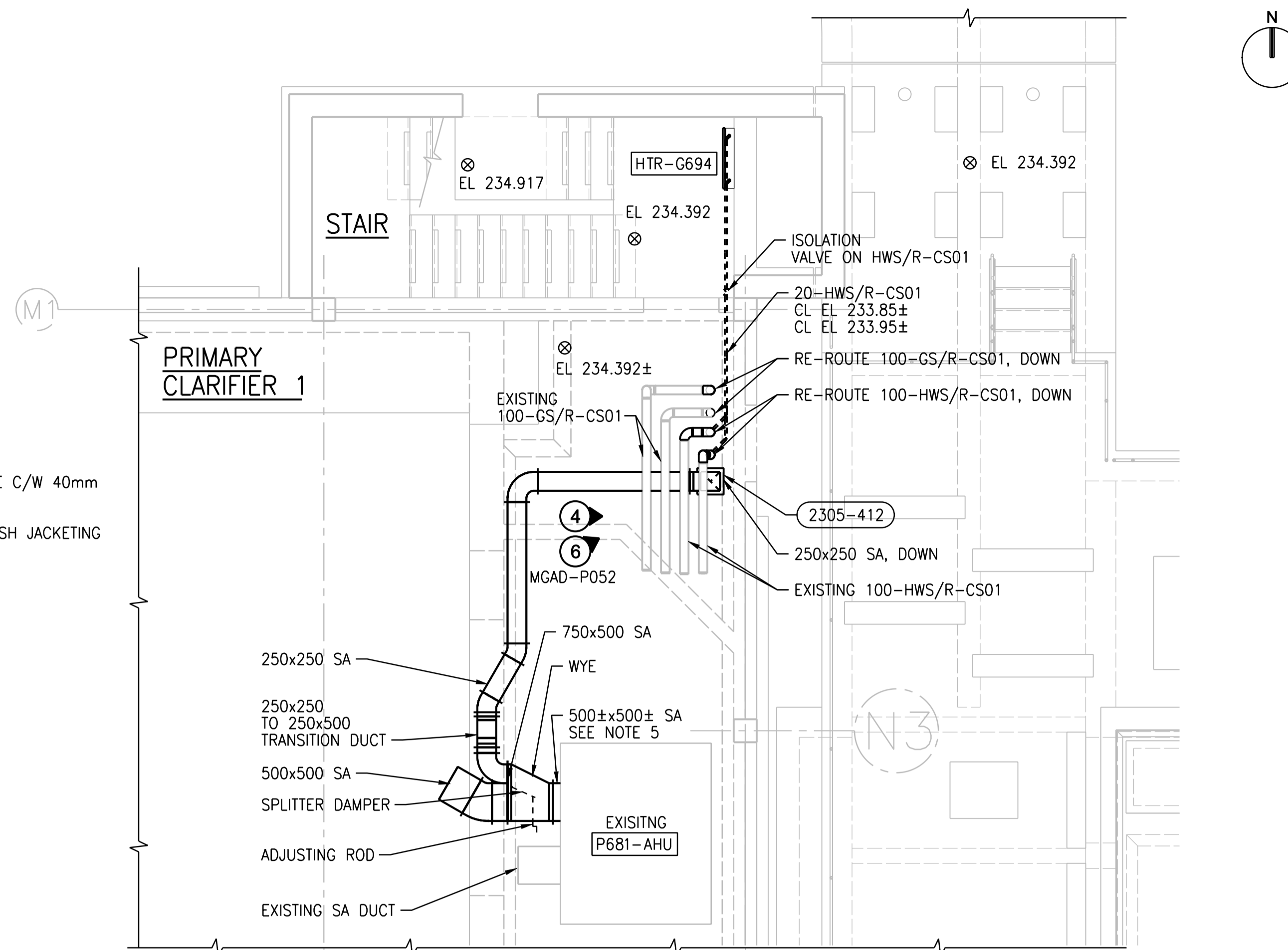
NOTES:
1. FLOOR PENETRATION SIMILAR.

DUCT WALL/FLOOR PENETRATION, FIRE-DAMPENED OPENING
NTS

2333-808

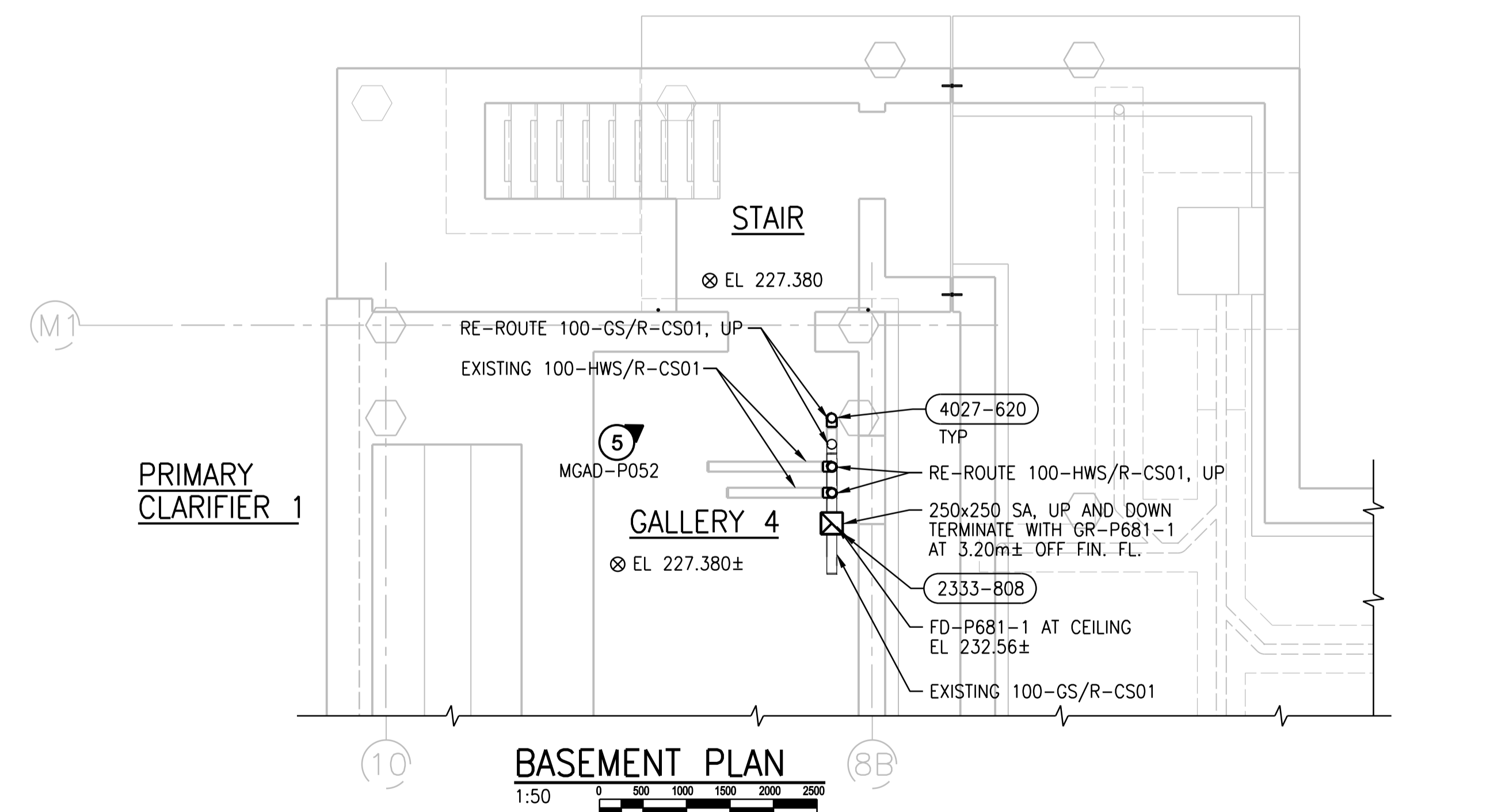
NOTES:

- REFER TO DWG MGAD-P050, P-051, P-052 FOR REMOVING AND RE-ROUTING OF DUCT AND HYDRONIC PIPING.
- HTR-G694 : 1.5 KW , MODEL WF, BY ROSEMEX, DIMENSION 800x150x500 HIGH
- HWS/HWR, GS/GR : CARBON STEEL PIPE AND FITTING FOR HYDRONIC WATER SERVICE C/W 40mm FIBERGLASS INSULATION AND ALUMINUM JACKETING
- ALUMINUM DUCTWORK WITH 32mm FIBERGLASS BOARD INSULATION AND FACTORY FINISH JACKETING
- FIELD VERIFY EXACT DUCT SIZE TO MATCH WITH EXISTING AHU OPENING
- GR-P681-1 : TITUS, MODEL 300RS-SS C/W GANG-OPERATED OPPOSED-BLADE VOLUME CONTROL DAMPER, DIMENSION 250x250
- FD-P681-1 : REFER TO DAMPER SCHEDULE ON DWG MGAD-K604



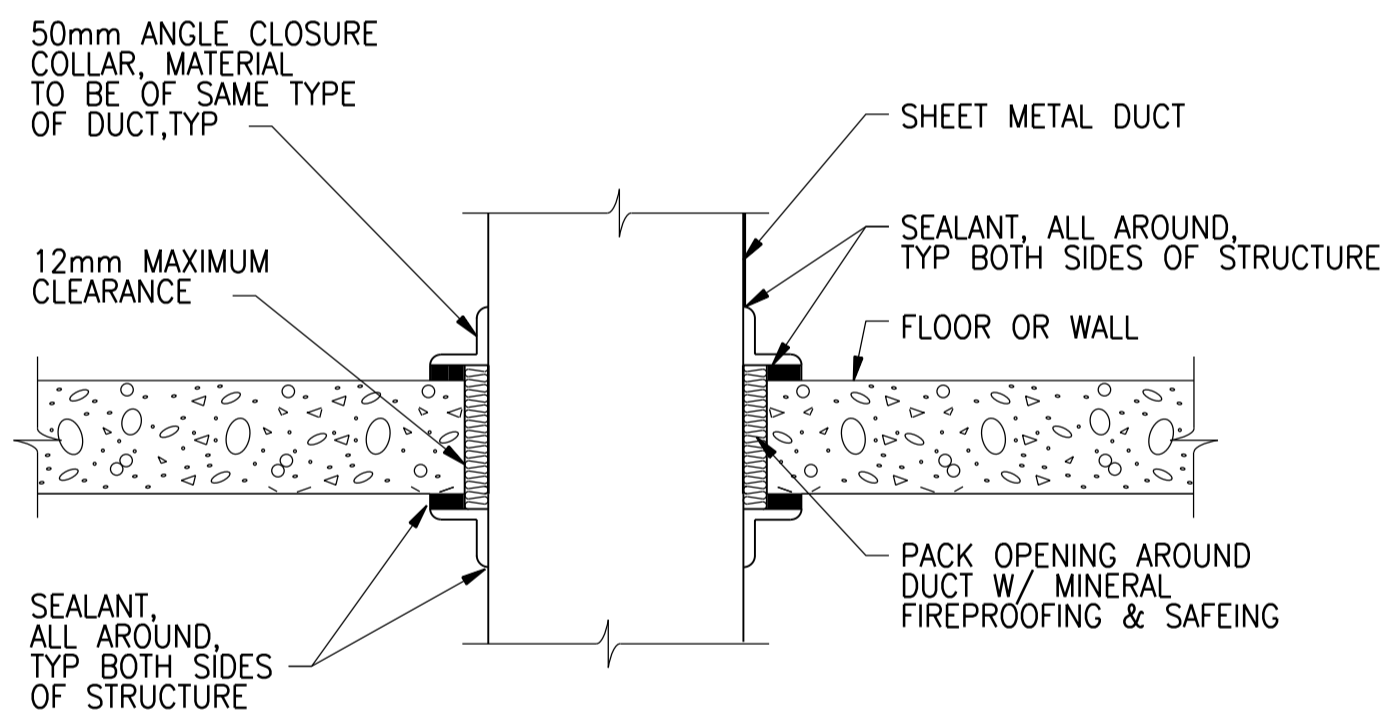
GROUND FLOOR PLAN

1:50 0 500 1000 1500 2000 2500



BASEMENT PLAN

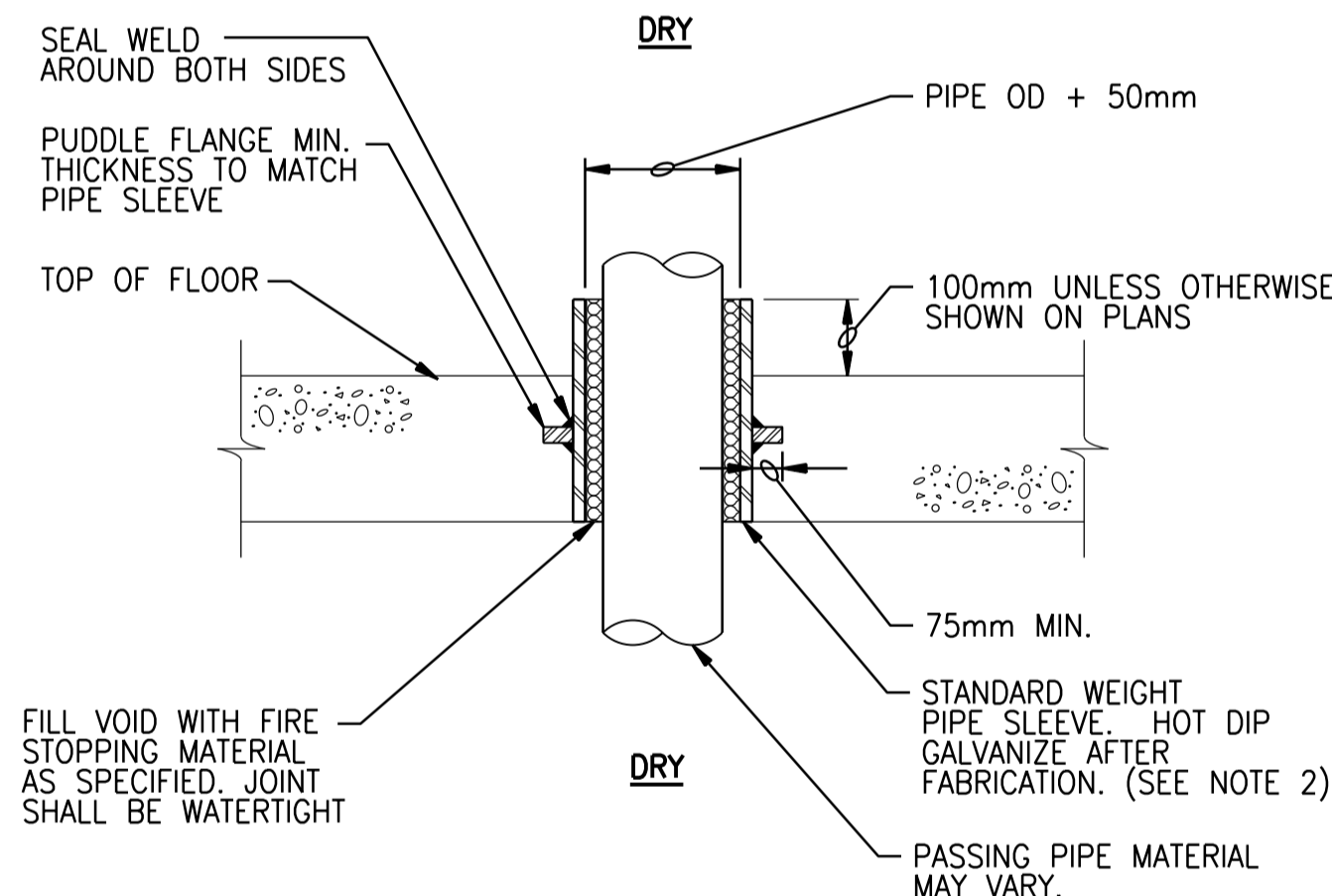
1:50 0 500 1000 1500 2000 2500



NOTES:
1. WALL PENETRATION SIMILAR.
2. 50mm ANGLE CLOSURE COLLAR OF SAME MATERIAL AS DUCT.

FLOOR PENETRATION - DRY AREA
NTS

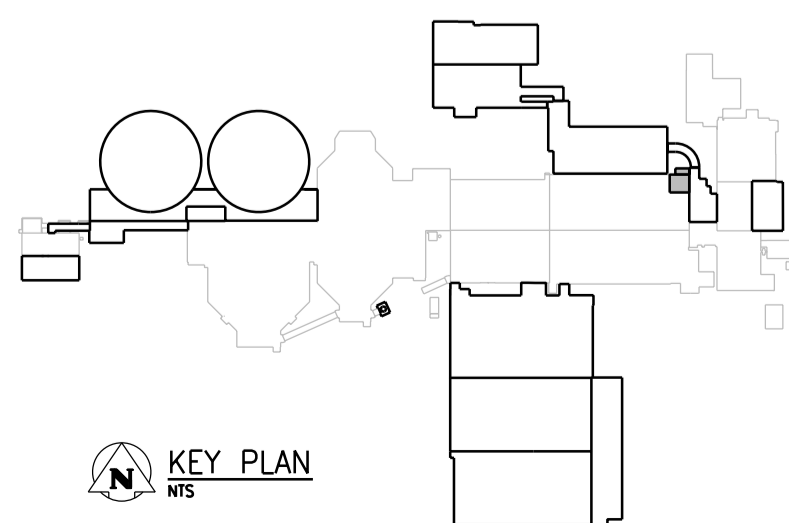
2305-412



NOTES:
1. ALL DIMENSIONS IN MILLIMETERS, UNLESS OTHERWISE NOTED.
2. COAT FLOOR SLEEVE WITH SPECIFIED PAINT SYSTEM PRIOR TO CONCRETE PLACEMENT.
3. ALL PIPE SUPPORT COMPONENTS SHALL BE DESIGNED FABRICATED FROM STAINLESS STEEL MATERIAL, UNLESS NOTED OTHERWISE.

FLOOR SLEEVE (DRY)
NTS

4027-620



KEY PLAN
NTS



NO.	REVISIONS	DATE	DESIGN	CHECK
00	ISSUED FOR TENDER	08/2015	K.F.	T.T.

CH2MHILL.
SNC-LAVALIN
DESIGNED BY: D. LE
DRAWN BY: K. FONG
SCALE: AS NOTED
DATE: 2015/08/13
CONSULTANT NO.: 474248

CHECKED BY: T. TRAN
APPROVED BY: J. CHENG
ISSUED FOR CONSTRUCTION BY: T. TURZAK
DATE: 2015/08/13

ENGINEER'S SEAL
13 August 2015
PROVINCE OF MANITOBA
REGISTERED PROFESSIONAL ENGINEER
D.H. LE
Member
31604

THE CITY OF WINNIPEG
Winnipeg WATER AND WASTE DEPARTMENT
SOUTH END WATER POLLUTION CONTROL CENTRE
SEWPCU UPGRADING/EXPANSION PROJECT
MECHANICAL
PRIMARY CLARIFIERS
PARTIAL PLANS
CITY DRAWING NUMBER: 1-0102-MGAD-P601
SHEET: 00
REV: A1
SIZE: A1