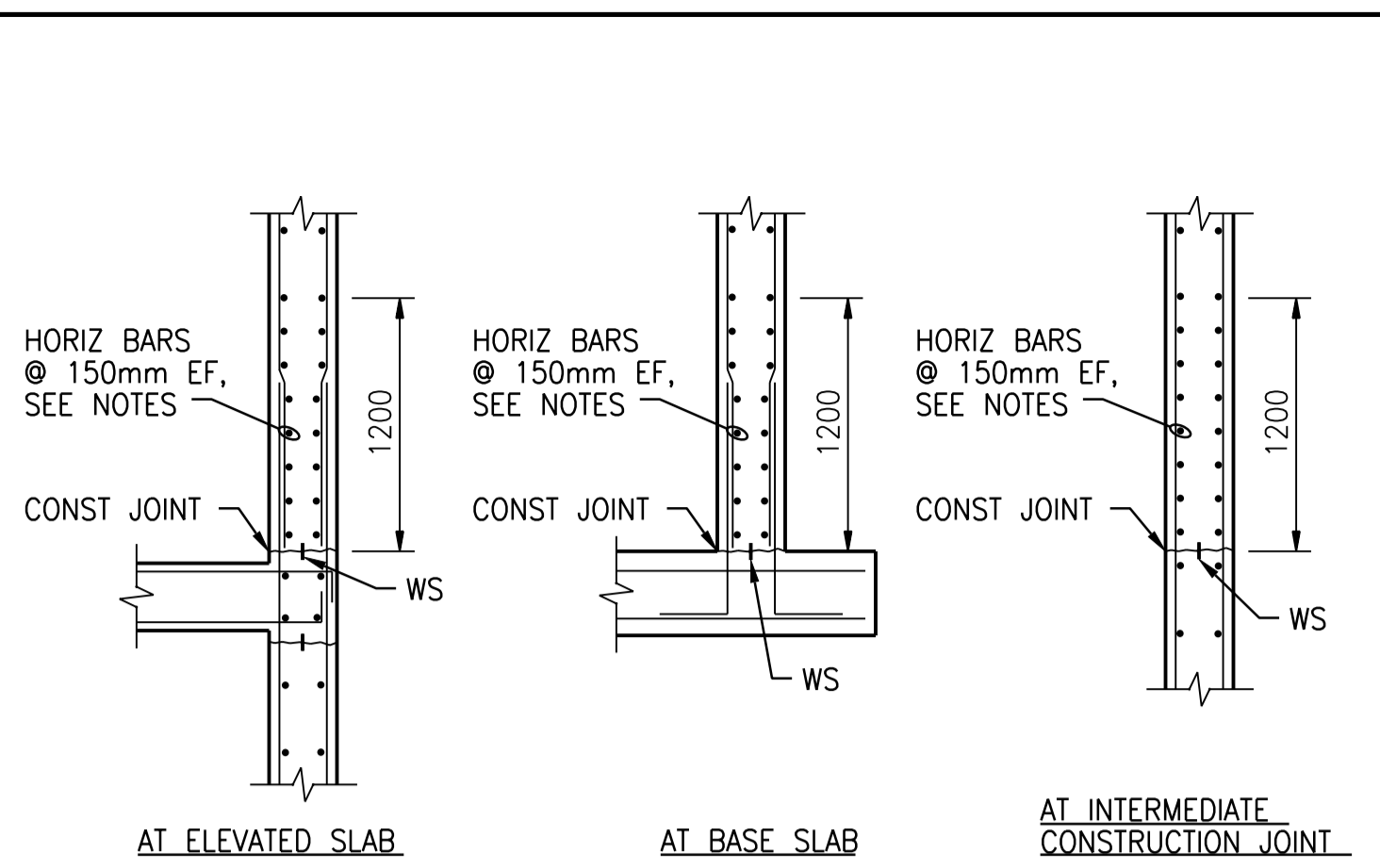


ALL RIGHTS RESERVED.



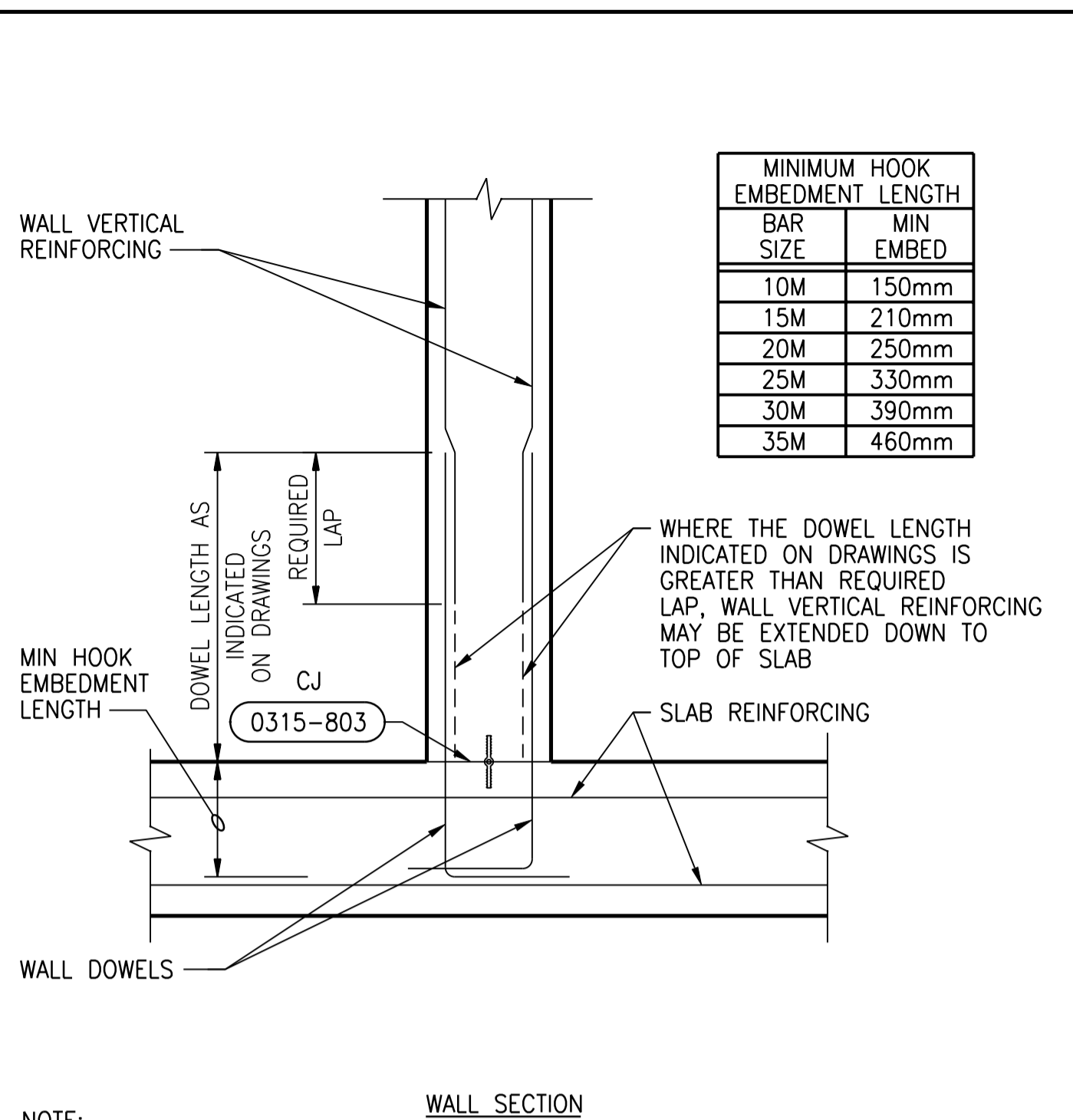
- NOTES:**
1. PROVIDE HORIZONTAL BARS AT 150mm SPACING EACH FACE IN THE FIRST 1200mm ABOVE ALL HORIZONTAL WALL CONSTRUCTION JOINTS IN LIQUID CONTAINING AND BELOW-GRADE STRUCTURES. WHERE TYPICAL WALL HORIZONTAL BARS ARE AT 300mm SPACING, PROVIDE ADDITIONAL BARS FOR 150mm SPACING.
 2. HORIZONTAL BAR SIZE FOR THE 1200mm ZONE SHALL BE THE TYPICAL WALL HORIZONTAL BAR SIZE SHOWN ON THE DRAWINGS OR THE MINIMUM BAR SIZE IN THE TABLE BELOW, WHICHEVER IS GREATER.

WALL THICKNESS (mm)	MINIMUM BAR SIZE
250	15M
300, 350	20M
400, 450, 500	20M
≥550	25M

3. PROVIDE CORNER BARS AT 150mm SPACING EACH FACE TO LAP WITH THE BARS SHOWN ABOVE, SEE (0330-003).

REINFORCING AT HORIZONTAL CONSTRUCTION JOINT

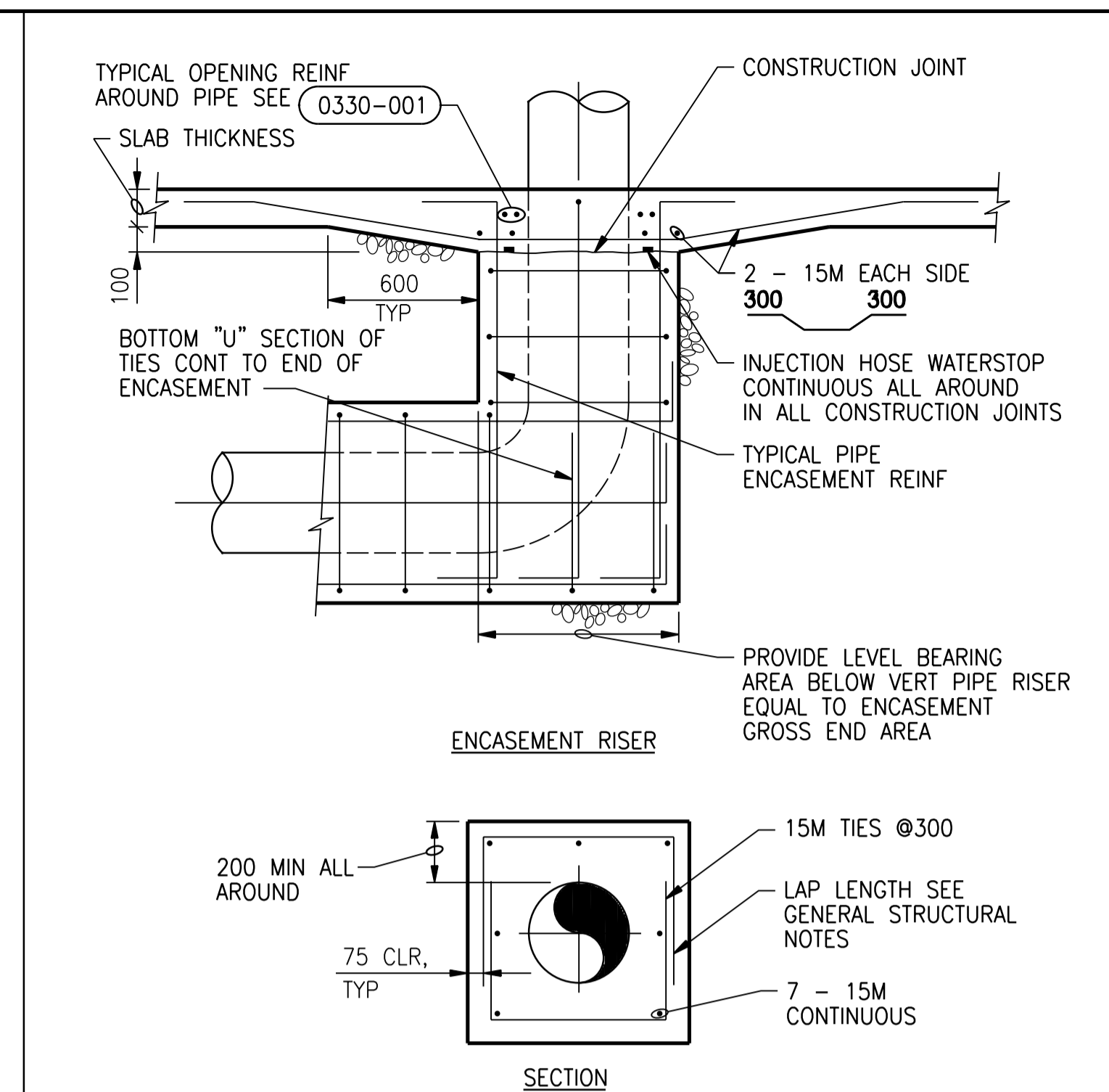
NTS (0330-004)



- NOTE:**
1. UNLESS NOTED OTHERWISE, ALL DOWEL HOOKS SHALL EXTEND TO AND BE TIED OFF TO BOTTOM MAT OF SLAB REINFORCING.

VERTICAL WALL REINFORCEMENT/ DOWEL PLACEMENT

NTS (0330-005)



- NOTES:**
1. SECTION APPLIES TO PIPES W/ DIAMETERS 450mm AND SMALLER. FOR 500mm DIAMETER PIPES AND LARGER, SEE (0330-017)
 2. WHERE SHOWN TIE SLAB & ENCASEMENT TOGETHER. SEE (0330-018)

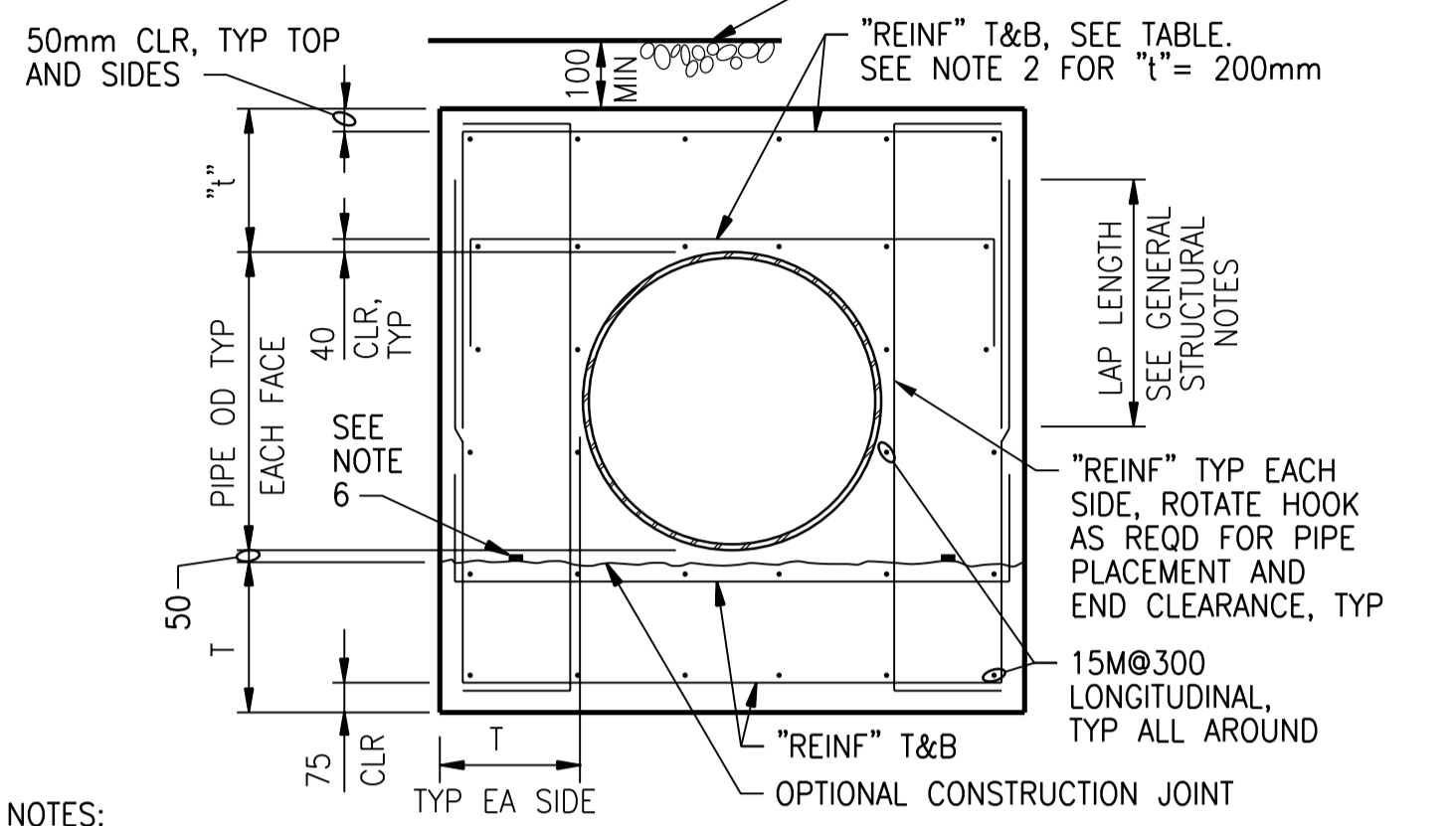
PIPE ENCASEMENT

NTS (0330-016)

PIPE ENCASEMENT TABLE

PIPE DIA (mm)	H=3000mm		H=6000mm		H=9000mm		H=12000mm	
	T (mm)	REINF	T (mm)	REINF	T (mm)	REINF	T (mm)	REINF
500 THRU 750	200	15M@300	250	15M@300	250	15M@300	250	20M@300
900 THRU 1050	250	15M@300	250	20M@300	250	25M@300	250	20M@150
1200 THRU 1400	250	20M@300	250	25M@300	250	25M@150	300	25M@150
UP TO 1500	250	20M@300	250	20M@150	250	25M@150	300	25M@150

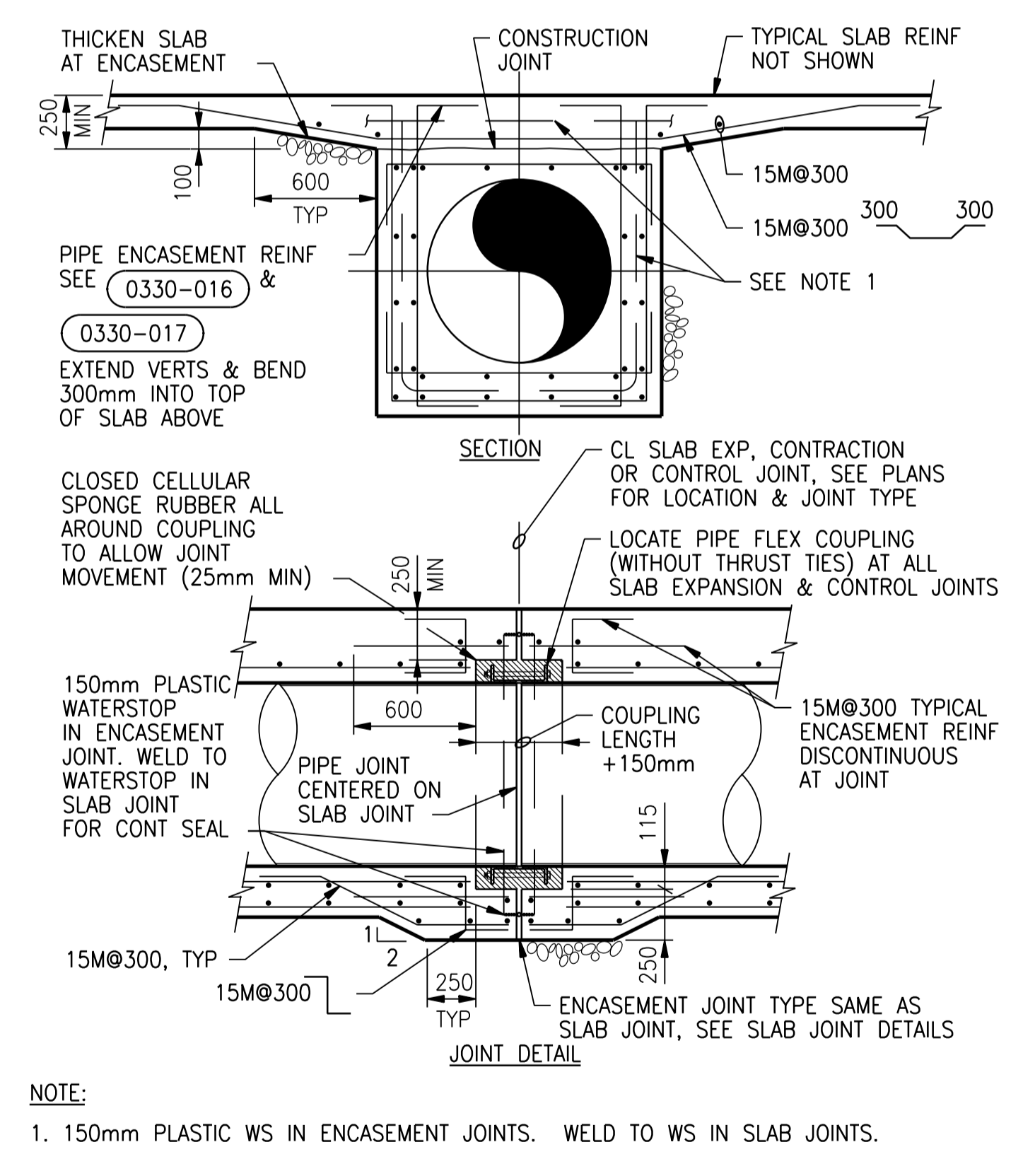
HEAVY DARK LINE INDICATES BREAK BETWEEN ONE LAYER OF REINFORCING AND TWO. SEE NOTE 2.



- NOTES:**
1. THIS DETAIL APPLIES TO PIPE DIAMETER OF 500mm AND LARGER. FOR SMALLER THAN 500mm, SEE DETAIL (0330-016)
 2. FOR "t"=200mm REINFORCING SHALL BE ONE LAYER AND CENTERED IN SLABS OR WALLS. SIM (0330-016)
 3. FOR ENCASEMENT AT PIPE RISER, SEE (0330-016)
 4. "H" IS FILL HEIGHT OR WATER DEPTH OR COMBINATION ABOVE PIPE.
 5. WHERE SHOWN TIE SLAB & ENCASEMENT TOGETHER. SEE (0330-018)
 6. INJECTION HOSE WATERSTOP CONTINUOUS ALL AROUND IN ALL CONSTRUCTION JOINTS.

PIPE ENCASEMENT

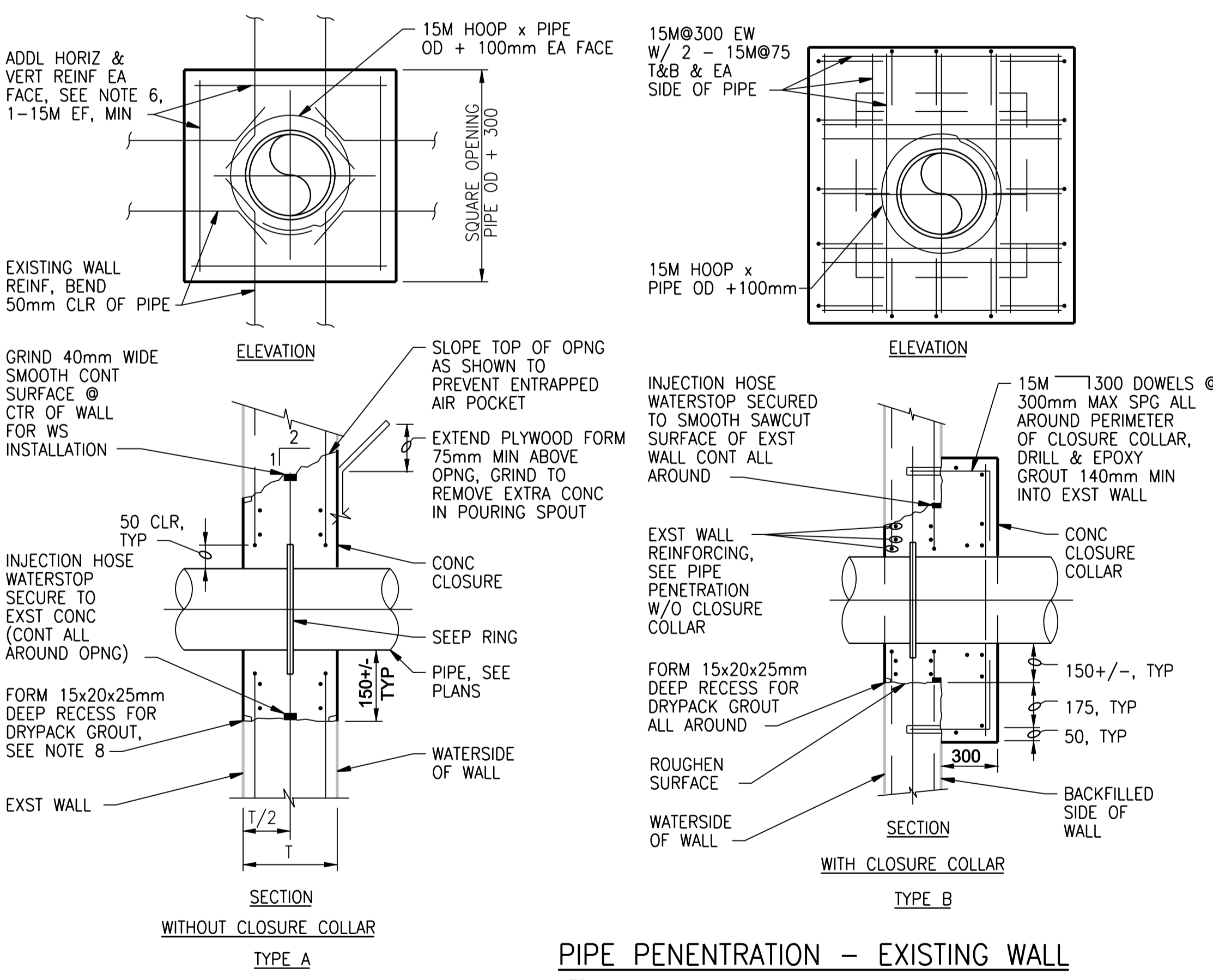
NTS (0330-017)



- NOTE:**
1. 150mm PLASTIC WS IN ENCASEMENT JOINTS. WELD TO WS IN SLAB JOINTS.

PIPE ENCASEMENT

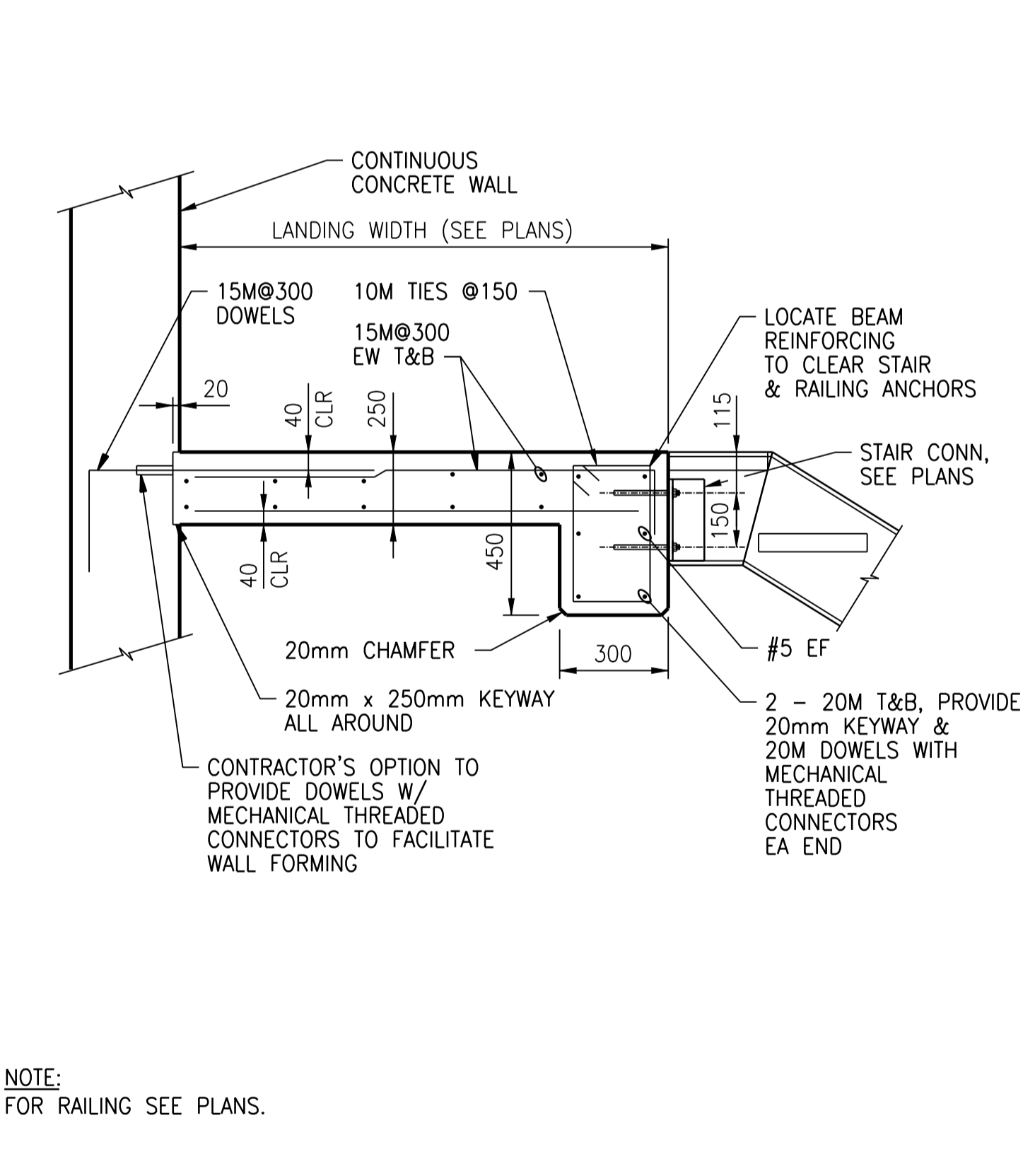
NTS (0330-018)



- NOTES:**
1. SAW-CUT 25mm DEEP x PIPE OD + 300mm SQUARE SCORE LINE ON EACH FACE OF WALL. (VERIFY DEPTH OF CUT TO CLEAR REINFORCING.) (INCREASE HEIGHT AS NOTED AT TOP ON WATERSIDE FACE FOR POURING.)
 2. CHIP TO REMOVE THE CONCRETE WITHIN THE SCORE LINE, WHILE PRESERVING THE EXISTING WALL REINFORCING.
 3. CUT EXISTING REINFORCING AT CENTER OF OPENING AND BEND TO CLEAR PIPE.
 4. GRIND 40mm WIDE x CONT SMOOTH SURFACE ALL AROUND THE OPENING AT CENTER OF WALL. CLEAN SURFACES AND INSTALL CONTINUOUS INJECTION HOSE WATERSTOP IN PLACE.
 5. INSTALL WALL PIPE. (COAT CONCRETE ENCASED PORTION OF PIPE WITH SPECIFIED COATING SYSTEM.)
 6. INSTALL ADDITIONAL REINFORCING EACH FACE, EACH SIDE, ABOVE AND BELOW PIPE. HORIZONTAL REINFORCING TO HAVE COMBINED AREA EQUAL TO AREA OF HORIZONTAL REINFORCING CUT. VERTICAL REINFORCING TO HAVE COMBINED AREA EQUAL TO AREA OF VERTICAL REINFORCING CUT.
 7. SOAK CONCRETE SURFACES AND WITHIN 15-MINUTES CAST CONCRETE CLOSURE. FORM GROOVE ON ALL SIDES OF OPENING EXCEPT AT TOP ON THE POUR SIDE.
 8. CLEAN SURFACES OF FORMED GROOVE WITH POWER WIRE BRUSH OR SANDBLASTING AND DRY-PACK WITH NON-SHRINKING GROUT AFTER NEW CONCRETE MIN 28-DAYS OLD.

PIPE PENETRATION - EXISTING WALL

NTS (0330-022)



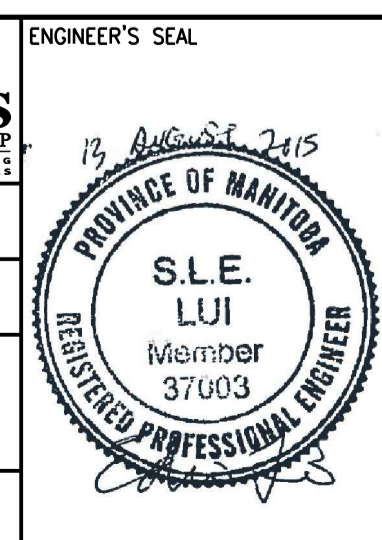
- NOTE:**
- FOR RAILING SEE PLANS.

STAIR LANDING

NTS (0330-051)



00	ISSUED FOR TENDER	08/2015	G.O. J.C.
NO.	REVISIONS	DATE	DESIGN CHECK



CH2MHILL.
SNC-LAVALIN
DESIGNED BY: E. LUI
DRAWN BY: G.OMORI
SCALE: NTS
DATE: 2015/08/13
CONSULTANT NO.: 474248

KCS GROUP CONSULTANTS
CHECKED BY: R. PARIKH
APPROVED BY: E. LUI
ISSUED FOR CONSTRUCTION BY: T. TURZAK
DATE: 2015/08/13

ENGINEER'S SEAL
13 AUG 2015
S.L.E. LUI
Member 37003
REGISTERED PROFESSIONAL ENGINEER

THE CITY OF WINNIPEG
Winnipeg WATER AND WASTE DEPARTMENT
SOUTH END WATER POLLUTION CONTROL CENTRE
SEWPPC UPGRADE/EXPANSION PROJECT
STRUCTURAL
STANDARD DETAILS (4)

CITY DRAWING NUMBER: 1-0102-SDTL-A005
SHEET: 00
REV: A1
SIZE: A1