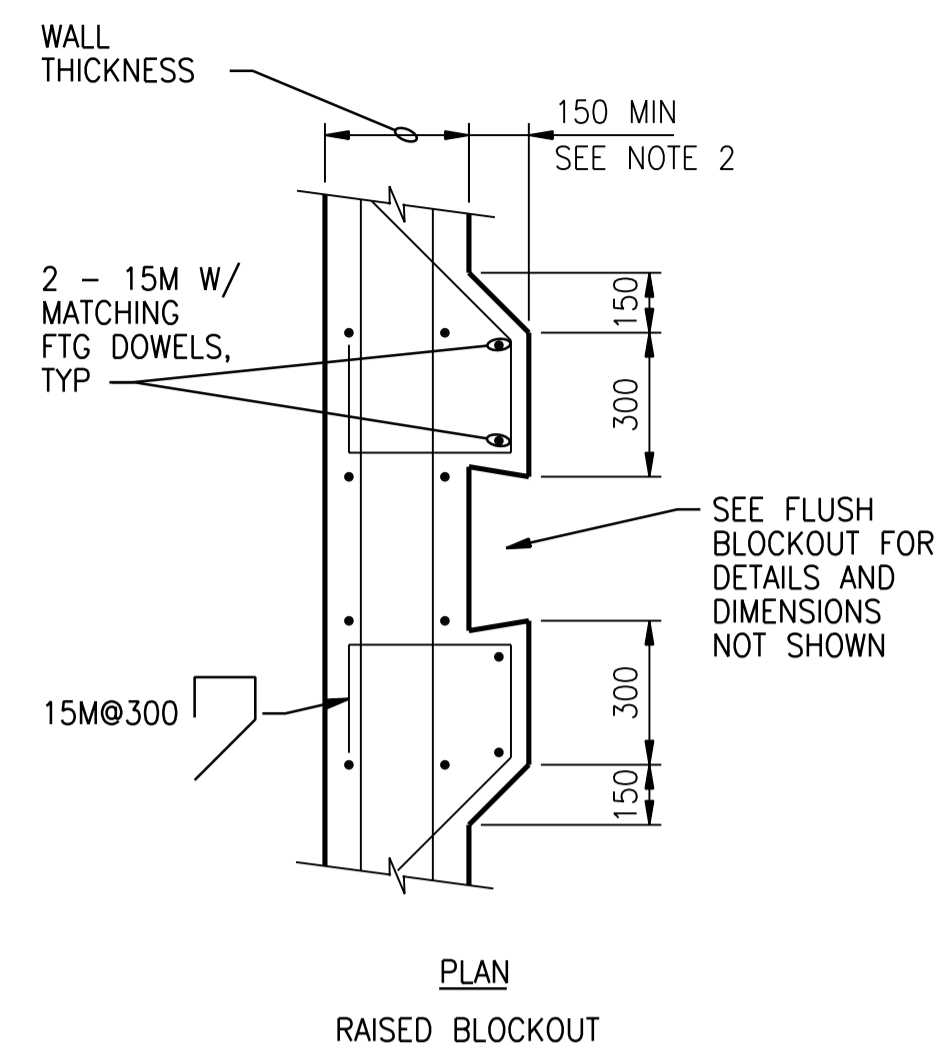


- NOTES:**
1. FLUSH BLOCKOUT TYPICAL UNLESS OTHERWISE NOTED OR SHOWN ON PLANS.
 2. REINFORCEMENT DETAILS ARE FOR BLOCKOUT AT STRAIGHT RUN WALL. MODIFY TO FIT CONDITIONS OF WALL SHOWN ON PLANS.
 3. WALL BLOCKOUT SHOWN. BLOCKOUT CONTINUES THROUGH CHANNEL BASE SLAB. REINFORCE BASE SLAB SIMILARLY.
 4. VERIFY WITH MANUFACTURER AND COORDINATE GATE GUIDES WITH DETAIL (3520-280)

BLOCKOUT FOR STOP LOG OR GATE GUIDE

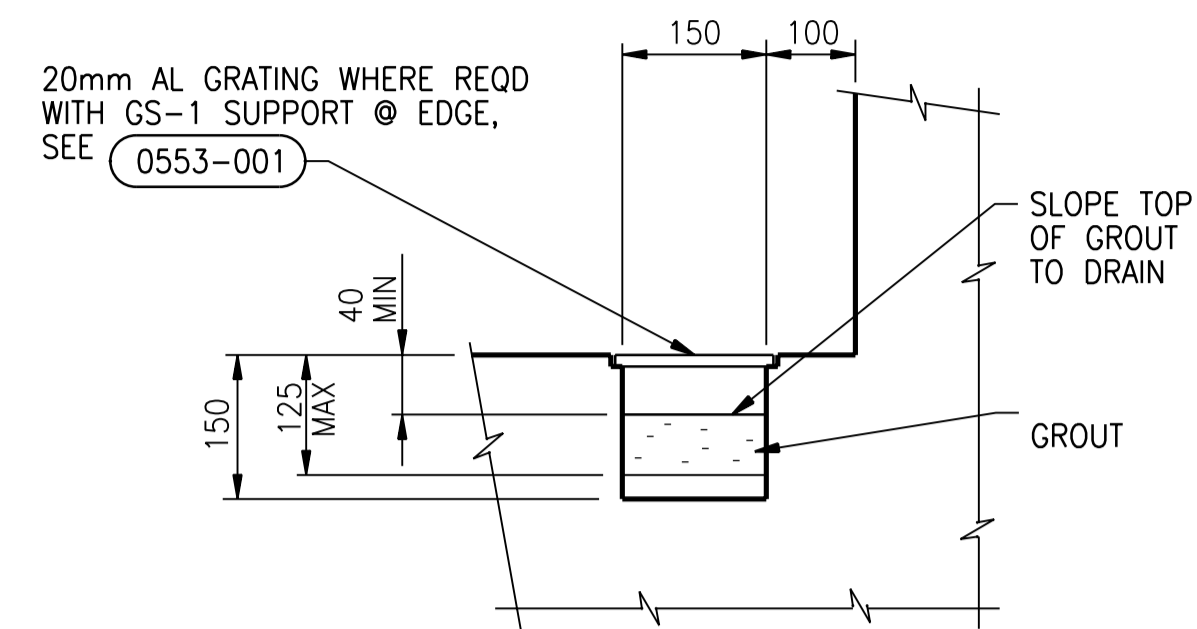
NTS (0330-076A)



- NOTES:**
1. STOP PIERS AT UNDERSIDE OF GRATING
 2. COORDINATE GATE GUIDE BLOCKOUT DEPTH AND PIER DEPTH WITH DETAIL (3520-280)

STOP LOG/GATE GUIDE

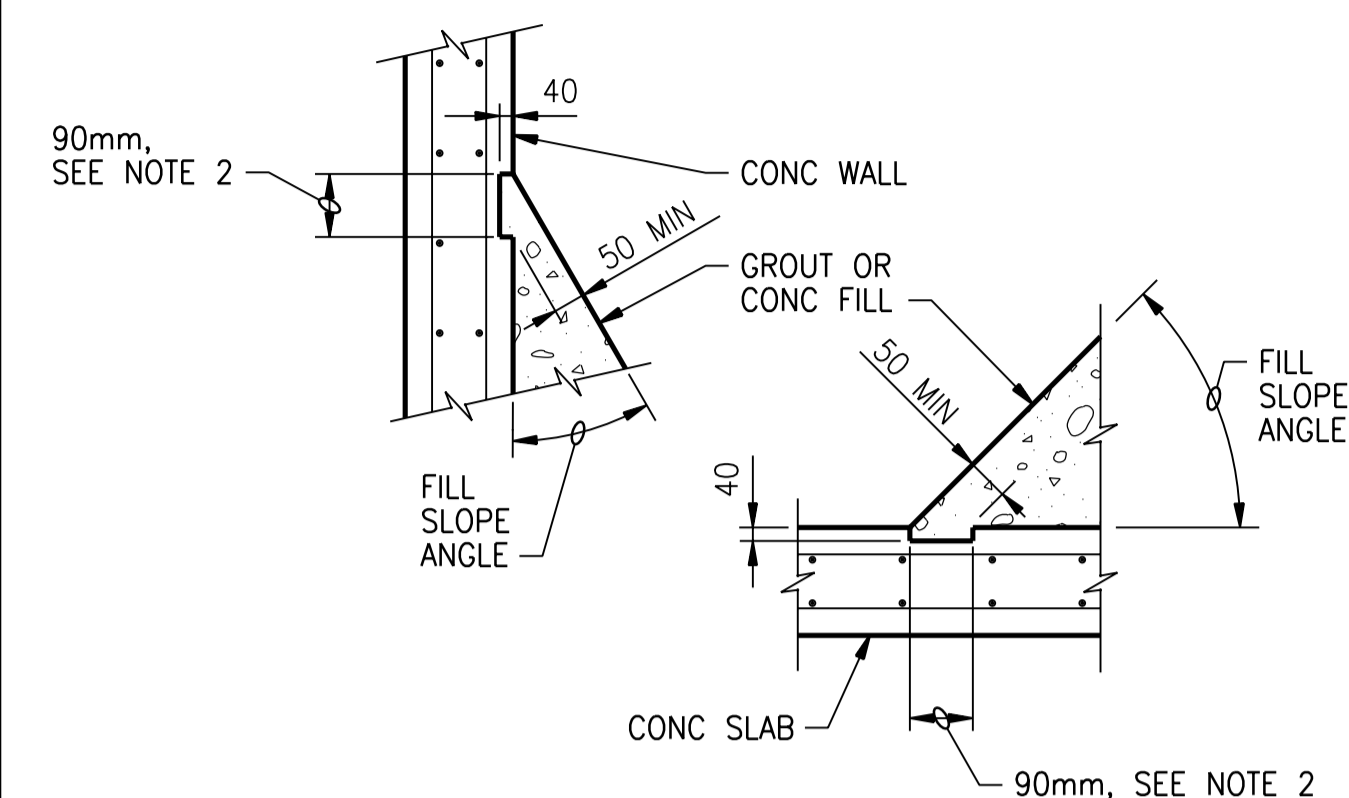
NTS (0330-076B)



- NOTES:**
1. PROVIDE GRATING WHERE CUTTER CROSSES WALKWAY OR WORKING AREAS.
 2. WHERE TRENCH IS ADJACENT TO WALL DO NOT PROVIDE GRATING UNLESS SPECIFICALLY SHOWN.

FORMED CONCRETE TRENCH

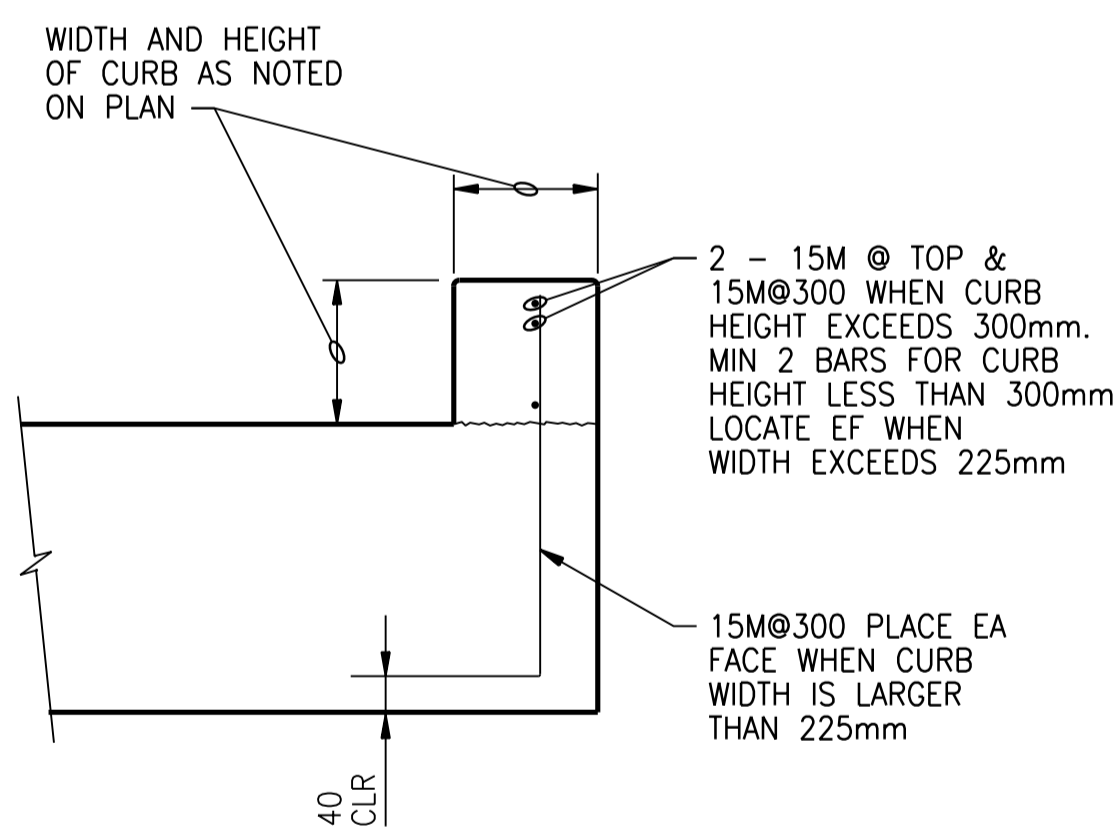
NTS (0330-077)



- NOTES:**
1. PROVIDE KEY FOR ALL FILL WHERE FILL SLOPE ANGLE TO WALL OR SLAB IS LESS THAN 45 DEGREES.
 2. LENGTHEN 90mm BLOCKOUT AS REQUIRED TO MAINTAIN 50mm MINIMUM THICKNESS OF GROUT OR CONCRETE FILL.

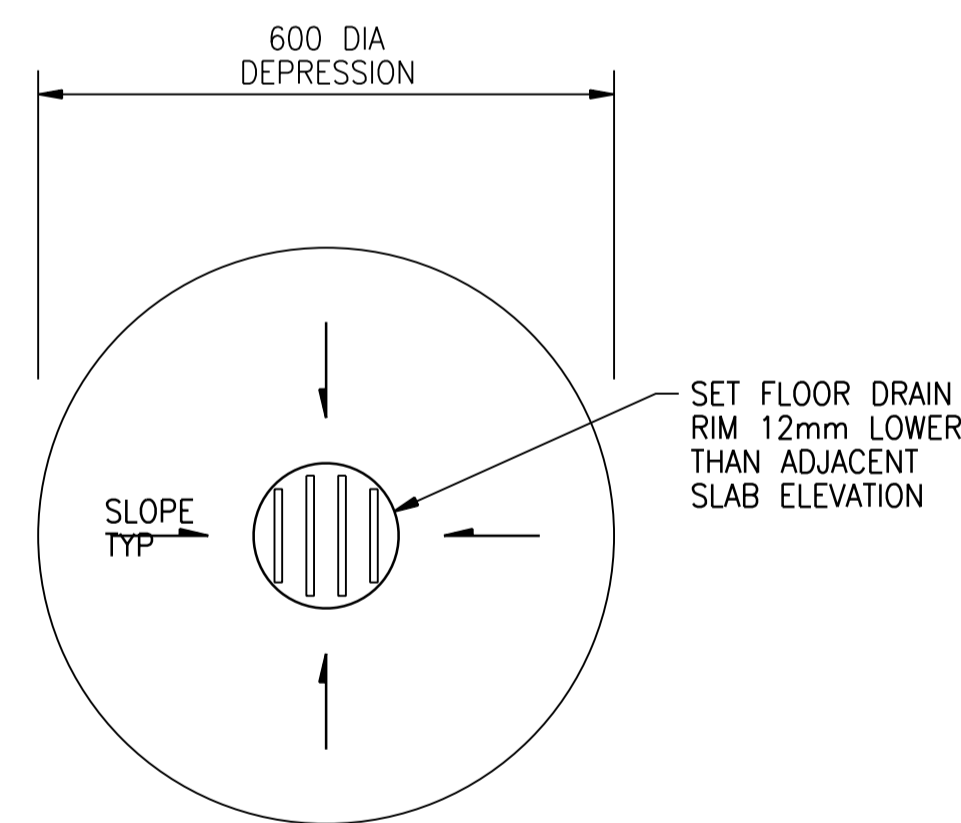
CONCRETE OR GROUT FILL KEY

NTS (0330-078)



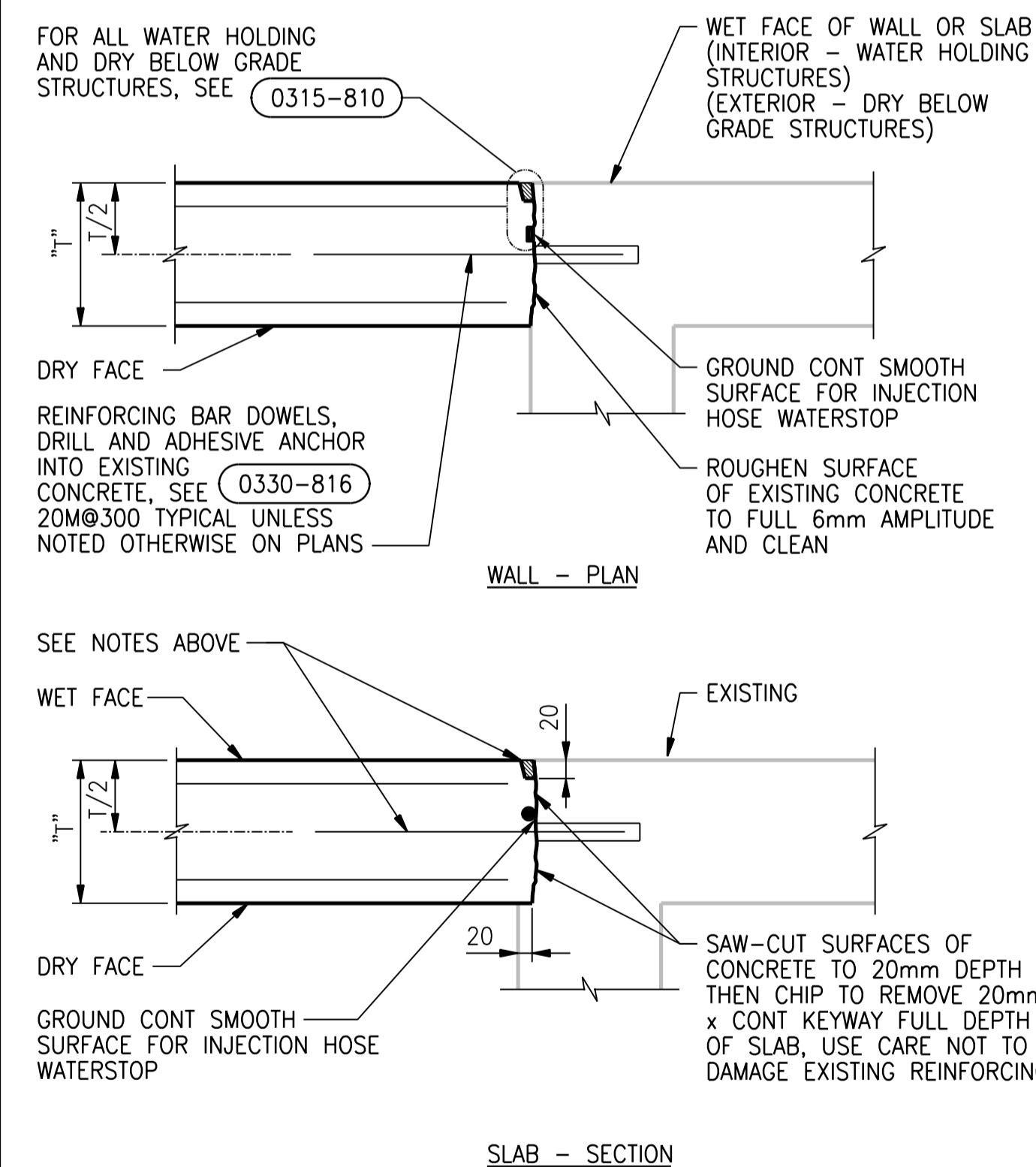
CONCRETE CURB

NTS (0330-080)



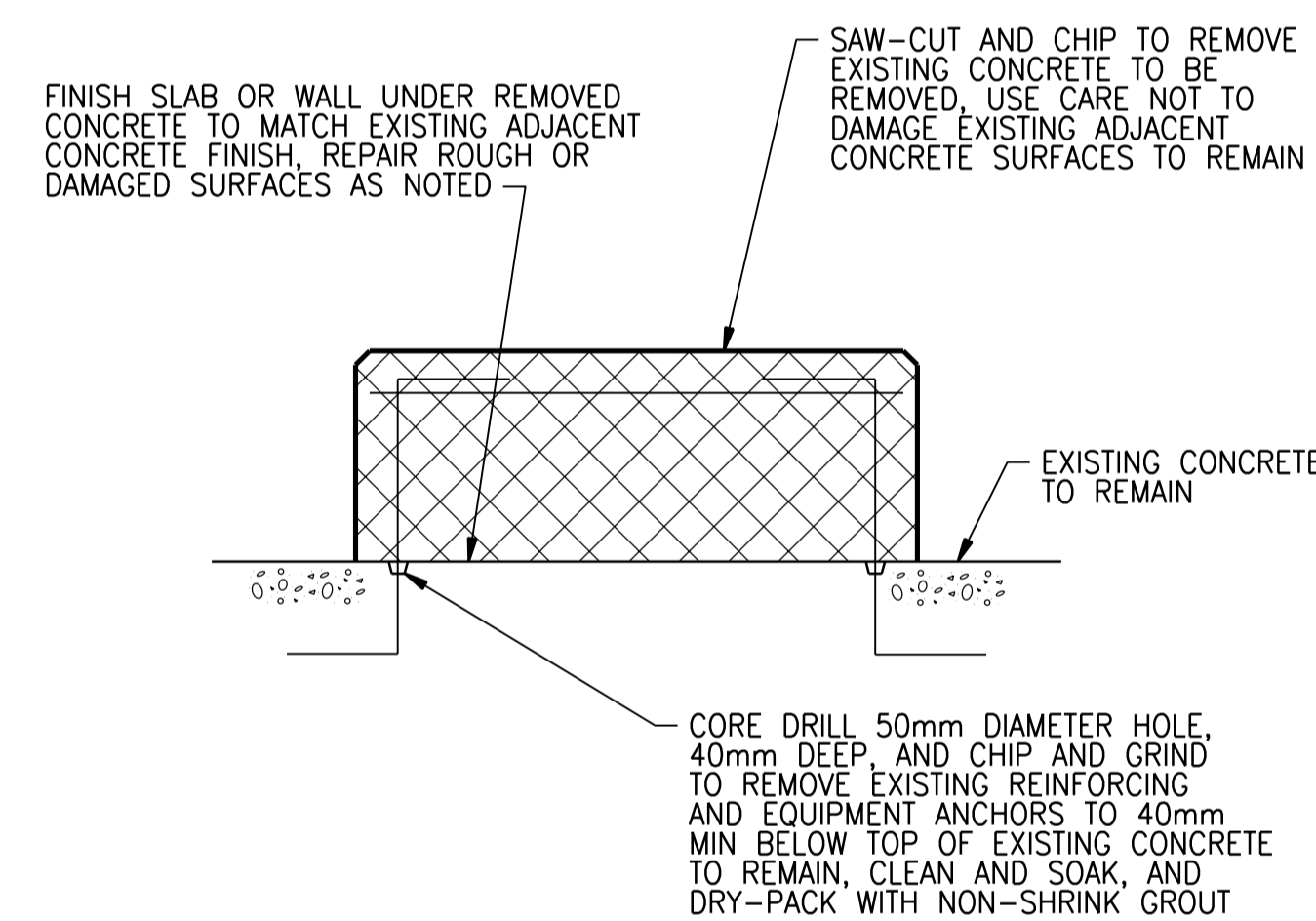
FLOOR DRAIN

NTS (0330-082)



CONNECTION OF NEW CONCRETE TO EXISTING

NTS (0330-101)



- NOTES:**
1. REMOVE CONCRETE OUT TO SOUND CONCRETE.
 2. IF CHIPPING INTO THE SURFACE OF THE EXISTING SLAB OR WALL TO REMAIN IS REQUIRED, MAKE EDGES PERPENDICULAR TO THE SURFACE. DO NOT FEATHER EDGES.
 3. FILL DEFECTIVE AREA WITH NON-SHRINK GROUT OR AN APPROVED PREPACKAGED PATCHING MATERIAL TO MATCH APPEARANCE OF ADJACENT CONCRETE SURFACES.
 4. USE APPROVED BONDING AGENT ON SURFACES TO BE PATCHED PRIOR TO PLACING NON-SHRINK GROUT.
 5. DEMONSTRATE METHODS FOR REPAIR USING ACTUAL MATERIALS, METHODS, AND CURING PROCEDURES REQUIRED BY MATERIAL MANUFACTURERS. CONSULT WITH BONDING AGENT MANUFACTURER AND NON-SHRINK GROUT MANUFACTURER ON TECHNIQUES.

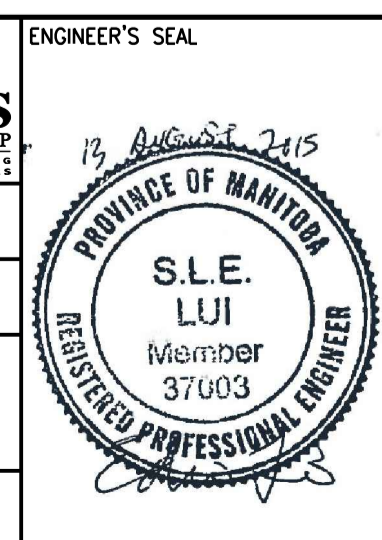
CONCRETE DEMOLITION

NTS (0330-143)



00	ISSUED FOR TENDER	08/2015	G.O. J.C.
NO.	REVISIONS	DATE	DESIGN CHECK

CH2MHILL.	
DESIGNED BY: E. LUJ	CHECKED BY: R. PARIKH
DRAWN BY: G. OMORI	APPROVED BY: E. LUJ
SCALE: NTS	ISSUED FOR CONSTRUCTION BY: T. TURZAK
DATE: 2015/08/13	DATE: 2015/08/13
CONSULTANT NO.: 474248	



THE CITY OF WINNIPEG
WATER AND WASTE DEPARTMENT

SOUTH END WATER POLLUTION CONTROL CENTRE
SEWPCC UPGRADE/EXPANSION PROJECT
STRUCTURAL
STANDARD DETAILS (5)

CITY DRAWING NUMBER: 1-0102-SDTL-A006
SHEET: 00
REV: A1
SIZE: A1