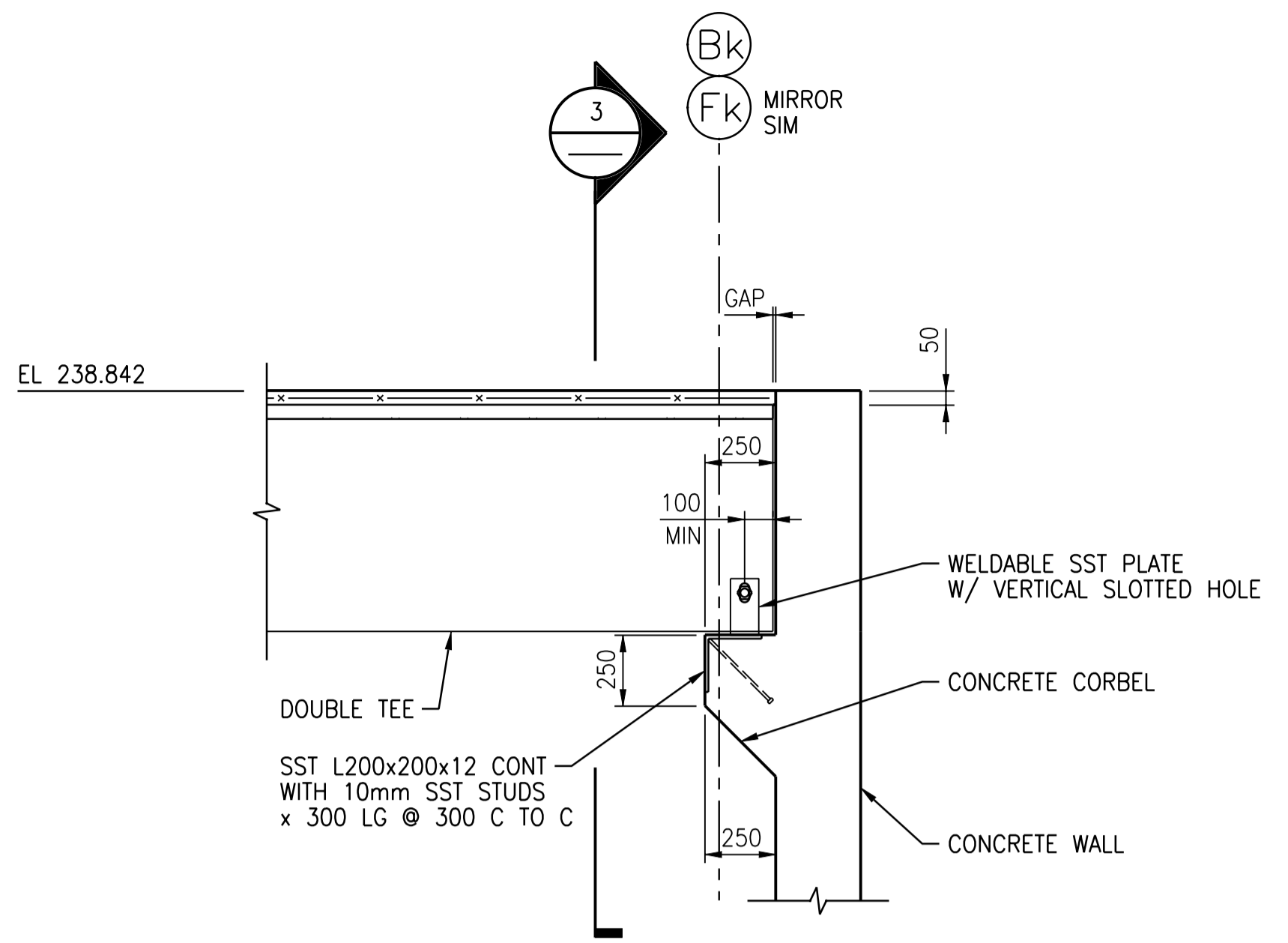
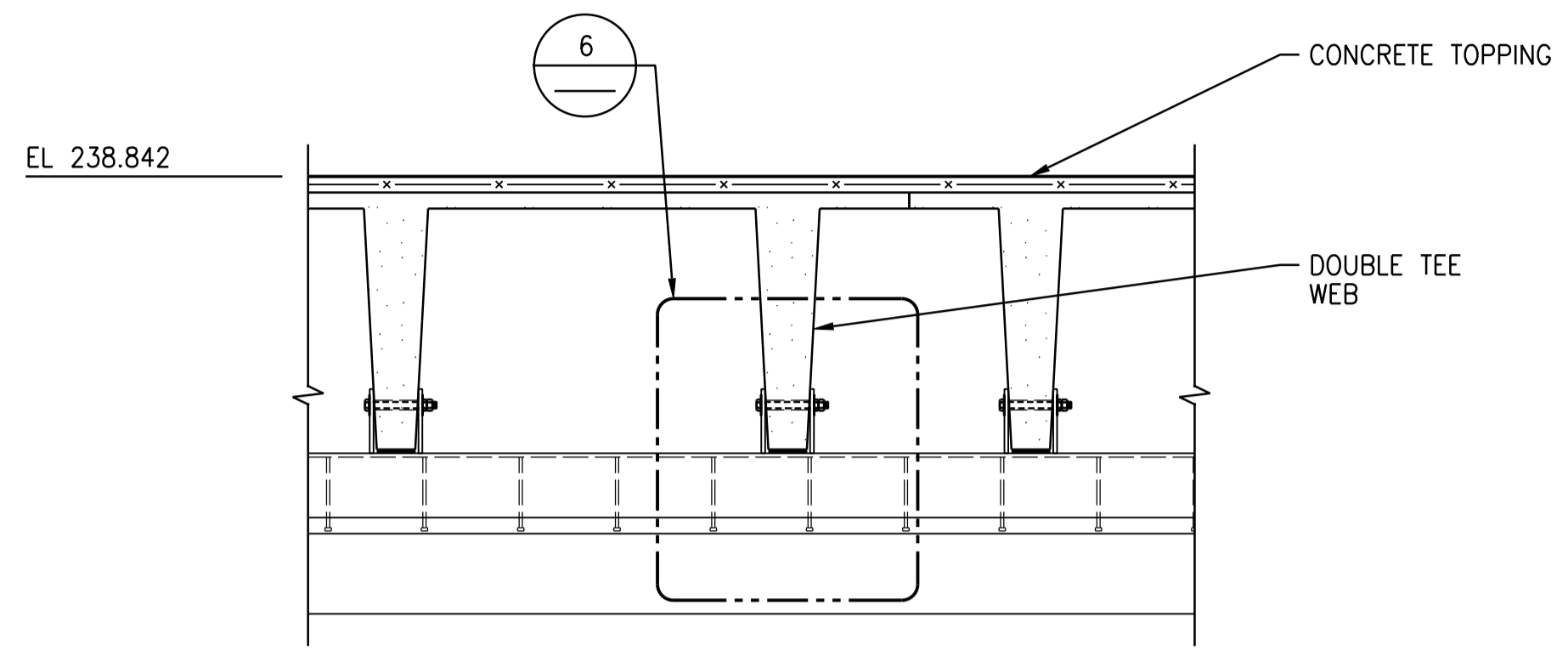


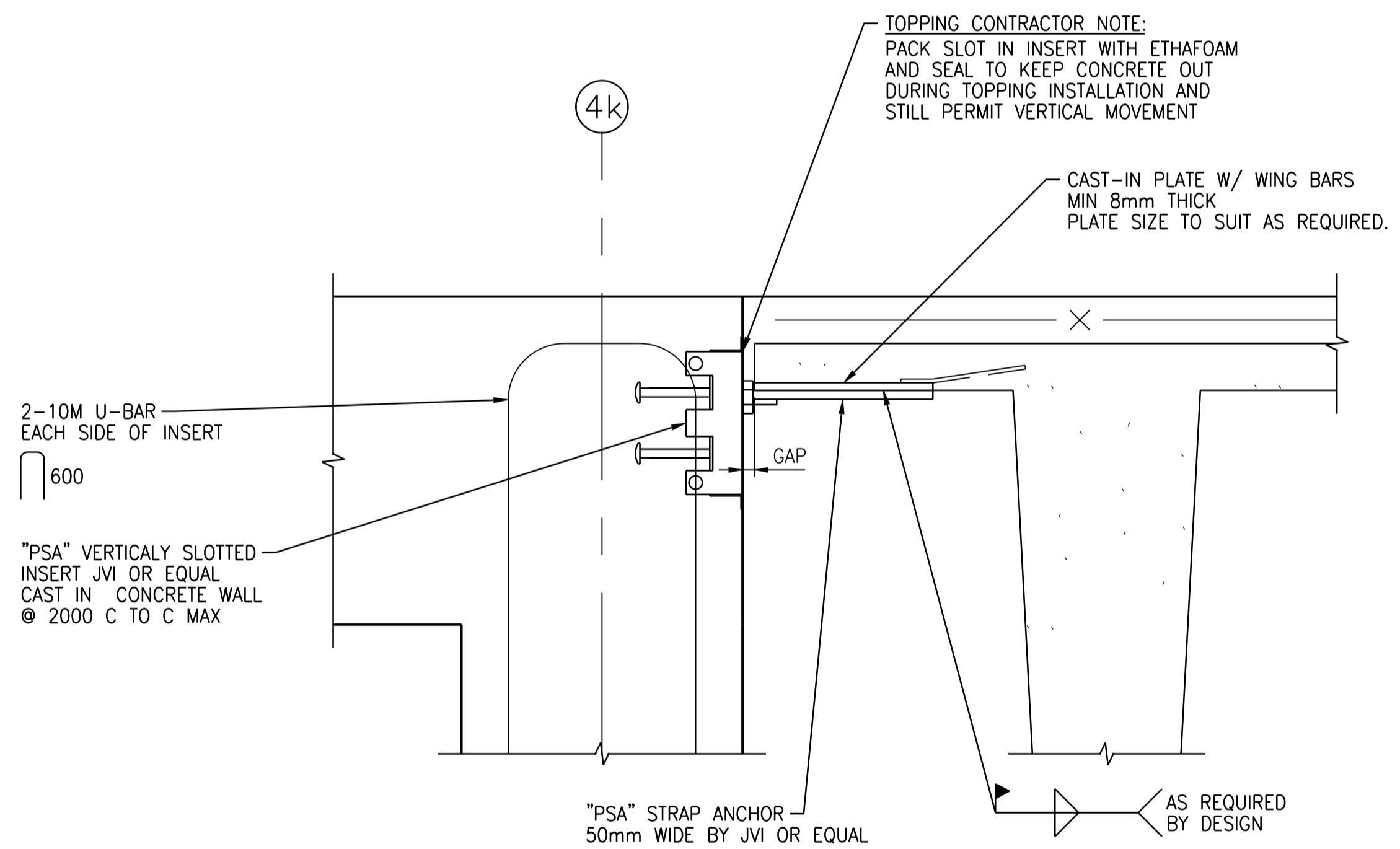
1 DETAIL
1:20
SGAD-K006,
SGAD-K007,
SGAD-K008,
SGAD-K011,
SGAD-K012,
SGAD-K013



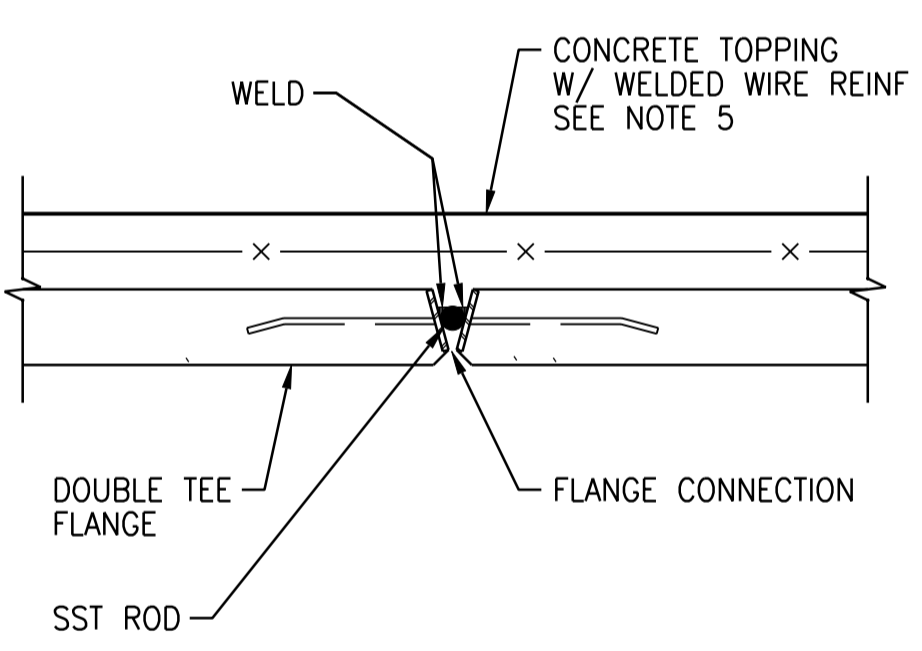
2 DETAIL
1:20
SGAD-K012



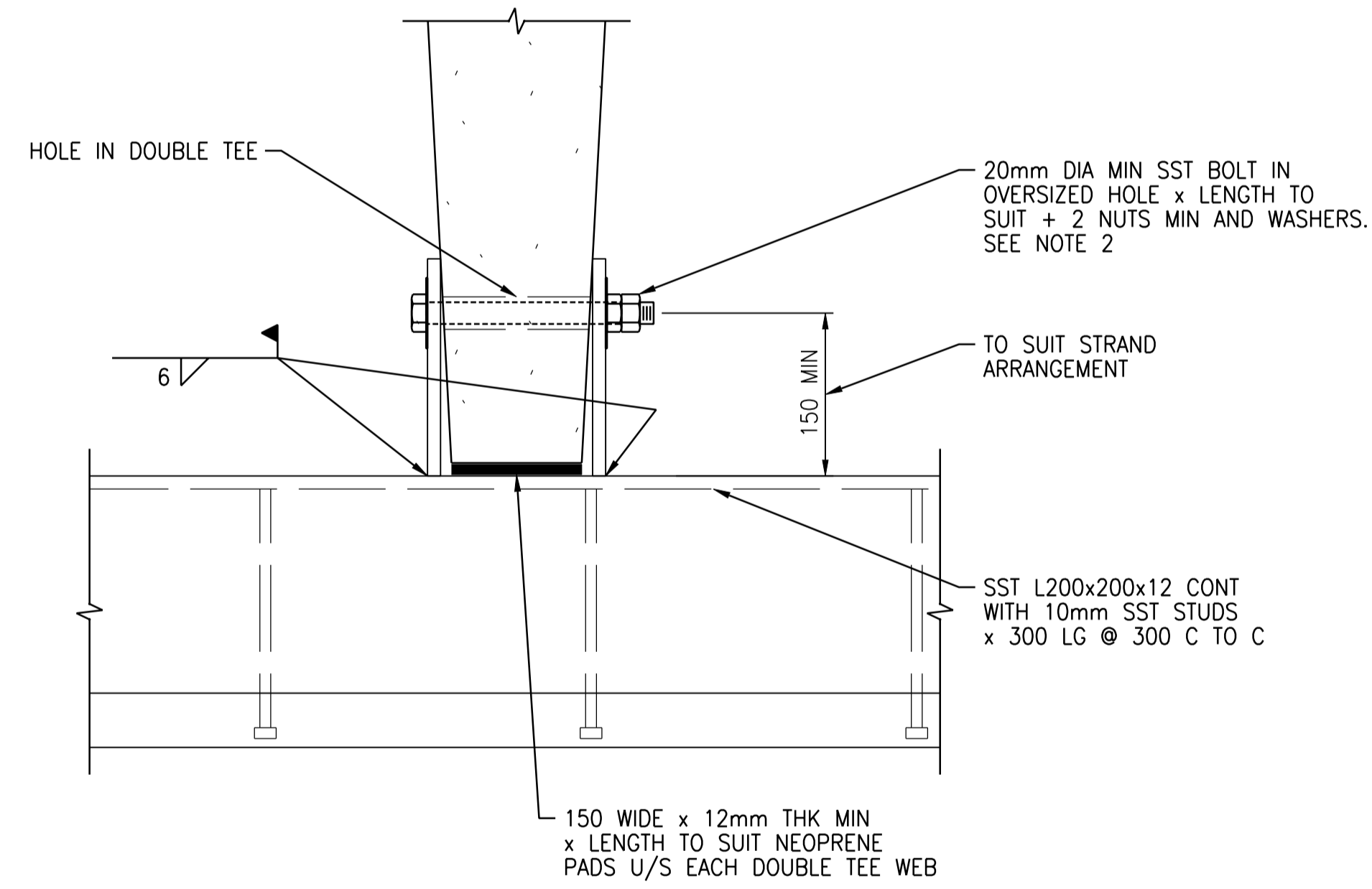
3 DETAIL
1:20



4 DETAIL
1:5



5 DETAIL
1:5



6 DETAIL
1:5

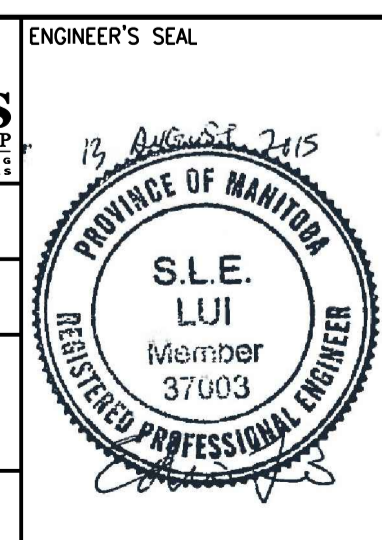
NOTES:

- GENERAL CONCEPT FOR CONNECTIONS SHOWN. MANUFACTURER SHALL DESIGN AND PROVIDE ALL CONNECTIONS.
- PROFESSIONAL ENGINEER FROM PRECAST SUPPLIER TO DESIGN AND PROVIDE APPROPRIATE SIZES PER THEIR DESIGN. GIVEN VALUES ARE MINIMUM REQUIREMENTS.
- COORDINATE FINAL LOCATIONS AND DETAILS WITH CONTRACT ADMINISTRATOR.
- ALL PLATES, ANGLES, CONNECTIONS, ETC. EXCEPT SST HARDWARE SHALL BE HOT-DIP GALVANIZED.
- PROVIDE CONCRETE TOPPING MINIMUM 50mm THICK OVER ENTIRE PRECAST FLAT ROOF. REINFORCE WITH WELDED WIRE REINFORCEMENT 102 x 102 x MW25.4 x MW25.4.
- COORDINATE HANGER SUPPORT CONNECTIONS WITH PRECAST MANUFACTURER. PORTION OF SUPERIMPOSED DEAD LOAD ALLOWANCE FOR PIPES, DUCTS, TRAYS, ETC. IS 1.0 kPa.



NO.	REVISIONS	DATE	DESIGN	CHECK
00	ISSUED FOR TENDER	08/2015	G.O.	J.C.

CH2MHILL.	
DESIGNED BY: E. LUJ	CHECKED BY: R. PARIKH
DRAWN BY: G. OMORI	APPROVED BY: E. LUJ
SCALE: AS NOTED	ISSUED FOR CONSTRUCTION BY: T. TURZAK
DATE: 2015/08/13	DATE: 2015/08/13
CONSULTANT NO.: 474248	



THE CITY OF WINNIPEG
Winnipeg WATER AND WASTE DEPARTMENT

SOUTH END WATER POLLUTION CONTROL CENTRE
SEWPCC UPGRADING/EXPANSION PROJECT
STRUCTURAL
HIGH RATE CLARIFICATION BUILDING
PRECAST DOUBLE TEE ROOF DETAILS

CITY DRAWING NUMBER: 1-0102-SDTL-K001
SHEET: 00
REV: 00
SIZE: A1