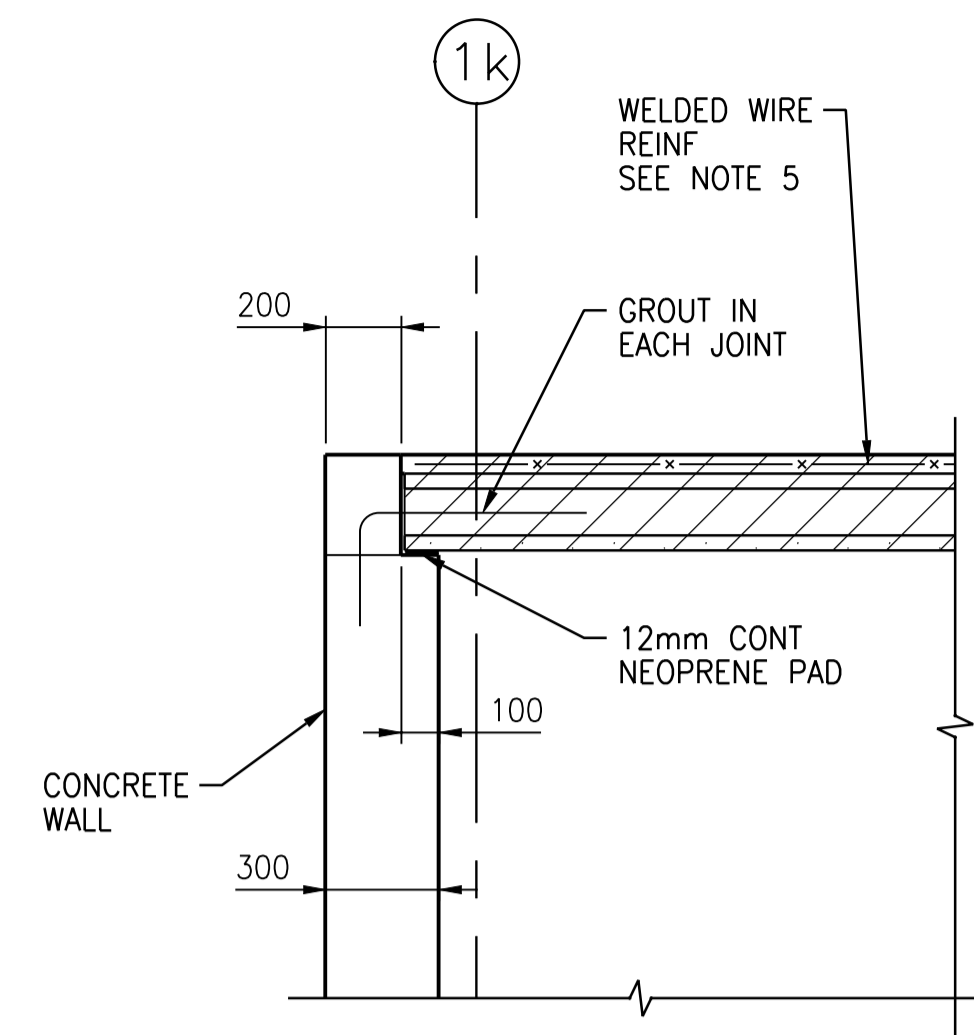
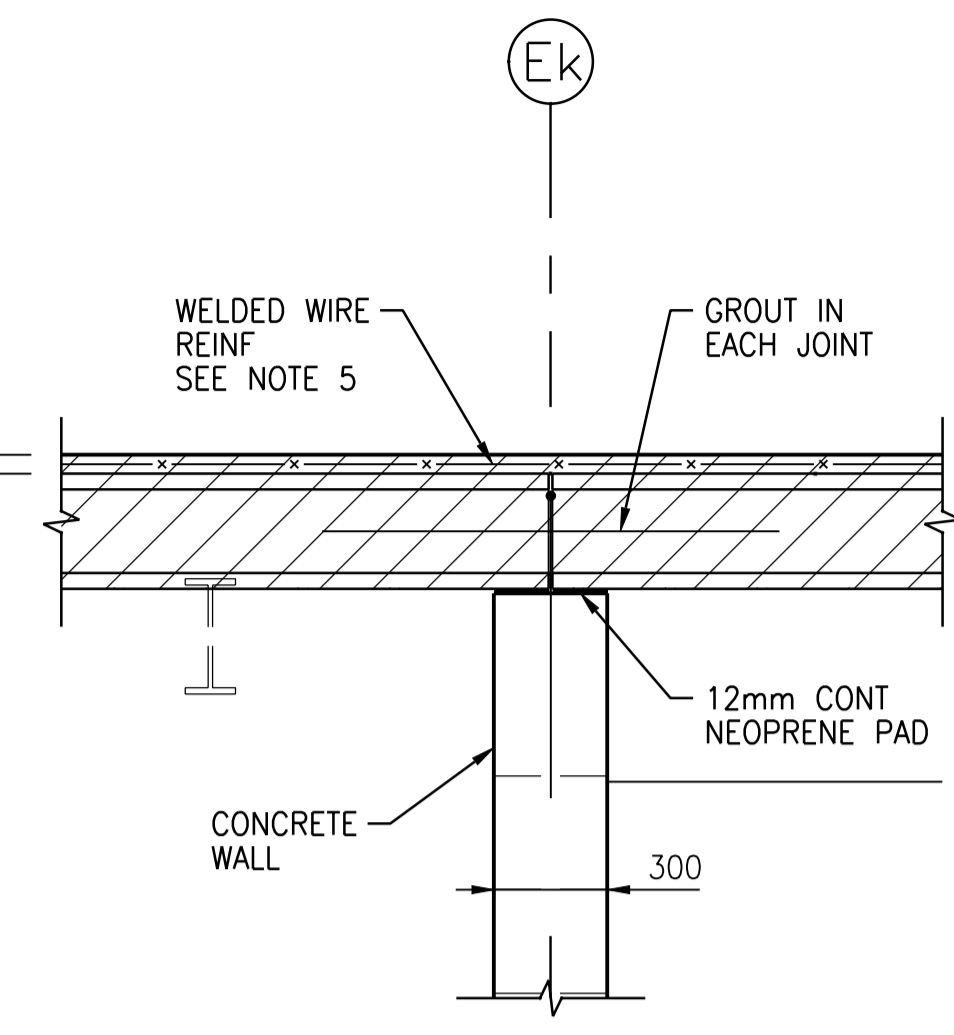


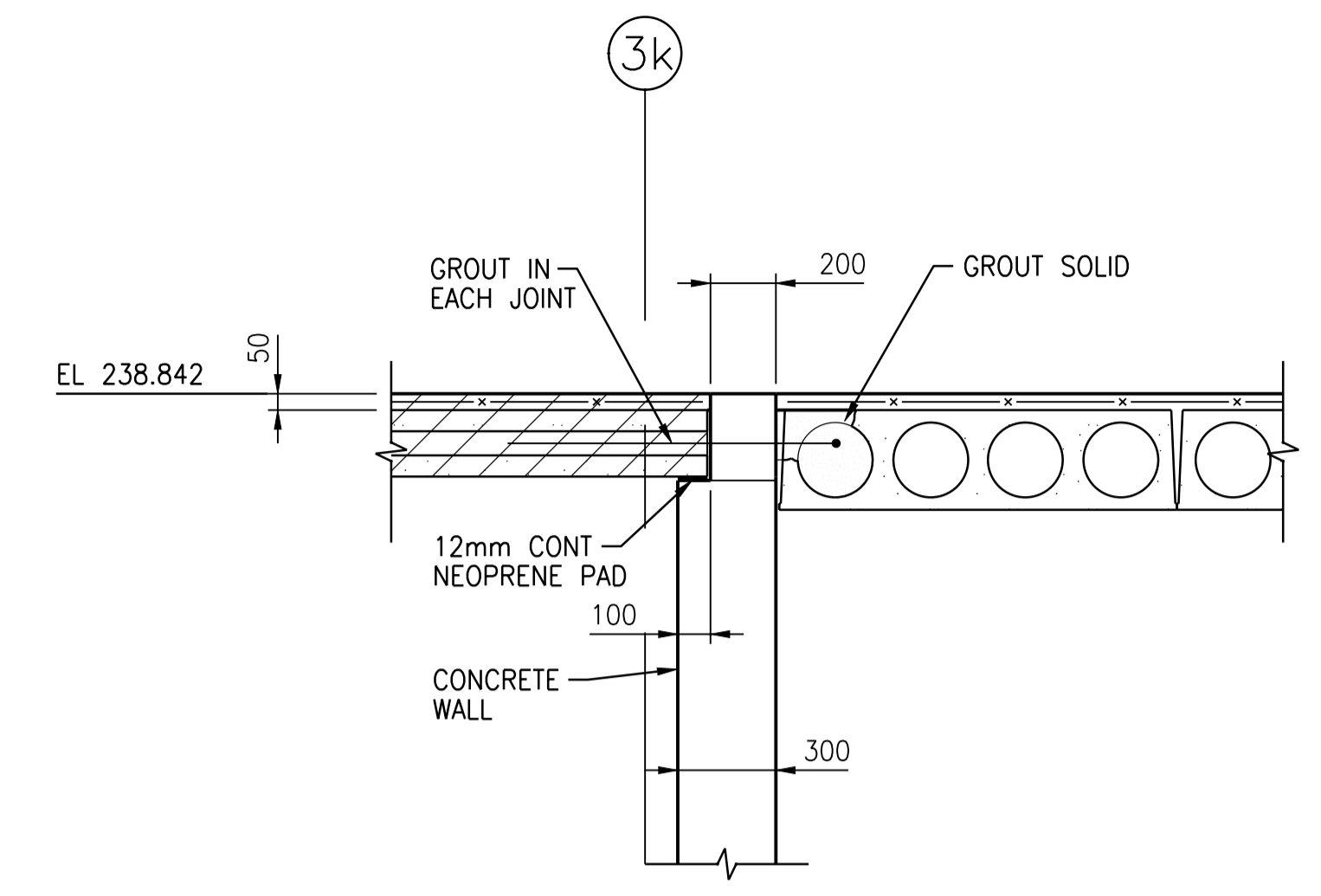
1 DETAIL
1:20
SGAD-K006,
SGAD-K008,
SGAD-K009



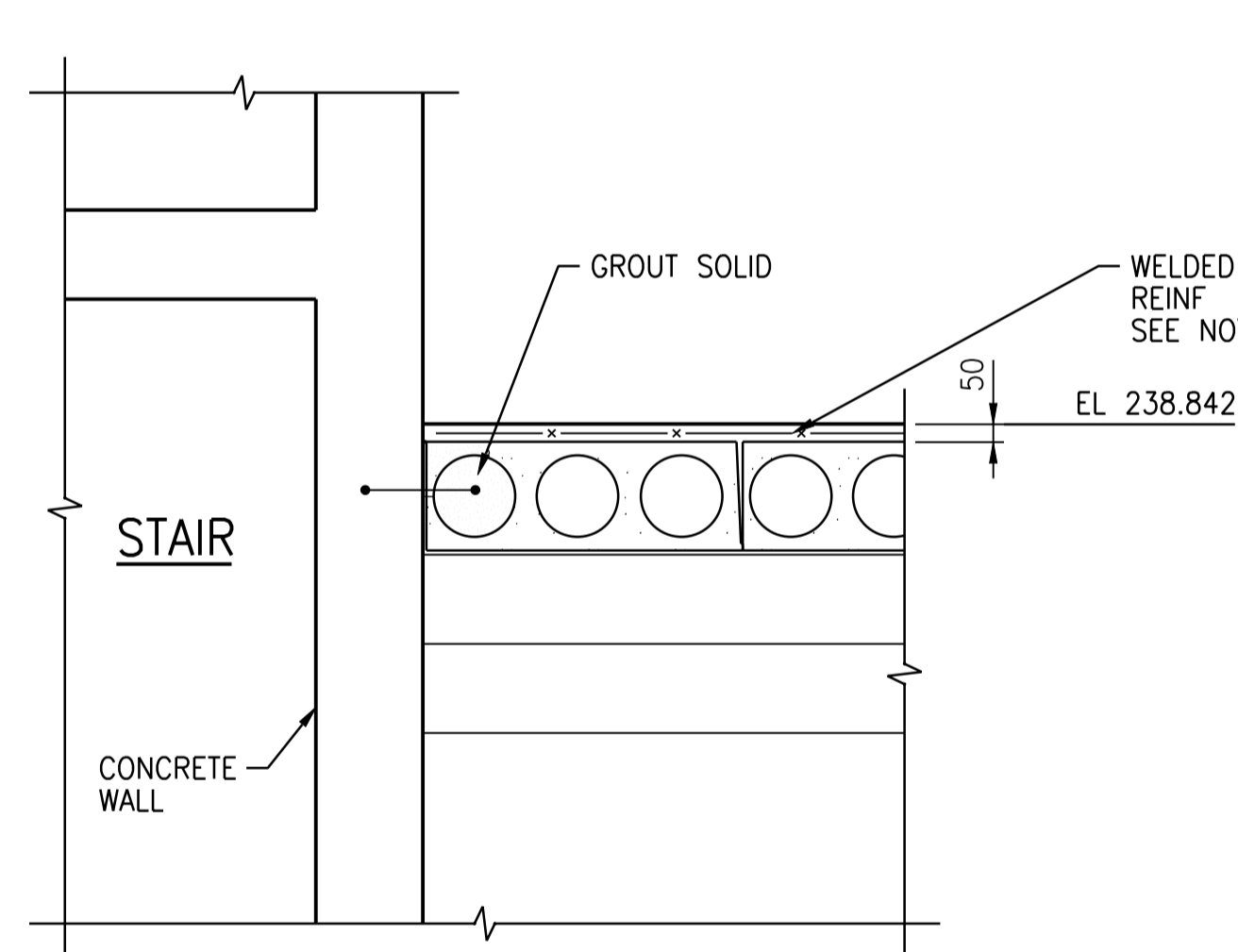
2 DETAIL
1:20
SGAD-K006,
SGAD-K008,
SGAD-K015,
SGAD-K017,
SGAD-K018



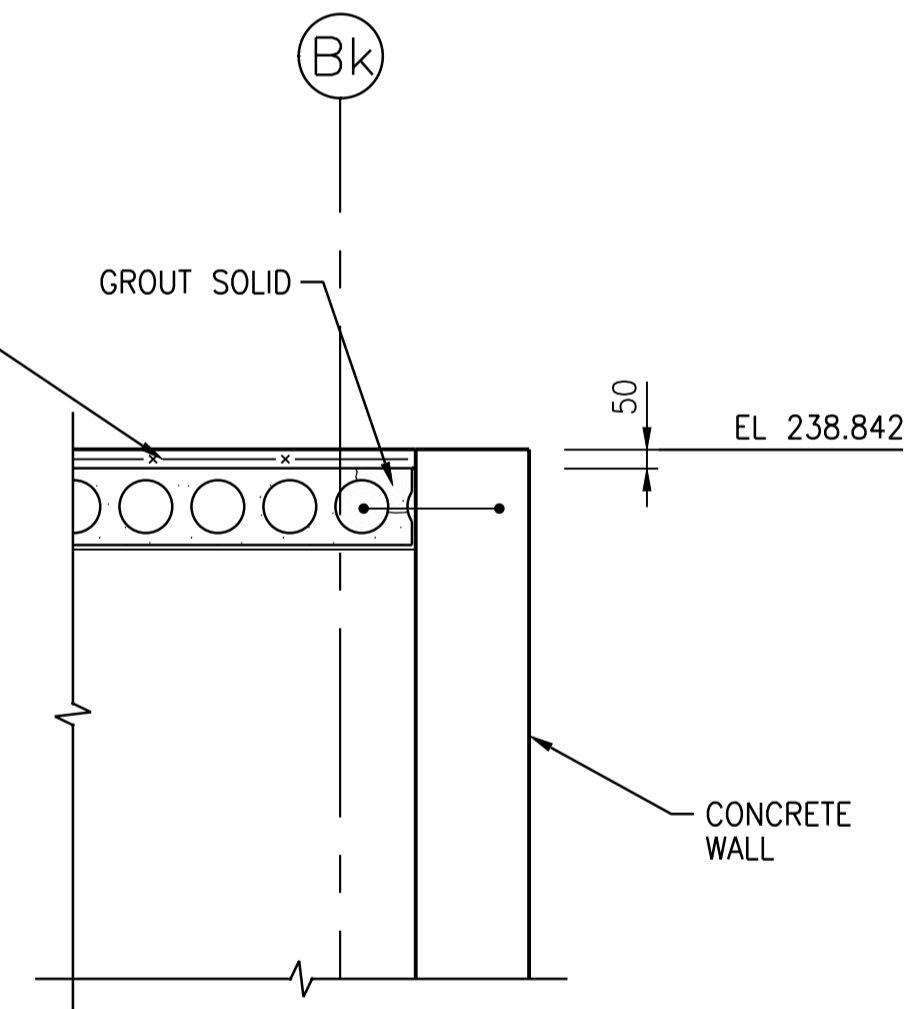
3 DETAIL
1:20
SGAD-K010



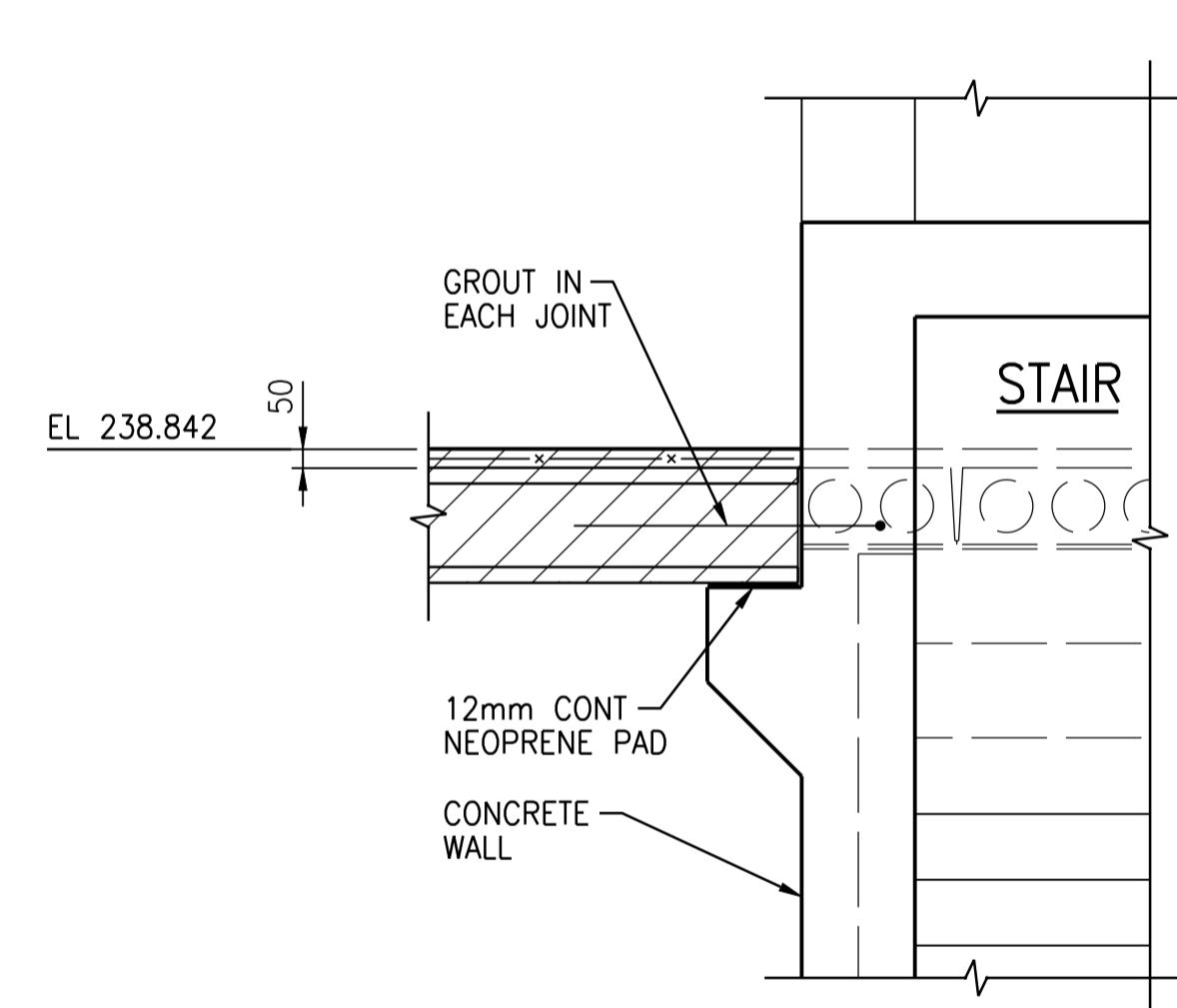
4 DETAIL
1:20
SGAD-K008,
SGAD-K015,
SGAD-K017,
SGAD-K018



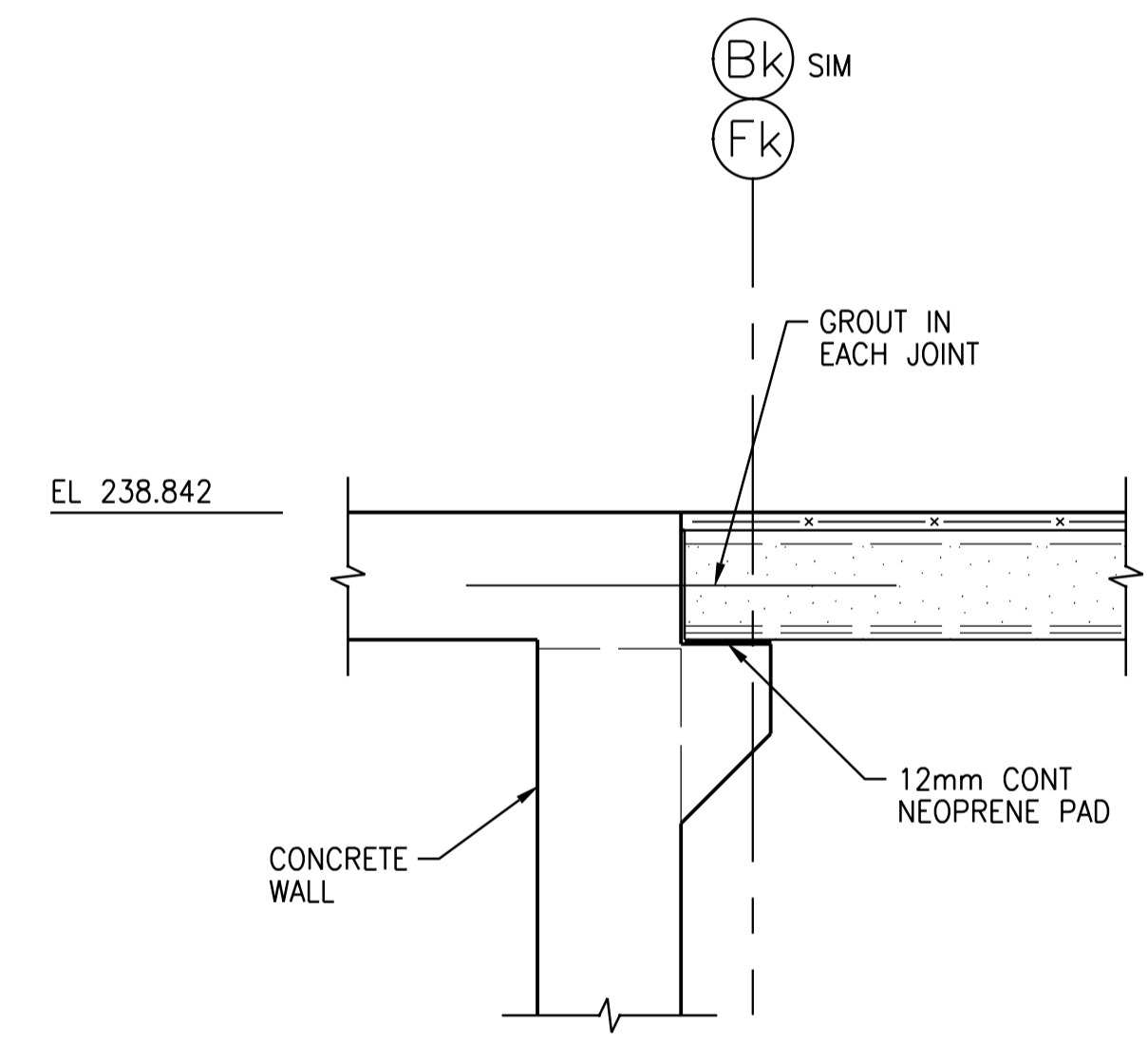
5 DETAIL
1:20
SGAD-K006



6 DETAIL
1:20
SGAD-K009,
SGAD-K016



7 DETAIL
1:20
SGAD-K006,
SGAD-K010



8 DETAIL
1:20
SGAD-K004

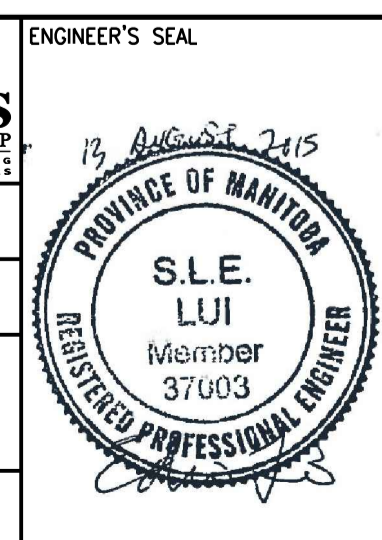
NOTES:

- GENERAL CONCEPT FOR CONNECTIONS SHOWN. MANUFACTURER SHALL DESIGN AND PROVIDE ALL CONNECTIONS.
- PROFESSIONAL ENGINEER FROM PRECAST SUPPLIER TO DESIGN AND PROVIDE APPROPRIATE SIZES PER THEIR DESIGN. GIVEN VALUES ARE MINIMUM REQUIREMENTS.
- COORDINATE FINAL LOCATIONS AND DETAILS WITH CONTRACT ADMINISTRATOR.
- ALL PLATES, ANGLES, CONNECTIONS, ETC. EXCEPT SST HARDWARE SHALL BE HOT-DIP GALVANIZED.
- PROVIDE CONCRETE TOPPING MINIMUM 50mm THICK OVER ENTIRE PRECAST FLAT ROOF. REINFORCE WITH WELDED WIRE REINFORCEMENT 102 x 102 x MW25.4 x MW25.4.
- COORDINATE HANGER SUPPORT CONNECTIONS WITH PRECAST MANUFACTURER. PORTION OF SUPERIMPOSED DEAD LOAD ALLOWANCE FOR PIPES, DUCTS, TRAYS, ETC. IS 1.0 kPa.



00	ISSUED FOR TENDER	08/2015	G.O.	J.C.
NO.	REVISIONS	DATE	DESIGN	CHECK

CH2MHILL.		KCS GROUP CONSULTANTS	
DESIGNED BY: E. LUI	CHECKED BY: R. PARIKH	ISSUED FOR CONSTRUCTION BY: T. TURZAK	DATE: 2015/08/13
DRAWN BY: G. OMORI	APPROVED BY: E. LUI	DATE: 2015/08/13	CONSULTANT NO.: 474248
SCALE: AS NOTED			



THE CITY OF WINNIPEG WATER AND WASTE DEPARTMENT		
SOUTH END WATER POLLUTION CONTROL CENTRE SEWPCC UPGRADING/EXPANSION PROJECT STRUCTURAL HIGH RATE CLARIFICATION BUILDING PRECAST HOLLOW CORE ROOF DETAILS		
CITY DRAWING NUMBER 1-0102-SDTL-K002	SHEET 00	REV. SIZE A1