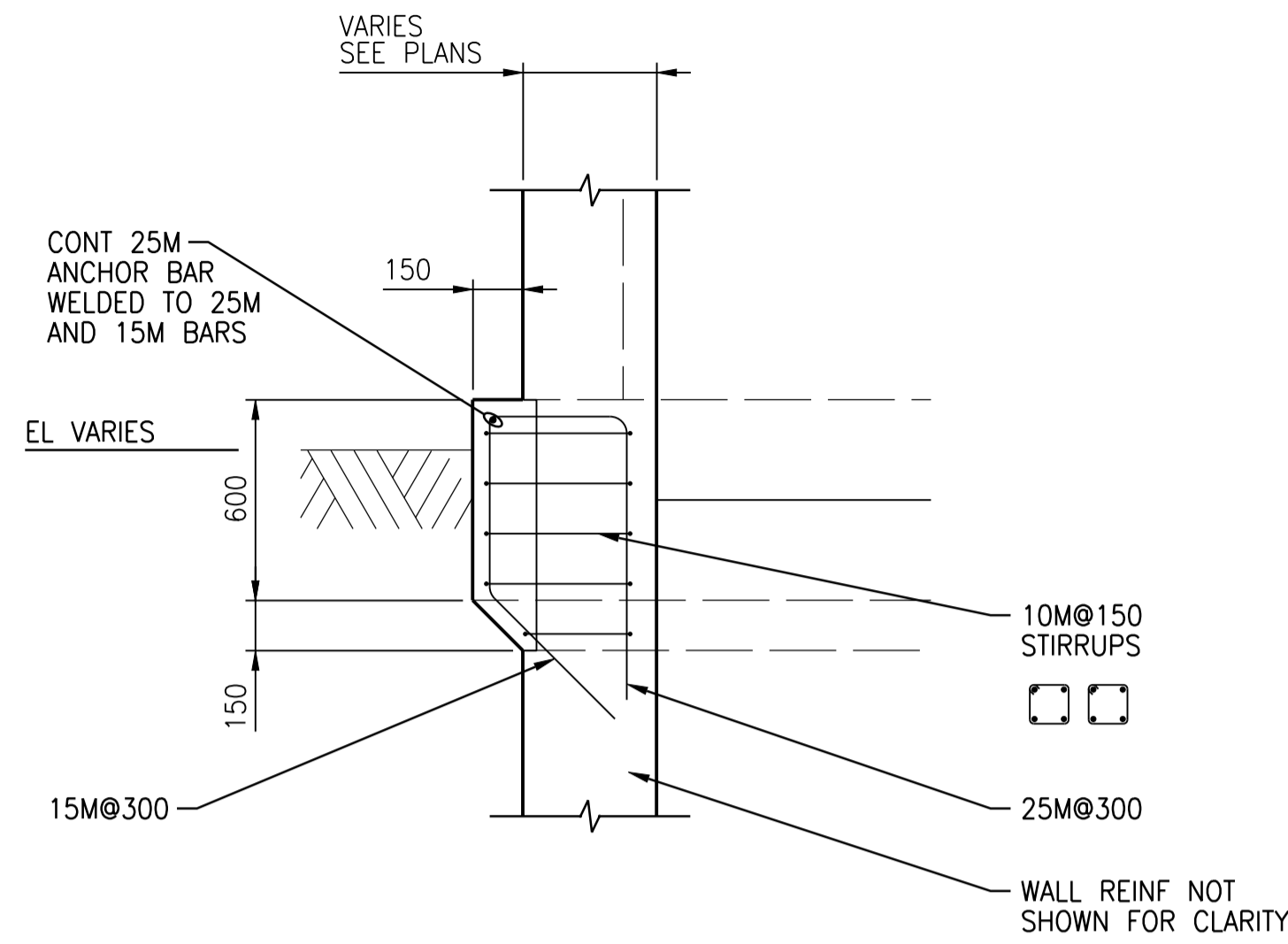
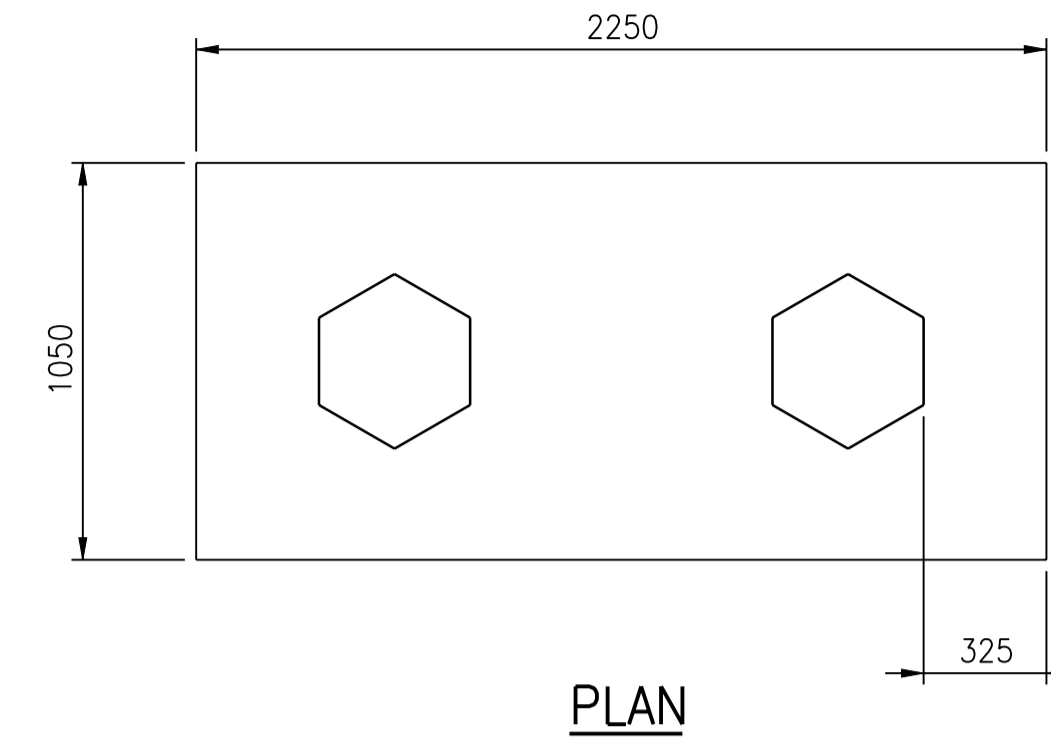


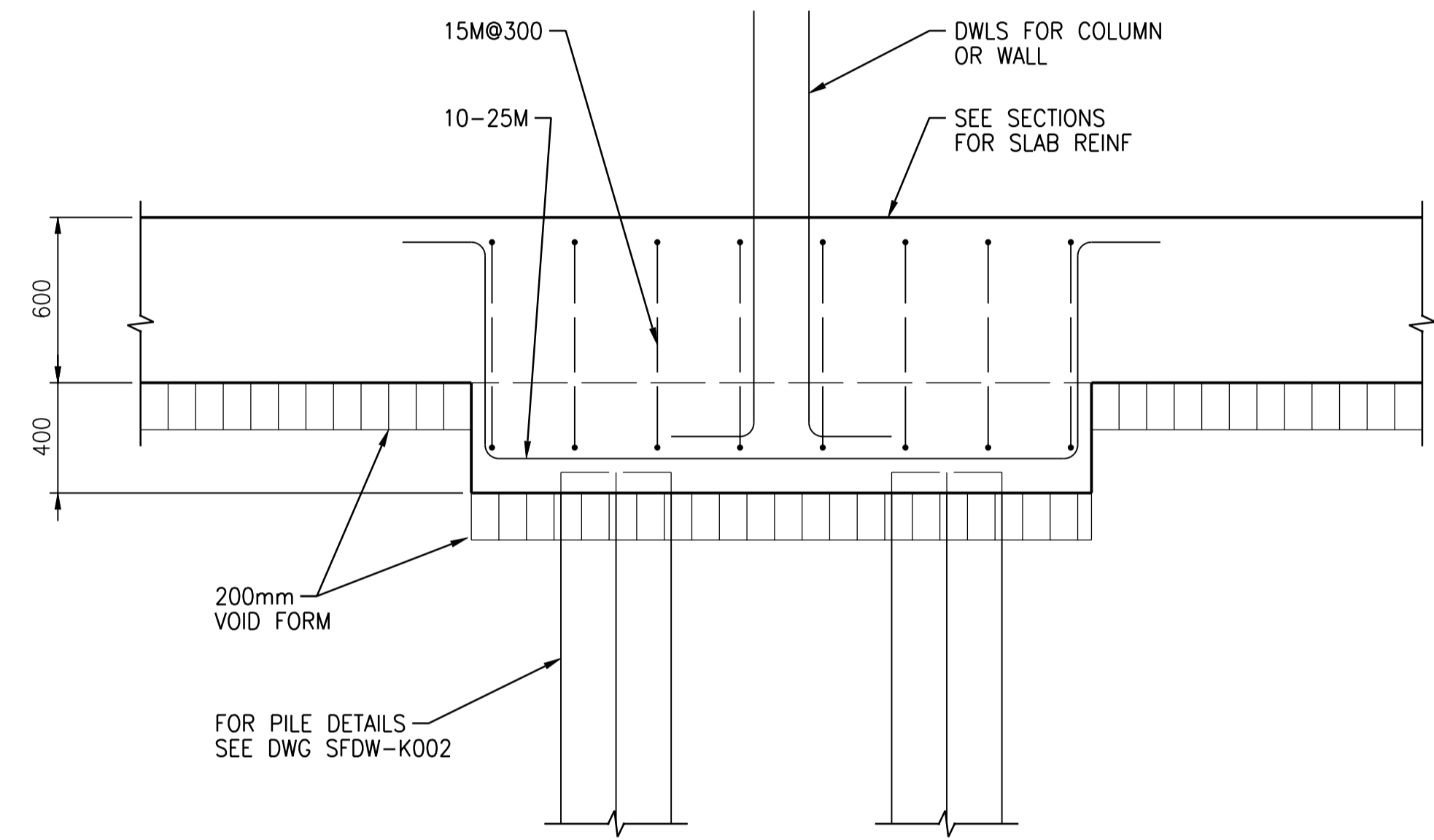
**1** DETAIL  
1:20  
SGAD-K006,  
SGAD-K010,  
SGAD-K011



**2** DETAIL  
1:20  
SGAD-K006,  
SGAD-K007,  
SGAD-K008,  
SGAD-K010,  
SGAD-K011,  
SGAD-K018,  
SGAD-K019,  
SGAD-K020

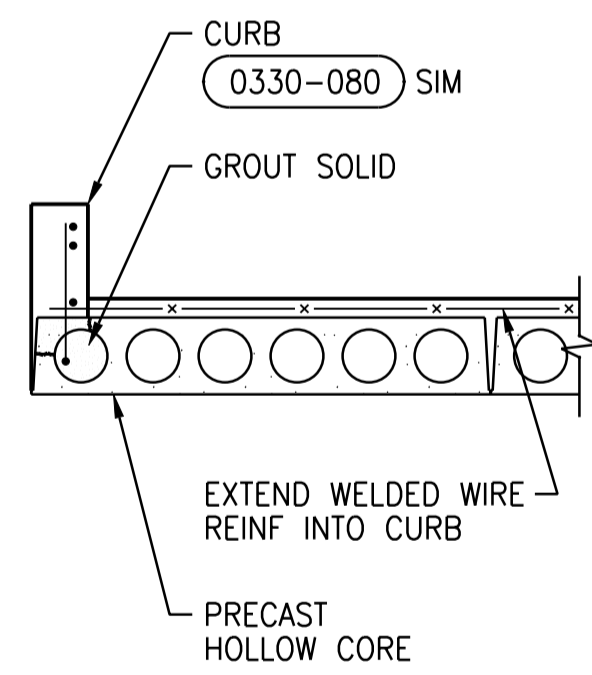


PLAN

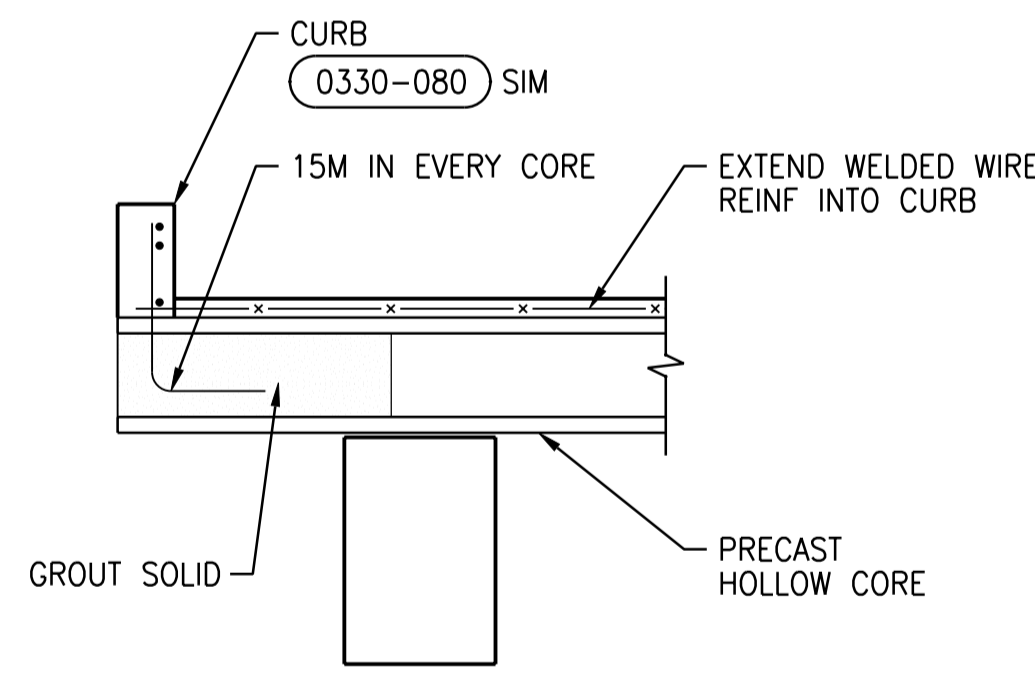


SECTION

**3** PILE CAP DETAIL  
1:20



**4** DETAIL  
1:20  
SGAD-K009,  
SGAD-K016

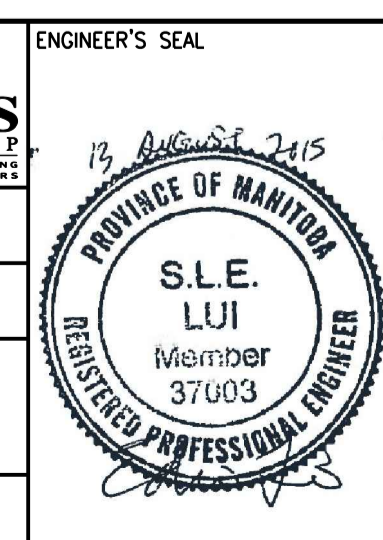


**5** DETAIL  
1:20  
SGAD-K010



NO.	REVISIONS	DATE	DESIGN	CHECK
00	ISSUED FOR TENDER	08/2015	G.O.	J.C.

<b>CH2MHILL.</b>		<b>KCS GROUP CONSULTING ENGINEERS</b>	
DESIGNED BY: E. LUI	CHECKED BY: R. PARIKH	ISSUED FOR CONSTRUCTION BY: T. TURZAK	DATE: 2015/08/13
DRAWN BY: G. OMORI	APPROVED BY: E. LUI	DATE: 2015/08/13	CONSULTANT NO.: 474248
SCALE: 1:20			



**THE CITY OF WINNIPEG**  
WATER AND WASTE DEPARTMENT

SOUTH END WATER POLLUTION CONTROL CENTRE  
SEWPCC UPGRADING/EXPANSION PROJECT  
STRUCTURAL  
HIGH RATE CLARIFICATION BUILDING  
DETAILS

CITY DRAWING NUMBER: 1-0102-SDTL-K003  
SHEET: 00  
REV: 00  
SIZE: A1