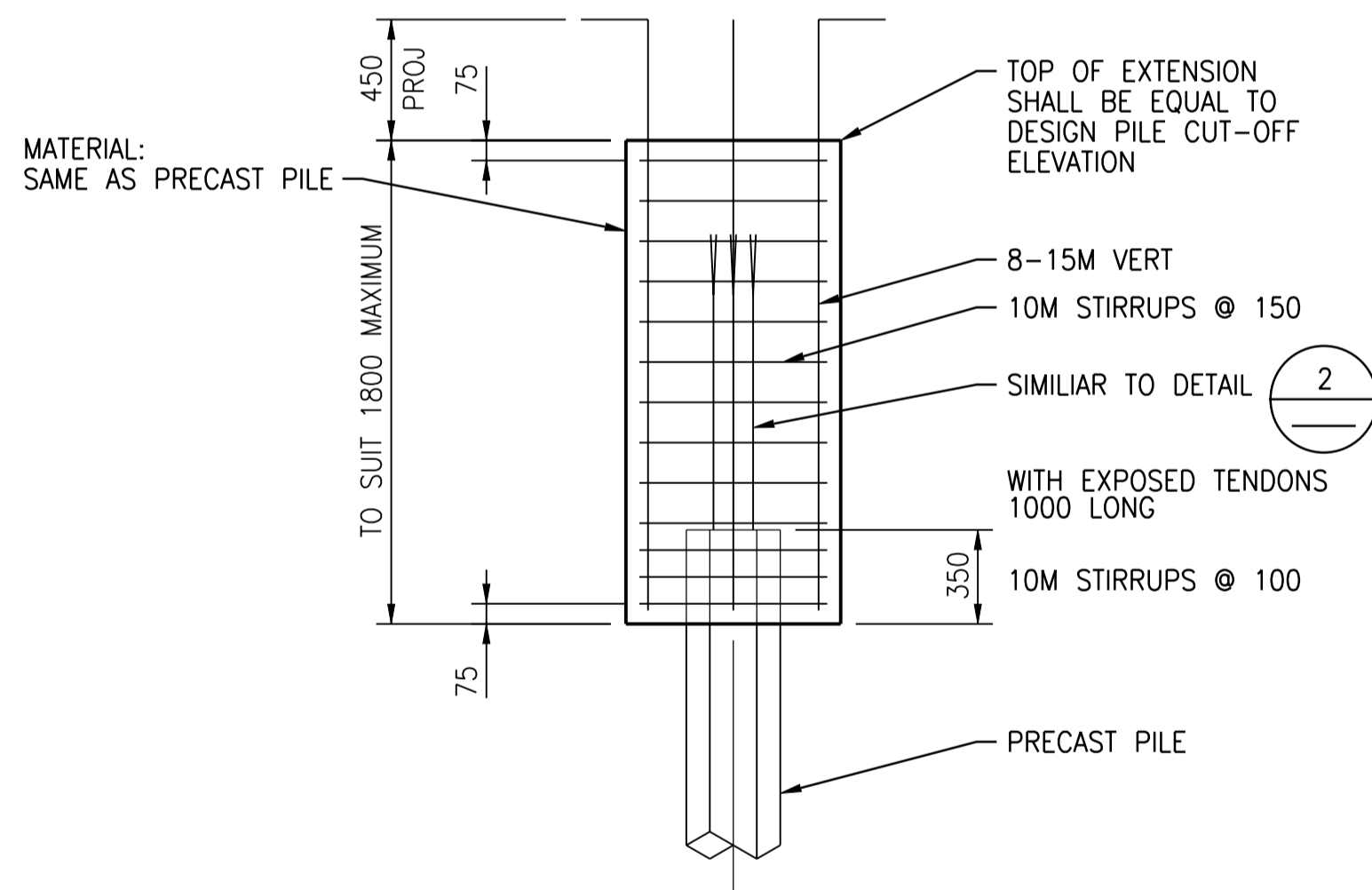
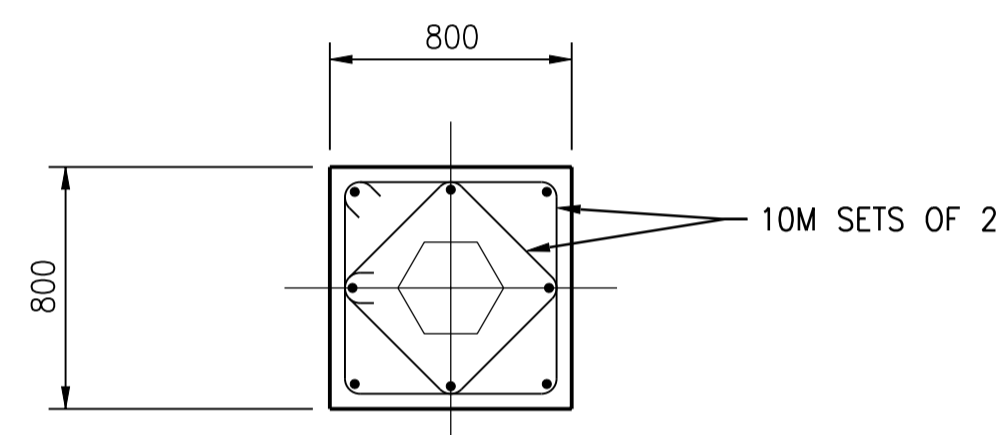


TYPICAL PILE CUT-OFF

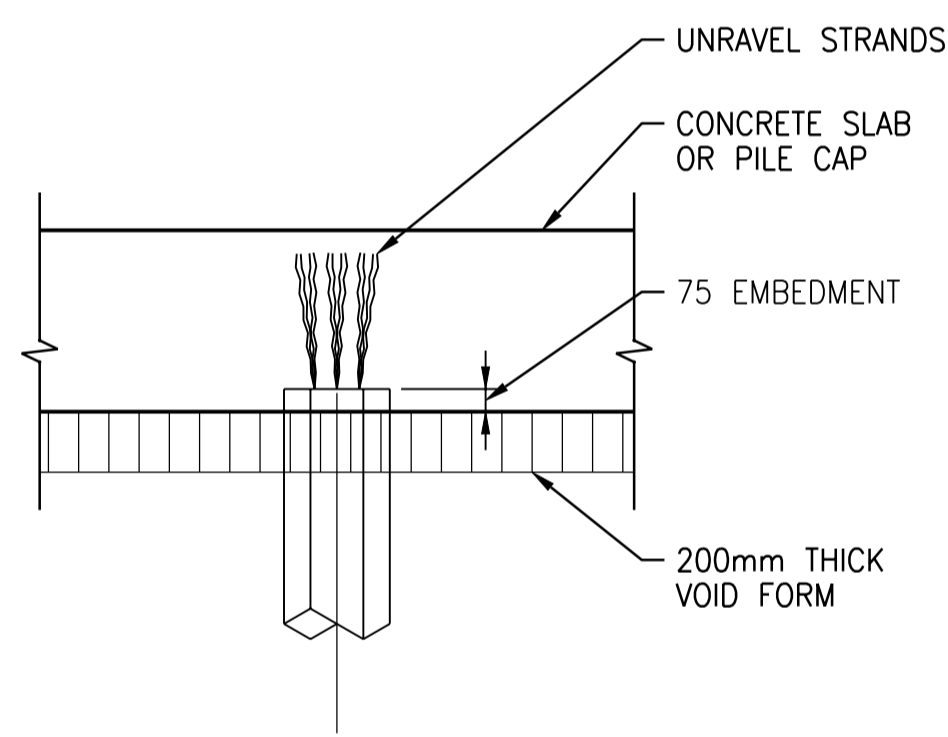
DETAIL 2
1:25



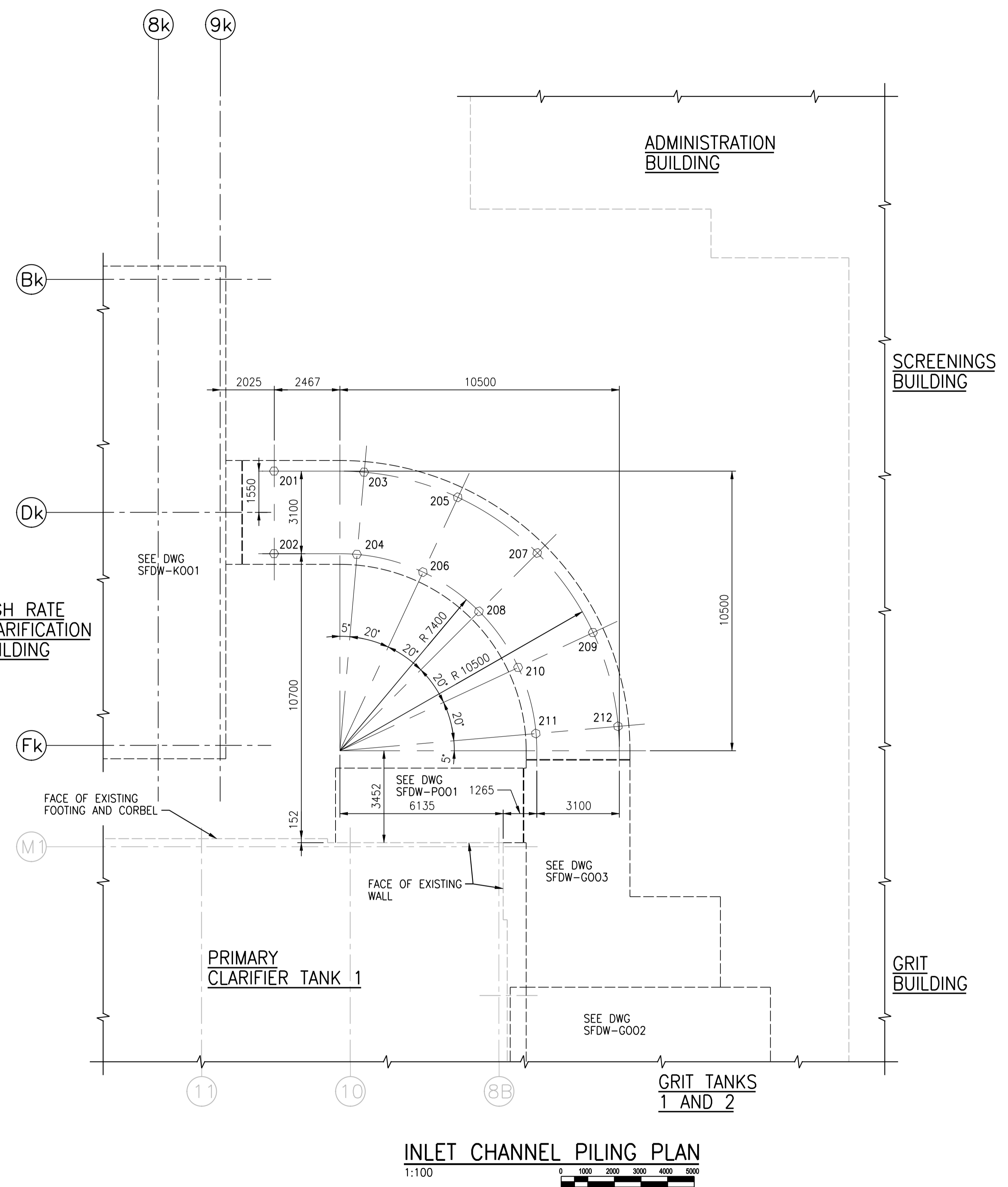
NOTE:
1. THIS PILE EXTENSION DETAIL APPLIES TO PILES DRIVEN A MAXIMUM OF 900mm LOWER THAN EXPECTED.

TYPICAL CAST IN PLACE PILE EXTENSION

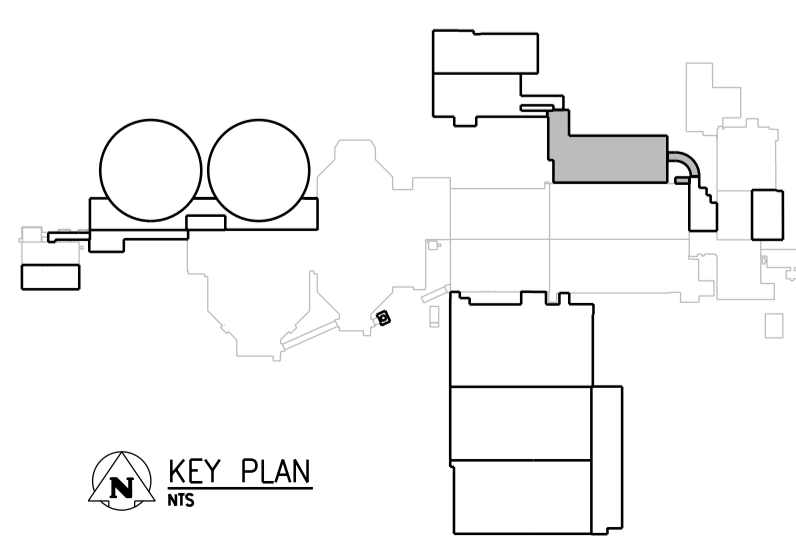
DETAIL 3
1:25



DETAIL 4
1:25



INLET CHANNEL PILING PLAN
1:100



NOTES:

- REFER TO DWG 1-0102-SOTL-A001 FOR GENERAL NOTES.
- PILE DIAMETER (D) = 300mm FOR INLET CHANNEL
- PILES CUT-OFF ELEVATION = 231.975 FOR INLET CHANNEL.
- ESTIMATED PILE REFUSAL EL 212.000



NO.	REVISIONS	DATE	DESIGN	CHECK
00	ISSUED FOR TENDER	08/2015	G.O.	J.C.

CH2MHILL.		KCS GROUP CONSULTING	
DESIGNED BY: E. LUJ	CHECKED BY: R. PARIKH	ENGINEER'S SEAL	
DRAWN BY: G. OMORI	APPROVED BY: E. LUJ	13 AUG 2015 PROVINCE OF MANITOBA S.L.E. LUJ Member 37003 REGISTERED PROFESSIONAL ENGINEER	
SCALE: 1:100	ISSUED FOR CONSTRUCTION BY: T. TURZAK	DATE: 2015/08/13	
DATE: 2015/08/13	DATE: 2015/08/13	CONSULTANT NO.: 474248	

0	1000	2000	3000	4000	5000
---	------	------	------	------	------

THE CITY OF WINNIPEG WATER AND WASTE DEPARTMENT SOUTH END WATER POLLUTION CONTROL CENTRE SEWPC UPGRADING/EXPANSION PROJECT STRUCTURAL HIGH RATE CLARIFICATION BUILDING INLET CHANNEL PILING PLAN			
CITY DRAWING NUMBER 1-0102-SFDW-K002	SHEET 00	REV. A1	SIZE A1