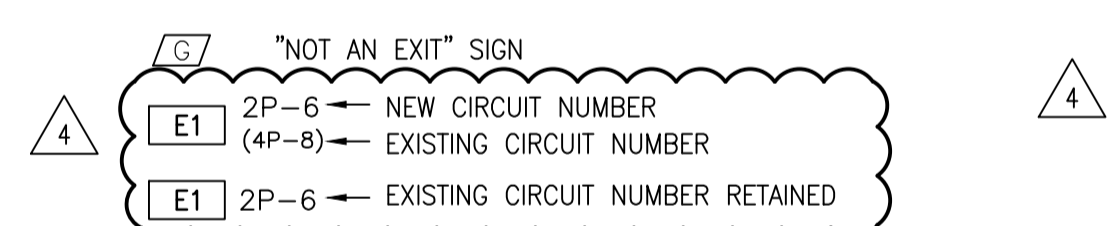




PLAN ELEV. 229 M

LEGEND

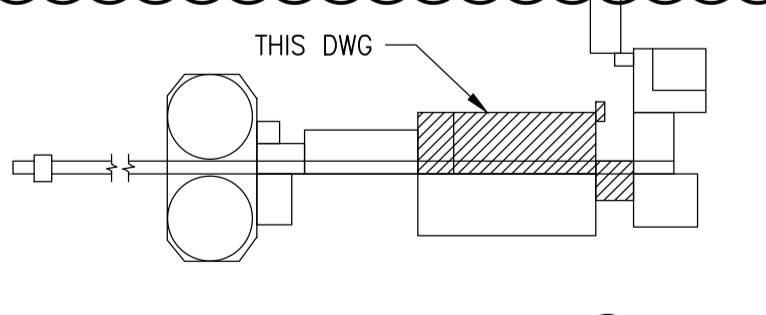


DEMOLITION NOTES

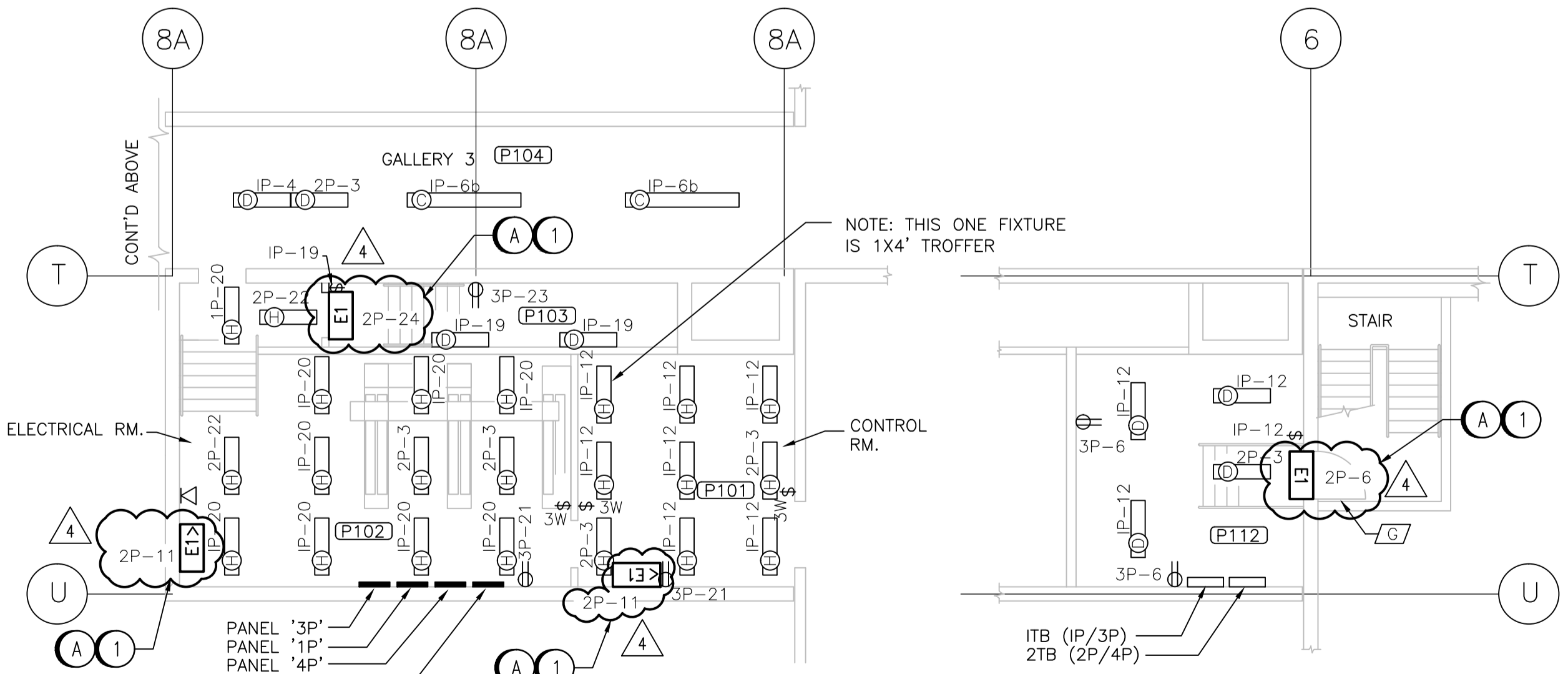
- (A) REMOVE EXISTING RED EXIT SIGN. REUSE EXISTING WIRING AND CONDUIT FOR NEW EXIT SIGN.
- (B) REMOVE POWER-FREE RED EXIT SIGN IN STAIRWELL.
- (C) DEMOLISHING OF PRIMARY CLARIFIER STAIRWELL P105 - EXIT LIGHTING AND LUMINAIRES NEAR GALLERY 4. PULL BACK WIRING/CONDUIT INTO THE REMAINING FACILITIES IN ORDER TO RE-USE EXISTING CIRCUIT AS INDICATED FOR NEW EXIT SIGNS AND LIGHTING IN NEW STAIRWELL. SEE DWG. 1-0102-ELTG-001 FOR DETAILS. ENSURE WIRING ADJUSTMENTS DO NOT IMPACT OTHER LIGHTING IN FACILITY. RE-WIRE ALL SYSTEMS AS REQUIRED TO MAINTAIN ENTIRE FACILITY OPERATIONS.

CONSTRUCTION NOTES

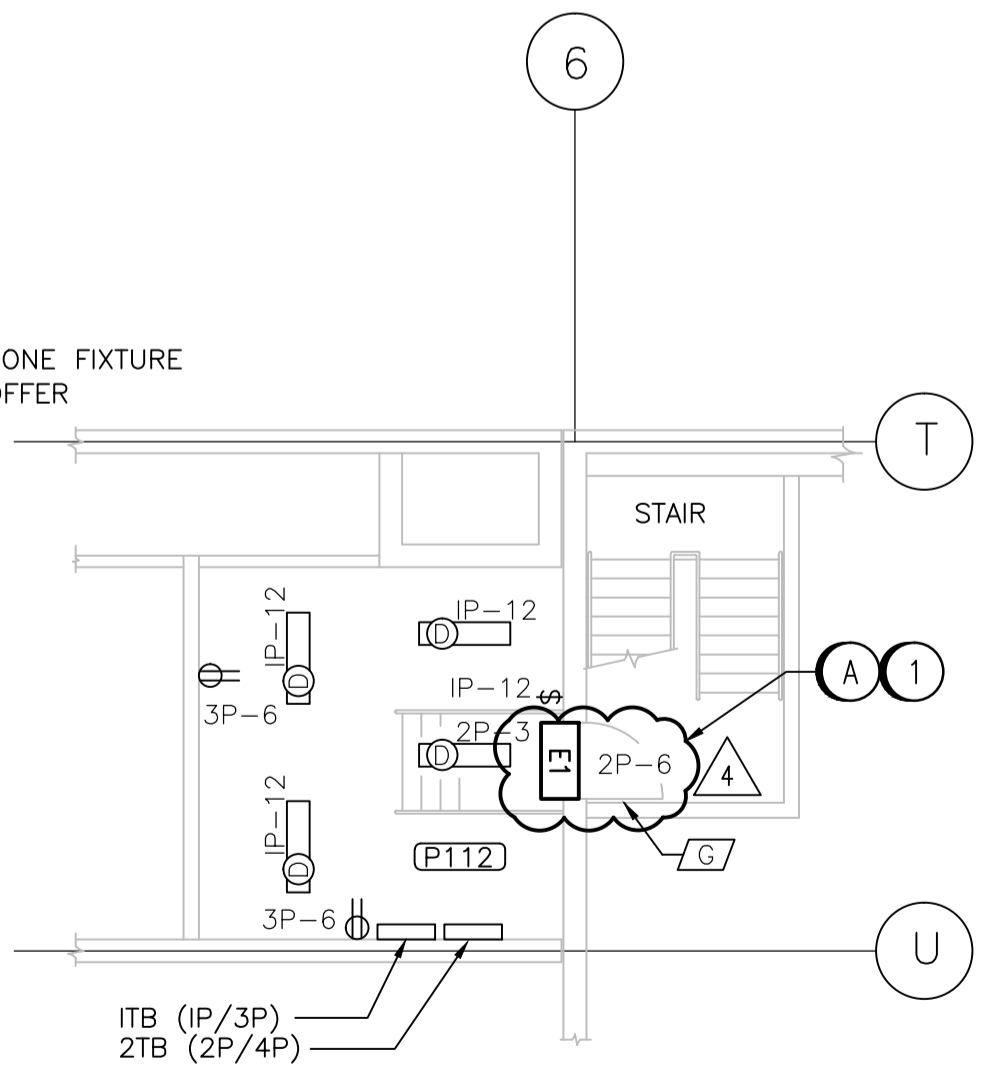
- (1) SUPPLY AND INSTALL NEW RUNNING MAN EXIT SIGN. EXTEND EXISTING WIRING AND CONDUIT AS REQUIRED.
- (2) SUPPLY AND INSTALL NEW POWER-FREE PHOTOLUMINESCENT RUNNING MAN EXIT SIGN IN THE STAIRWELL DIRECTION AS SHOWN.
- (3) SUPPLY AND INSTALL NEW RUNNING MAN EXIT SIGN. INTERCEPT AND CONNECT TO NEAREST SUITABLE CONNECTION POINT (CIRCUIT SHOWN). EXTEND WIRING AND CONDUIT FOR CONNECTION TO NEW EXIT SIGN. ENSURE LOCATION OF EXIT SIGN IS VISIBLE FROM GALLERY.



KEY PLAN
N.T.S.



PLAN ELEV. 227.38 M



MECHANICAL ROOM
PLAN ELEV. 230.12 M

DESIGNATION	DESCRIPTION & TYPE	LOCATION	MOUNTING METHOD	MOUNTING HEIGHT TO UNDERSIDE OF FIXTURE
(A)	150W HPS, 347V BALLAST C/W 250W QUARTZ LAMP	WALKWAYS	PENDANT	4M IN BUILDING
(B)	SAME AS 'A' BUT WITHOUT QUARTZ LAMP	WALKWAYS	PENDANT	4M IN BUILDING
(D)	2 X 40W, 347V BALLAST FLUORESCENT ENCLOSED FIXTURE	STAIRWELLS GALLERIES PENTHOUSE	SURFACE PENDANT	3.5M 3.5M
(F)	70W, 347V, HPS WALLPACK FIXTURE C/W PHOTOCCELL	OUTSIDE ABOVE THE DOORS	WALL	
(G)	100W HPS, 347V BALLAST WALLPACK	FAN ROOM	WALL	3M
(H)	2 X 40W, 347 BALLAST 2 X 4' TROFFER	ELECTRICAL ROOM	T-BAR CEILING	
(C)	2 X 75W, 347 BALLAST FLUORESCENT ENCLOSED FIXTURE	GALLERIES	PENDANT	3.5M

*SCHEDULE APPLICABLE TO DRAWINGS SEP-277, SEP-278, SEP-279, AND SEP-280

- GENERAL NOTES**
- PNL-2P IS FED FROM NEW ARGES CENTRAL BATTERY SYSTEM ELB-2P. SEE DWG. 1-0102-ESLD-P002.
 - REFER TO SCHEDULE ON DWG. 1-0102-ESCH-A001 FOR EXIT SIGN MODEL.

APEGM
Certificate of Authorization
SNC-Lavalin Inc.
No. 4489

SNC-LAVALIN
DESIGNED BY: V. ELIMBAN
APPROVED BY: D. BECKER
CHECKED BY: D. BECKER
DATE: 2014/09/01
PROJECT No. 614099 SUBDY. 0000 SUBJECT 47 DD SERIAL REV.

SNC-LAVALIN INC.
148 Nature Park Way
Winnipeg, Manitoba
Canada R3P 0X7

B.M. ELEV.		MaCLAREN ENGINEERS INC. WARDROP ENGINEERING INC. ENGINEERING CONSULTANTS	
4	ISSUED FOR TENDER	2015/08/12	VVE
3	AS-BUILT, BID OPP. 209-2011	2012/05/01	TMC
2	ADDED ESSENTIAL LIGHTING AND EXIT SIGNS	2011/03/11	TMC
1	AS CONSTRUCTED	05/91	B.T.
NO. REVISIONS	DATE	BY	DATE
			88-12-20

THE CITY OF WINNIPEG
WORKS AND OPERATIONS DIVISION
WATERWORKS, WASTE & DISPOSAL DEPARTMENT

PRELIMINARY
NOT FOR CONSTRUCTION

SOUTH END WATER POLLUTION CONTROL CENTRE
PRIMARY CLARIFIER EXPANSION - ELECTRICAL
EXISTING CLARIFIERS-EL.227.38 M
EL.229 M & 230.12 M
ELECTRICAL - LIGHTING

CITY DRAWING NUMBER
SHEET OF
SEP-278

CONSULTANT DRAWING NO.
870012-01-16-E104

AUTOCAD