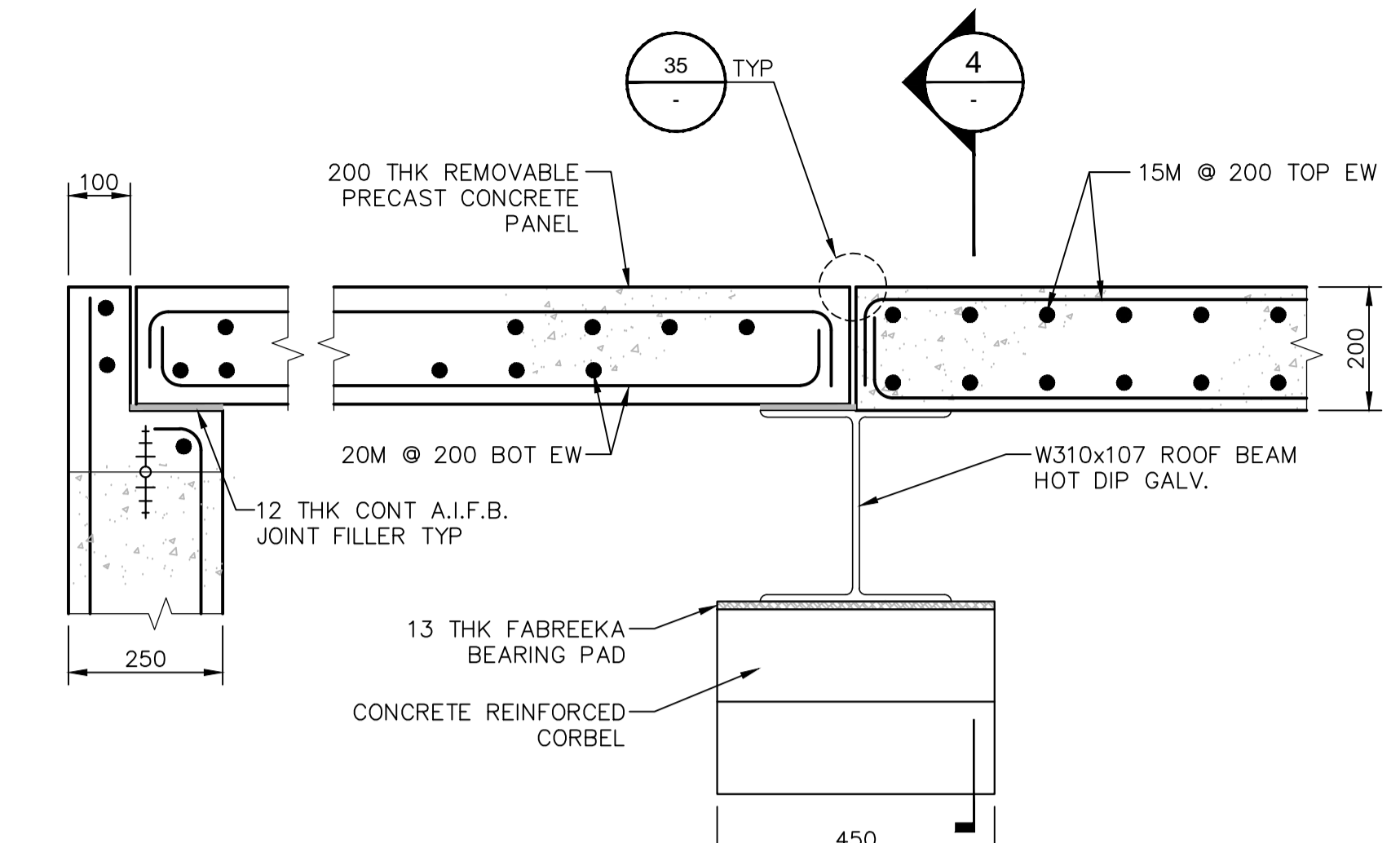
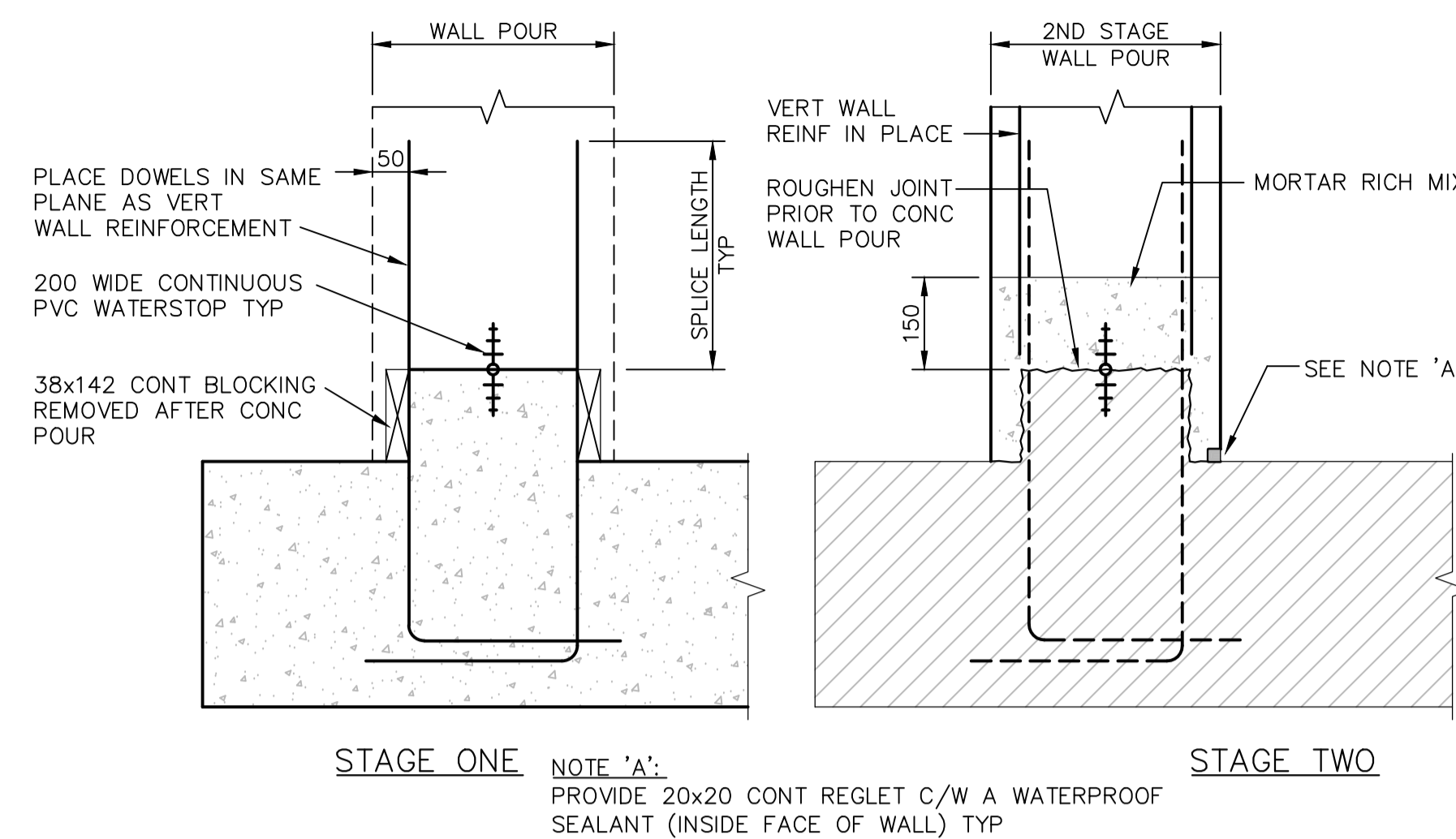


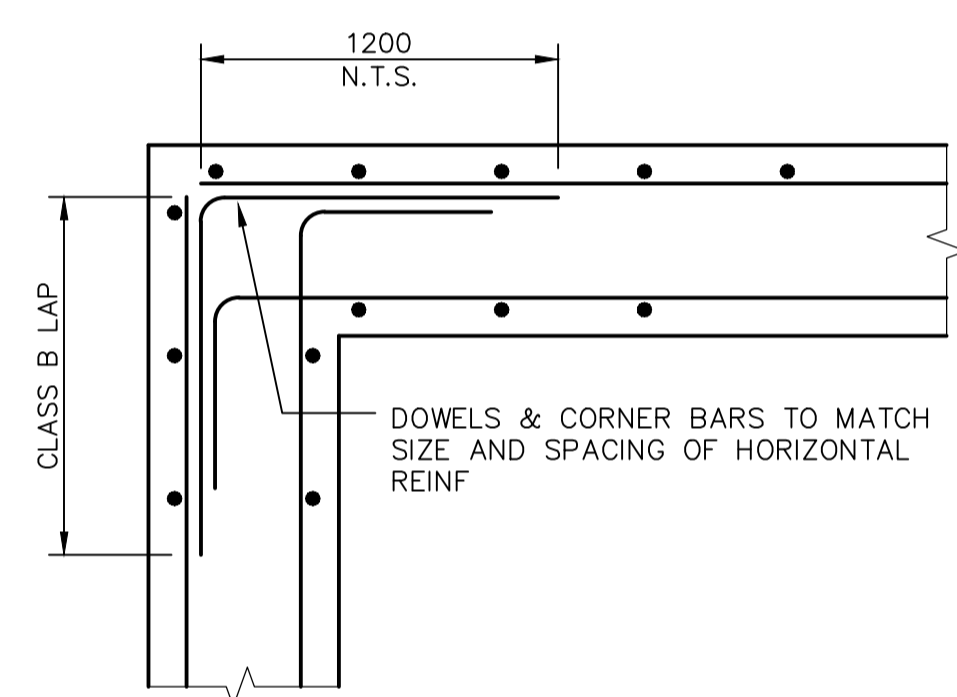
- NOTES:
1. REINFORCING BARS SHALL BE KEPT 50 mm CLEAR OF OPENING AND SPACED 50 mm ON CENTRE
 2. REPLACE CUT BARS WITH BARS OF EQUIVALENT AREA (+ 600 mm²) ONE HALF TO EACH SIDE OF OPENING
 3. FOR HOLES DIMENSIONED LESS THAN 250 mm ADDITIONAL REIN IS NOT REQUIRED UNLESS BARS ARE CUT
 4. REFER TO PROCESS DRAWINGS FOR LOCATIONS OF ALL OPENINGS



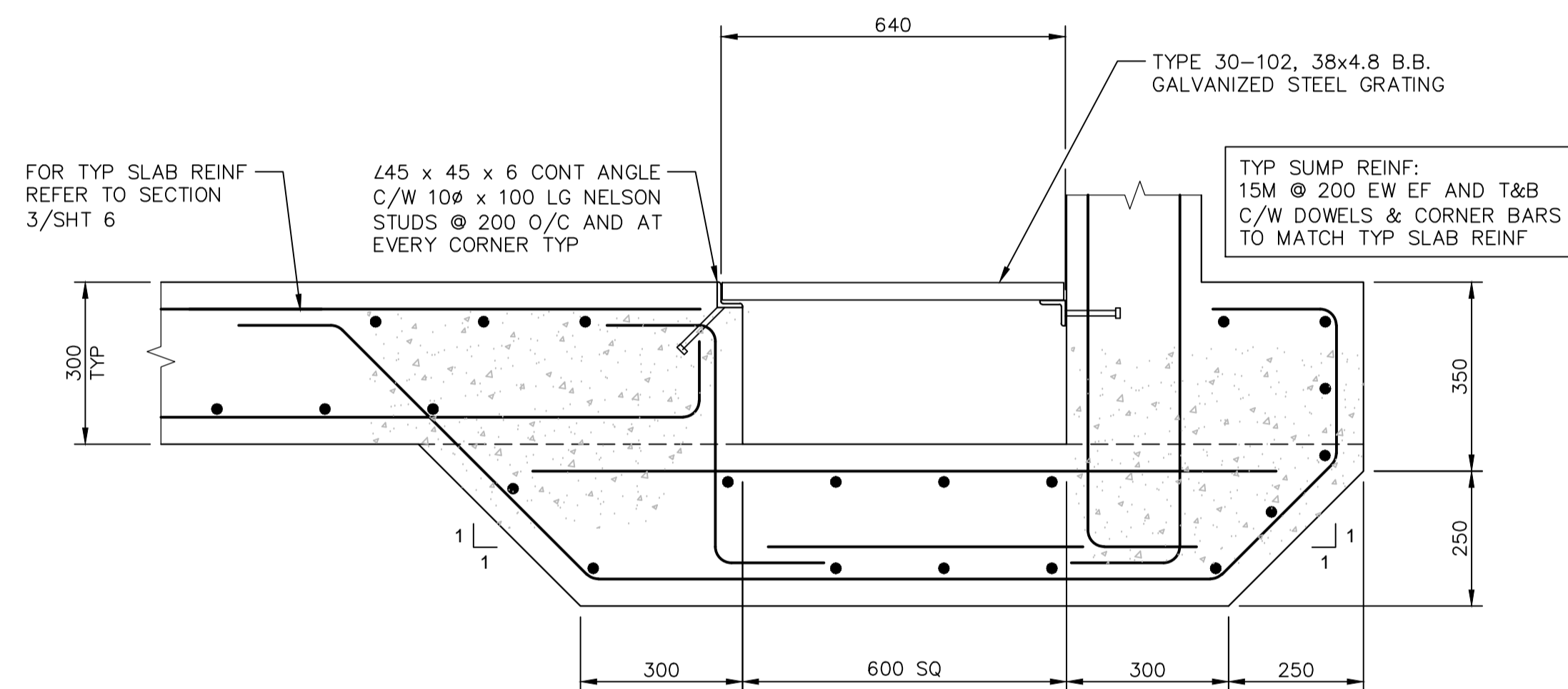
2 DETAIL N.T.S.
D-14038 TYP WATERSTOP

3 DETAIL 1:10
D-14038 ROOF SLAB

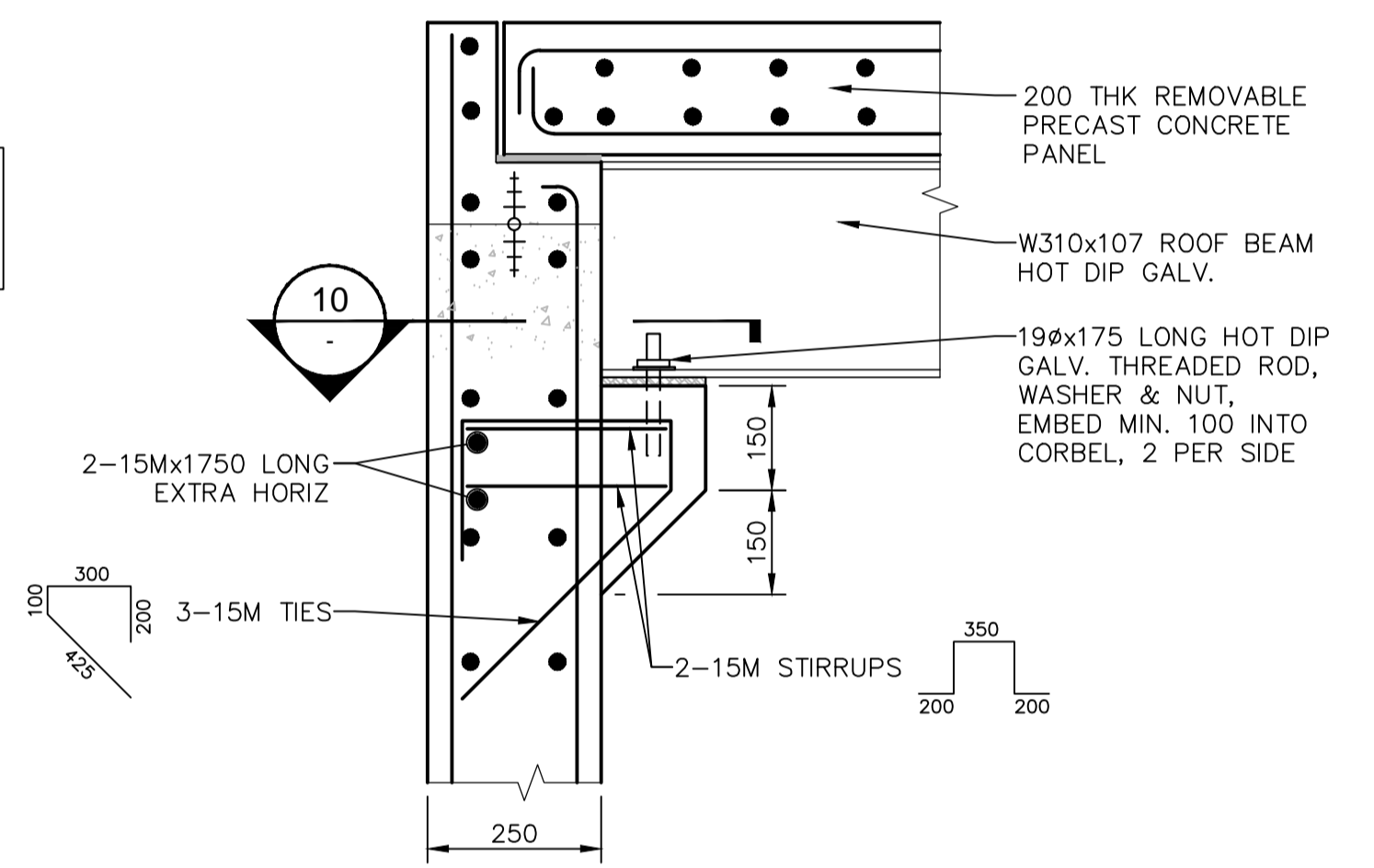
1 DETAIL N.T.S.
REIN AROUND OPENINGS



6 PLAN 1:10
TYP CORNER REINFORCING

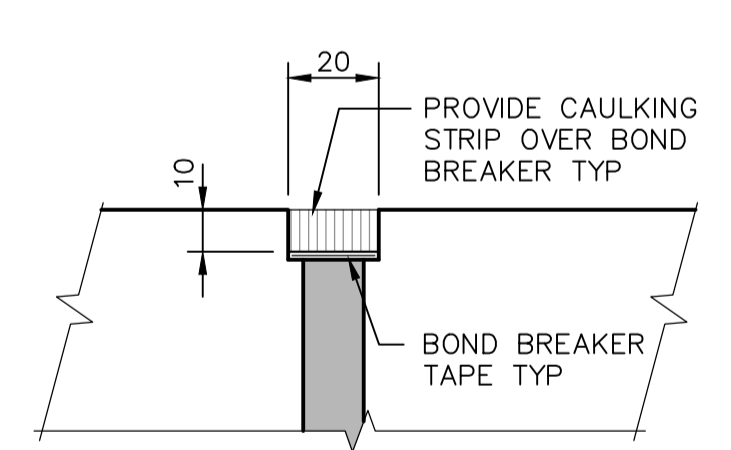


8 DETAIL 1:10
TYP SUMP

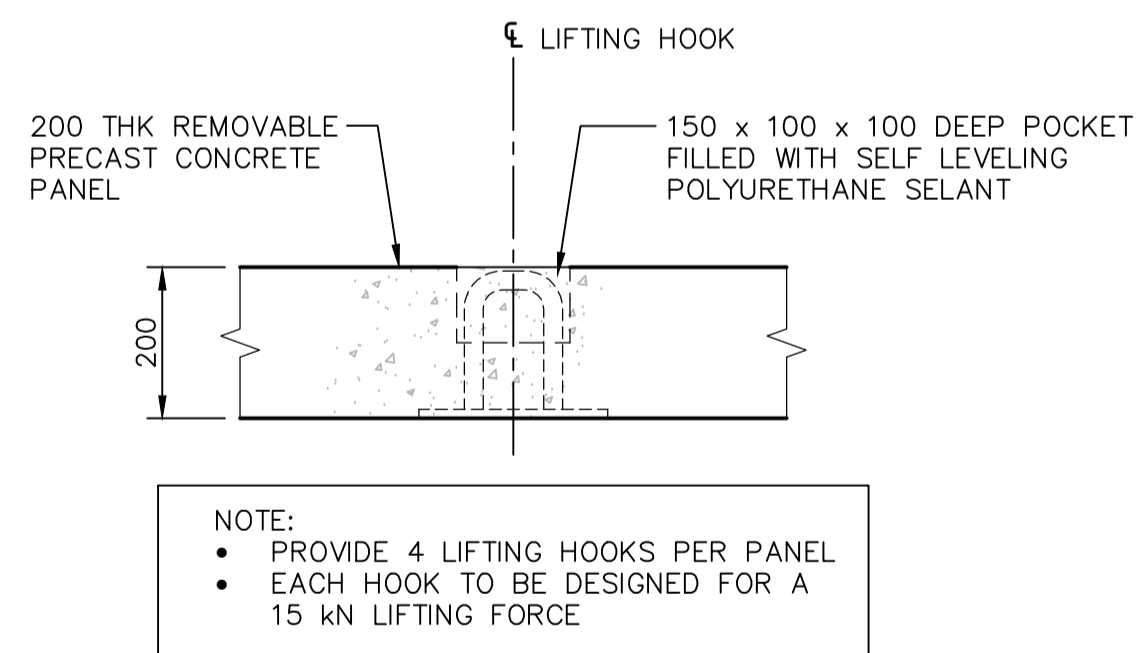


9 DETAIL 1:10
TYP CORBEL REINFORCING

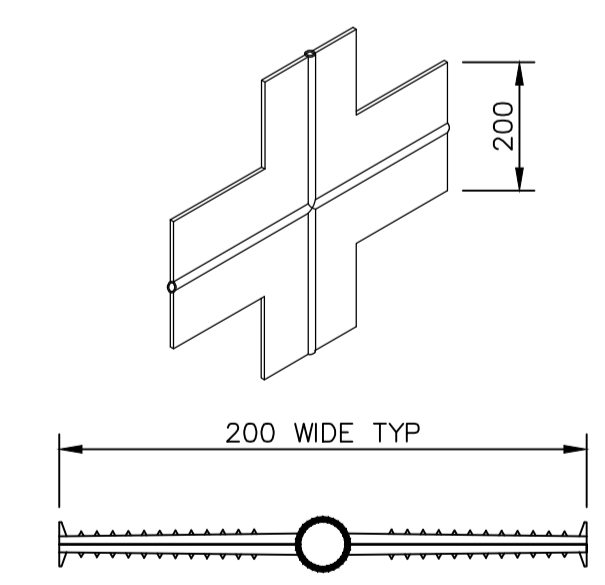
4 SECTION N.T.S.
ISOLATION JOINT



5 DETAIL N.T.S.
CAULKING REGLET



7 DETAIL 1:10
SHT 6 REMOVABLE ROOF PANEL LIFTING HOOKS

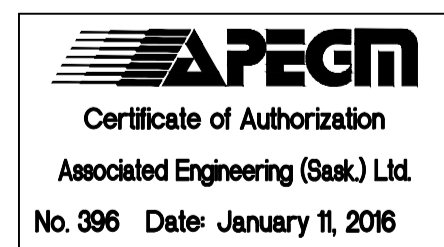


NOTE: ACCURATELY PLACE ALL WATERSTOPS BEFORE CONCRETE POURS. CORNERS AND JUNCTIONS SHALL BE PRE-MANUFACTURED

9 DETAIL N.T.S.
TYP WATERSTOP

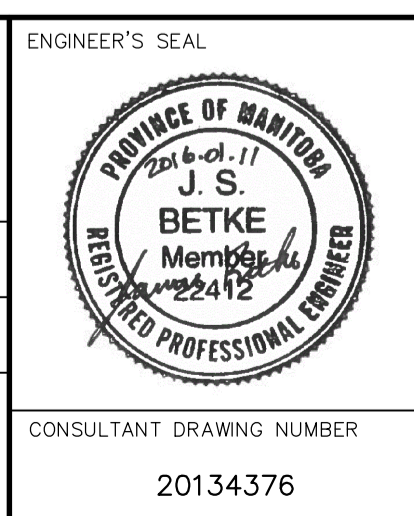
| MATERIAL LIST (PER VALVE CHAMBER) | | | |
|-----------------------------------|--|----------|------|
| ITEM | DESCRIPTION | QUANTITY | SIZE |
| 01 | 750 x 200 PRECAST MH RISER C/W 100 POLYURETHANE PRE-INSULATION | 2 | N/A |
| 02 | 750 x 150 PRECAST MH RISER C/W 100 POLYURETHANE PRE-INSULATION | 2 | N/A |
| 03 | STD CITY OF WINNIPEG MH FRAME AND SOLID COVER | 2 | N/A |
| 04 | PIPE ANCHOR FOR 600Ø PIPE | 4 | N/A |
| 05 | STEEL LADDER | 2 | N/A |
| 06 | LIFTING HOOKS | 8 | N/A |

**2 VALVE CHAMBERS REQUIRED



| | | |
|---|--------------------------|--|
| LOCATION APPROVED UNDERGROUND STRUCTURES | | B.M. ELEV. |
| SUPV. U/G STRUCTURES COMMITTEE | | DATE |
| NOTE: LOCATION OF UNDERGROUND STRUCTURES AS SHOWN ARE BASED ON THE BEST INFORMATION AVAILABLE BUT NO GUARANTEE IS GIVEN THAT ALL EXISTING UTILITIES ARE SHOWN OR THAT THE GIVEN LOCATIONS ARE EXACT. CONFIRMATION OF EXISTENCE AND EXACT LOCATION OF ALL UTILITIES MUST BE OBTAINED FROM THE INDIVIDUAL UTILITIES BEFORE PROCEEDING WITH CONSTRUCTION. | | CONSTRUCTION COMPLETION DATE: YYYY MM DD |
| A | ISSUED FOR CLIENT REVIEW | 15-JUL-08 MJ |
| NO. | REVISIONS | DATE BY |

| | | |
|--|--|---------------------------|
| DESIGNED BY: KD | | CHECKED BY: |
| DRAWN BY: LP | | APPROVED BY: JL |
| SCALE: HORIZONTAL AS SHOWN VERTICAL AS SHOWN | | RELEASED FOR CONSTRUCTION |
| DATE: 2016 01 11 | | DATE: |



THE CITY OF WINNIPEG
WATER AND WASTE DEPARTMENT
ENGINEERING DIVISION

NORTH KILDONAN FEEDERMAIN
VALVE CHAMBERS AND CONNECTIONS
VALVE CHAMBER
DETAILS

SHEET 7 OF 9
CITY DRAWING NUMBER
D-14039

ENGINEER'S SEAL
CONSULTANT DRAWING NUMBER
20134376