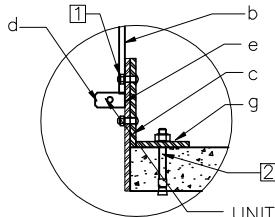


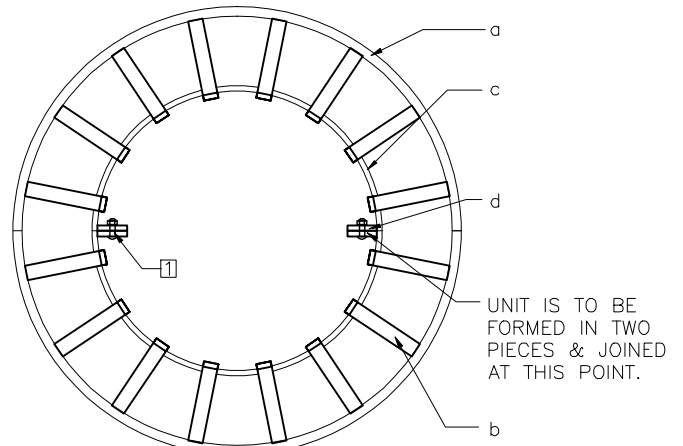
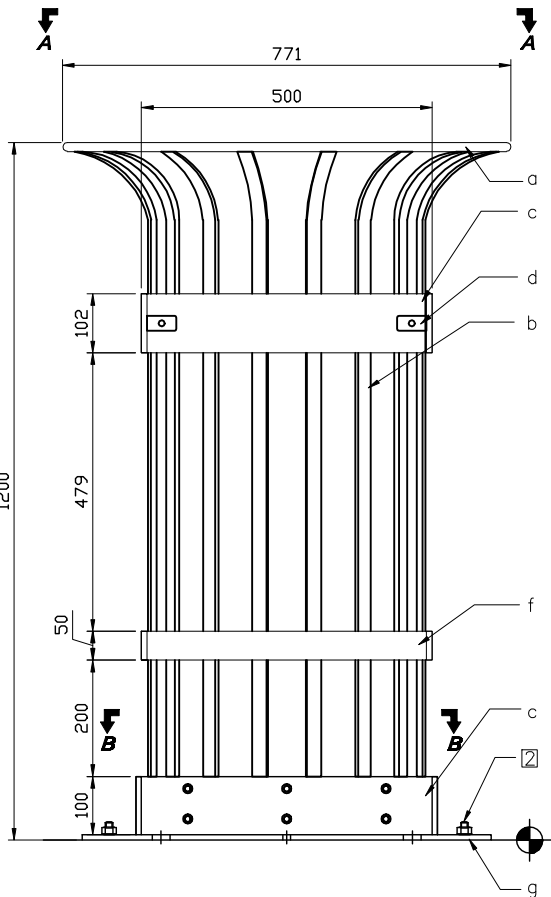
UNIT IS TO BE FORMED IN TWO PIECES & JOINED AT THIS POINT.



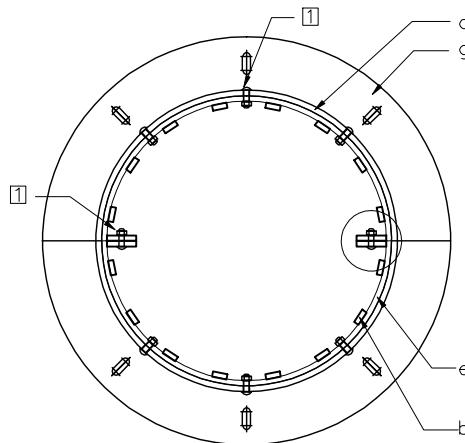
UNIT IS TO BE FORMED IN TWO PIECES & JOINED AT THIS POINT.

PARTS SCHEDULE			
ITEM	QTY	DESCRIPTION	LENGTH
	1	TREE GUARD	
a	2	5/8"(16mm)Ø ROUND BAR	46 3/4"(1187mm)
b	16	3/8"(9mm)x 1"(25mm) FLAT BAR SEE DETAIL 1/A3	46 1/2"(1181mm)
c	2	3/8"(9mm)x 4"(102mm) FLAT BAR SEE DETAIL 1/A2	30 3/8"(772mm)
d	8	3/8"(9mm)x 1"(25mm) FLAT BAR SEE DETAIL 2/A2	2" (51mm)
e	2	3/8"(9mm)x 7"(178mm) PLATE SEE DETAIL 2-3/A3	30 3/8"(772mm)
f	2	3/8"(9mm)x 2"(51mm) FLAT BAR SEE DETAIL 1/A4	31 1/2"(800mm)
g	2	3/8"(9mm)x 13 3/8"(352mm) PLATE SEE DETAIL 1-2/A4	27 1/8"(703mm)

BOLT SCHEDULE			
ITEM	QTY	DESCRIPTION	LENGTH
1	16	5/16"(8mm)Ø TAMPER/RUST PROOF BOLT w/ NUT	1 1/4"(32mm)
2	2	3/4"(12mm)Ø EPOXIED BOLT	3 3/4"(95mm)



**SECTION A-A**  
SCALE: 1:10



**SECTION B-B**  
SCALE: 1:10

# TREE GUARD

THIS DETAIL TO BE READ IN CONJUNCTION WITH SPECIFICATION E8 TREE GRATES AND GUARDS

DATE:

24-03-08

SCALE:

N.T.S.

DETAIL NO.:

**F6**