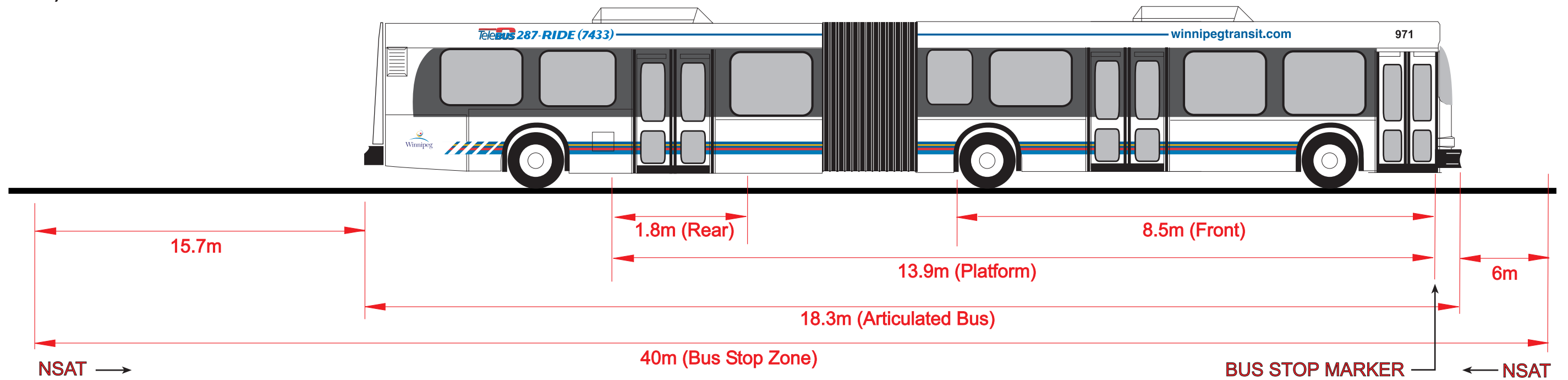


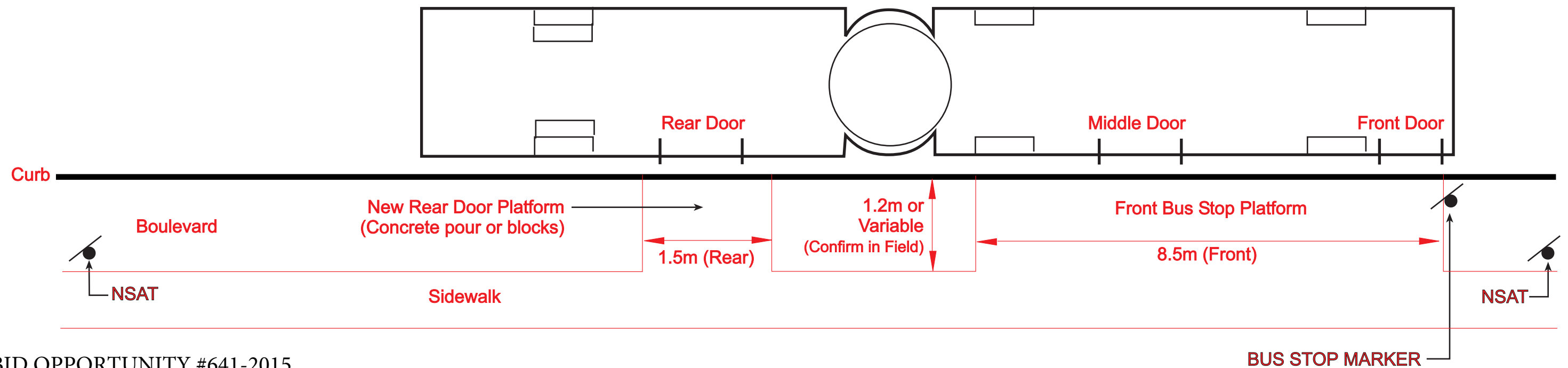
Typical Bus Stop: 18.3m (60-foot) Articulated Bus

(Profile View)



Typical Bus Stop: 18.3m (60-foot) Articulated Bus

(Plan View - Option 1 Standard Boulevard)



BID OPPORTUNITY #641-2015