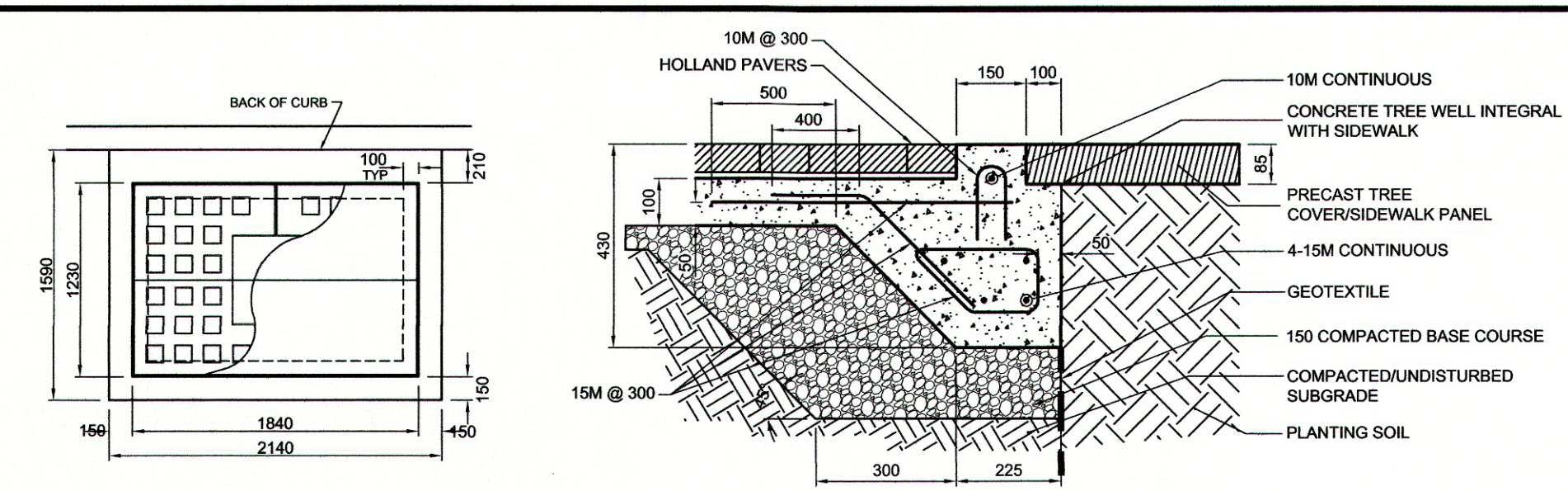
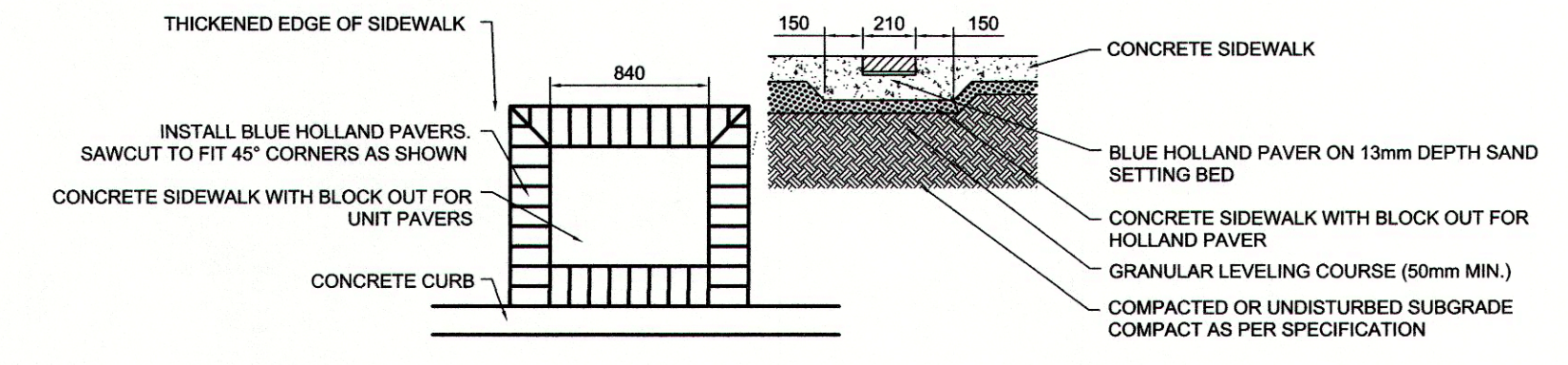


WESTBOUND

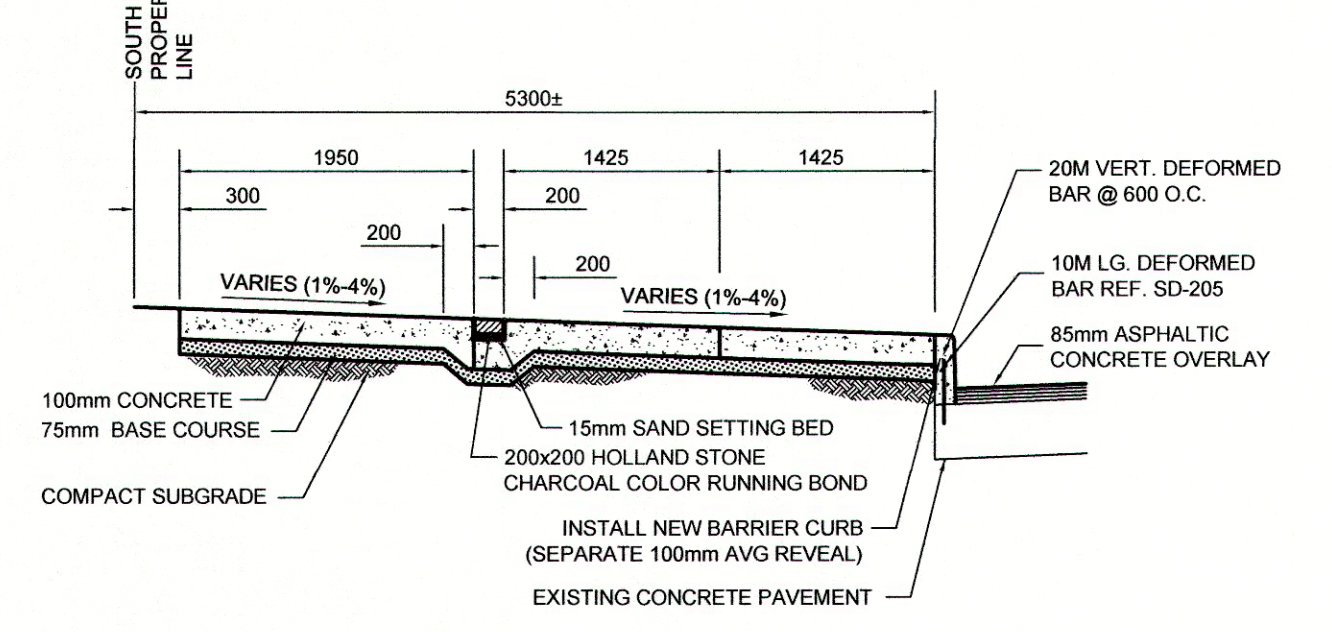
ASPHALT PAVING WORKS CONTINUE AS THIN BITUMINOUS OVERLAY SEE CT-10



TREE WELL DETAIL 3



BUS STOP PAVING STONE DETAIL 2



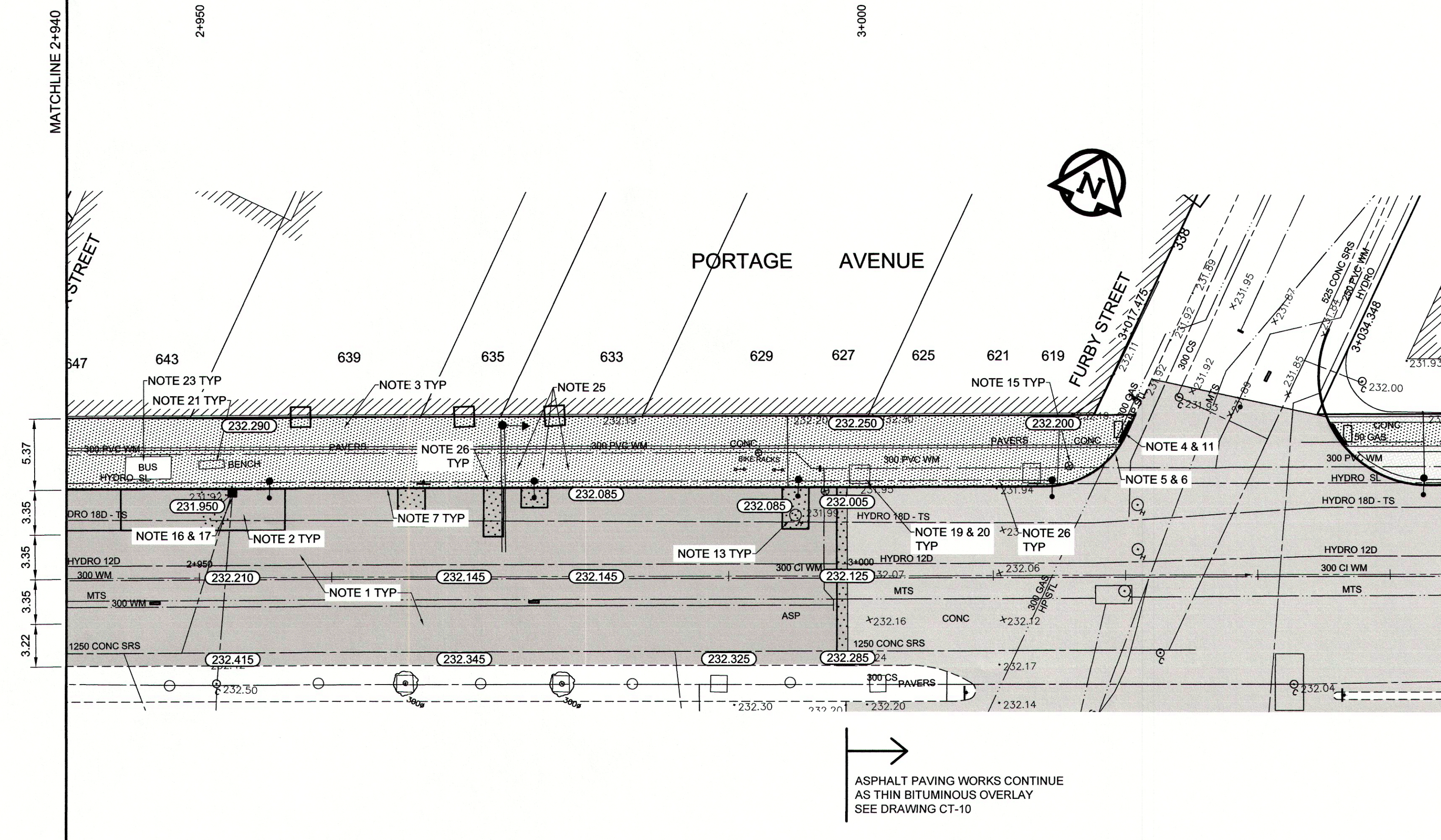
SIDEWALK DETAIL 1

REFERENCE NOTES

- A. PAVEMENT DIMENSIONS ARE TO BACK OF CURB
- B. BASELINE IS 12.0M SOUTH OF NORTH PROPERTY LINE
- C. PROPERTY LINES OBTAINED FROM THE CITY OF WINNIPEG L.B.I.S., AND NO SCALE FACTOR WAS APPLIED
- D. REFER TO AECOM FIELD BOOK NO. 4821, 4822 & 4823

CONSTRUCTION NOTES:

1. PLANE EXISTING ASPHALT AND CONSTRUCT NEW ASPHALTIC PAVEMENT OVERLAY TYPE 1A (AVERAGE THICKNESS 85mm)
2. REMOVE EXISTING PAVEMENT AND CONSTRUCT NEW 200mm REINFORCED CONCRETE PAVEMENT c/w 85mm TYPE 1A ASPHALT OVERLAY
3. REMOVE EXISTING CONCRETE SIDEWALK/PAVER STONE SIDEWALK AND CONSTRUCT NEW 100mm SIDEWALK c/w PAVING STONE BAND (SEE DETAIL 1)
4. RENEW EXISTING MONOLITHIC CURB RAMP (10mm HT. INTEGRAL)
5. CONSTRUCT NEW MODIFIED BARRIER CURB (150mm AVG. HT. REVEAL DOWELLED)
6. REMOVE EXISTING BARRIER CURB
7. RENEW EXISTING BARRIER CURB (100mm AVG. HT. REVEAL)
8. ADJUST EXISTING CATCH BASIN/MANHOLE TO GRADE
9. REMOVE EXISTING FRAME AND COVER AND PLACE NEW FRAME AND COVER (AP-004 AND AP-005)
10. INSTALL NEW CAST IRON RISER RING
11. INSTALL NEW DETECTABLE SURFACE WARNING TILES
12. ADJUST MTS MANHOLE FRAME AND COVER
13. ADJUST EXISTING HYDRO MANHOLE (BY OTHERS)
14. ADJUST EXISTING CURB STOP TO GRADE
15. ADJUST EXISTING VALVE BOX
16. REMOVE EXISTING CATCHBASIN AND CURB INLET
17. INSTALL NEW CURB AND GUTTER INLET c/w CATCHBASIN (SD-024) AND CONNECT TO EXISTING LEAD
18. REGRADE EXISTING PAVING STONES
19. REMOVE EXISTING TREE WELL
20. CONSTRUCT NEW CONCRETE TREETWELL (SEE DETAIL 3)
21. REMOVE AND REINSTALL EXISTING BENCH (BY OTHERS)
22. REMOVE AND REINSTALL EXISTING GARBAGE BIN (BY OTHERS)
23. REMOVE AND REINSTALL EXISTING BUS SHELTER (BY OTHERS)
24. INSTALL PAVING STONE (SEE DETAIL 2)
25. REMOVE AND REINSTALL BIKE RACKS
26. INSTALL STREET LIGHTING CONDUIT AS DIRECTED. NEW LIGHT STANDARD BASES INSTALLED BY OTHERS



ASPHALT PAVING WORKS CONTINUE AS THIN BITUMINOUS OVERLAY SEE DRAWING CT-10

SEE DRAWINGS CT-07 TO CT-09 FOR SIDEWALK STREETSCAPING

EXISTING	LEGEND - PLAN	PROPOSED	EXISTING	LEGEND - PLAN	PROPOSED	EXISTING	LEGEND - PROFILE	PROPOSED
150 mm W.M.	WATERMAIN	150 mm W.M.	---	HYDRO	---	---	C PROFILE	---
Hydrant	HYDRANT	Hydrant	---	M.T.S.	---	---	NORTHWEST GUTTER	---
Valve	VALVE	Valve	---	CONCRETE	---	---	MEDIAN GUTTER	---
300mm L.D.S.	LAND DRAINAGE SEWER	300mm L.D.S.	---	ASPHALT	---	---	NW PROPERTY LINE	---
250mm W.W.S.	WASTEWATER SEWER	250mm W.W.S.	---	PROPERTY LINE	---	---	S/E PROPERTY LINE	---
Manhole	MANHOLE	Manhole	---	SURVEY BAR	---	---		---
Catch Basin	CATCH BASIN	Catch Basin	---	ELEVATION	(35.750)	---		---
Curb Inlet	CURB INLET	Curb Inlet	---	TREE	---	---		---
Building Outline	BUILDING OUTLINE	Building Outline	---	SIDEWALK RAMP	---	---		---
Culvert	CULVERT	Culvert	---	CONCRETE SIDEWALK	---	---		---
Gas	GAS	Gas	---	FENCE	---	---		---

LOCATION APPROVED UNDERGROUND STRUCTURES

SUPV. U/G STRUCTURES COMMITTEE DATE

NOTE: LOCATION OF UNDERGROUND STRUCTURES AS SHOWN ARE BASED ON THE BEST INFORMATION AVAILABLE, BUT NO GUARANTEE IS GIVEN THAT ALL EXISTING UTILITIES ARE SHOWN OR THAT THE GIVEN LOCATIONS ARE EXACT. CONFIRMATION OF EXISTENCE AND EXACT LOCATION OF ALL SERVICES MUST BE OBTAINED FROM THE INDIVIDUAL UTILITIES BEFORE PROCEEDING WITH CONSTRUCTION.

B.M. 89R581	S.W. corner Portage Ave. & Sprague St. Tibt. on pipe, 4.8m E. of W.L. Sprague St. produced from the W. along the S.L. of Portage Ave.	ELEV. 232.540
NO.	REVISIONS	DATE BY
0	ISSUED FOR TENDER	2015/07/30 BC
A	ISSUED FOR REVIEW	2015/07/24 KWR

**AECOM**

DESIGNED BY BC CHECKED BY KWR

DRAWN BY RT, PB APPROVED BY

HOR. SCALE: 1:250  
VERTICAL: 1:10

RELEASED FOR CONSTRUCTION BY:

DATE 2014/03/25 DATE 2015/07/30

ENGINEER'S SEAL

PROVINCE OF MANITOBA

FINDLAY

Member 23820

REGISTERED PROFESSIONAL ENGINEER

CONSULTANT DRAWING NO. CT-06

**THE CITY OF WINNIPEG**

Winnipeg PUBLIC WORKS DEPARTMENT ENGINEERING DIVISION

PORTAGE AVENUE  
MCGEE STREET TO FURBY STREET  
PAVEMENT REHABILITATION

WESTBOUND TRAFFIC LANES  
PLAN AND PROFILE  
STATION 2+940 TO FURBY STREET

CITY DRAWING NUMBER P-3469-06  
SHEET 06 OF 10

**METRIC**

WHOLE NUMBERS INDICATE MILLIMETRES  
DECIMALIZED NUMBERS INDICATE METRES

AECOM Canada Ltd.  
Original dated on: 2013/07/30  
No. 4671 Date: 2013/07/30