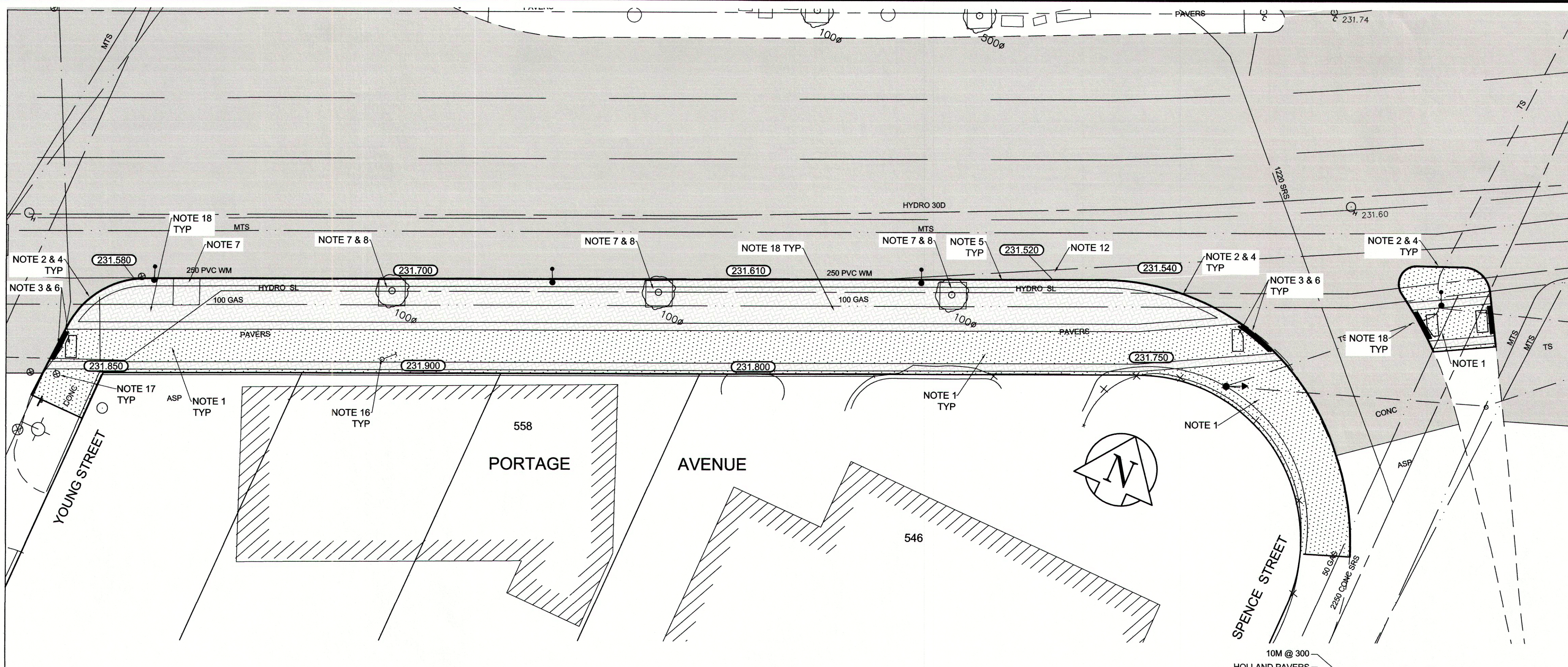


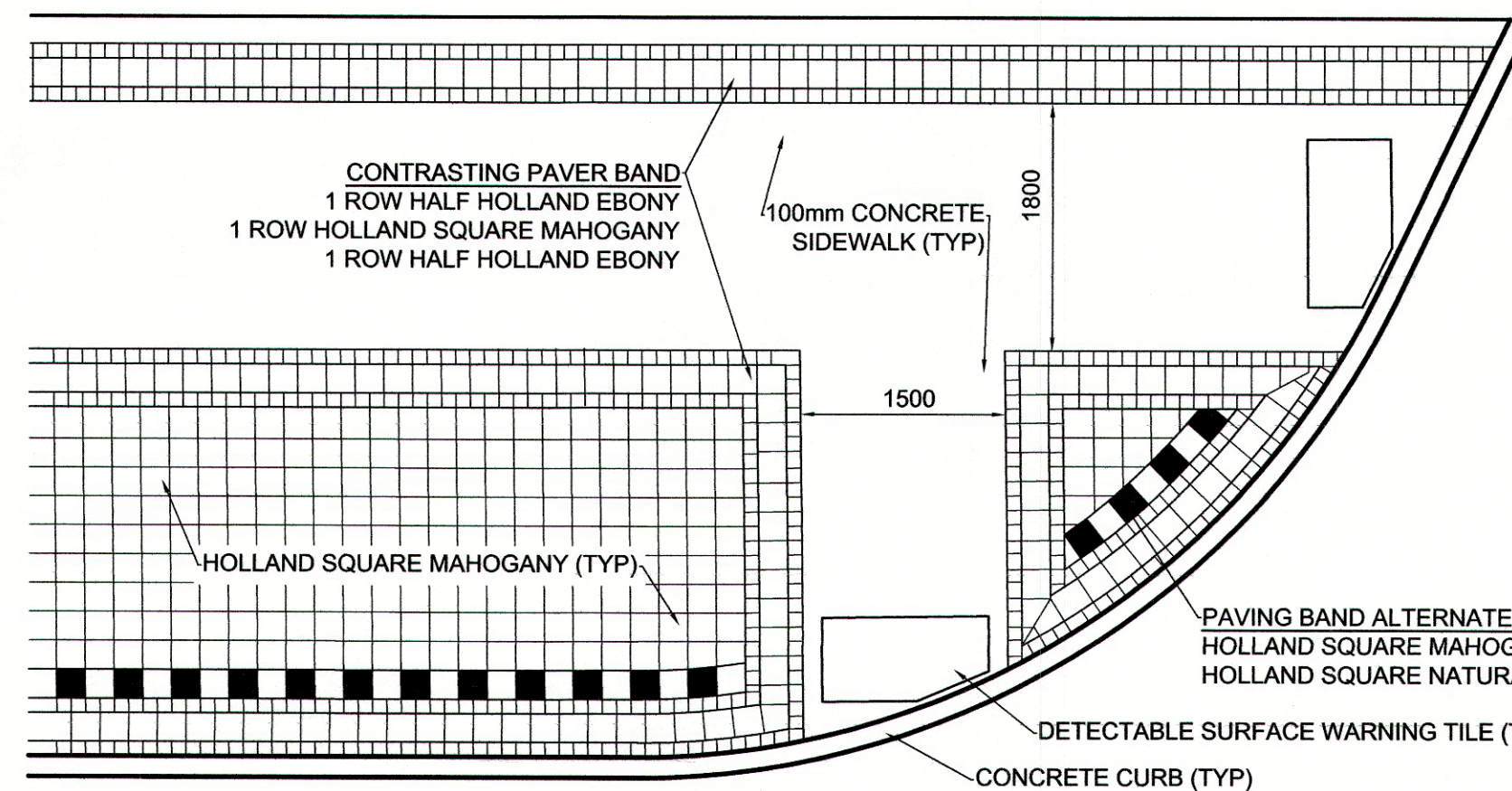
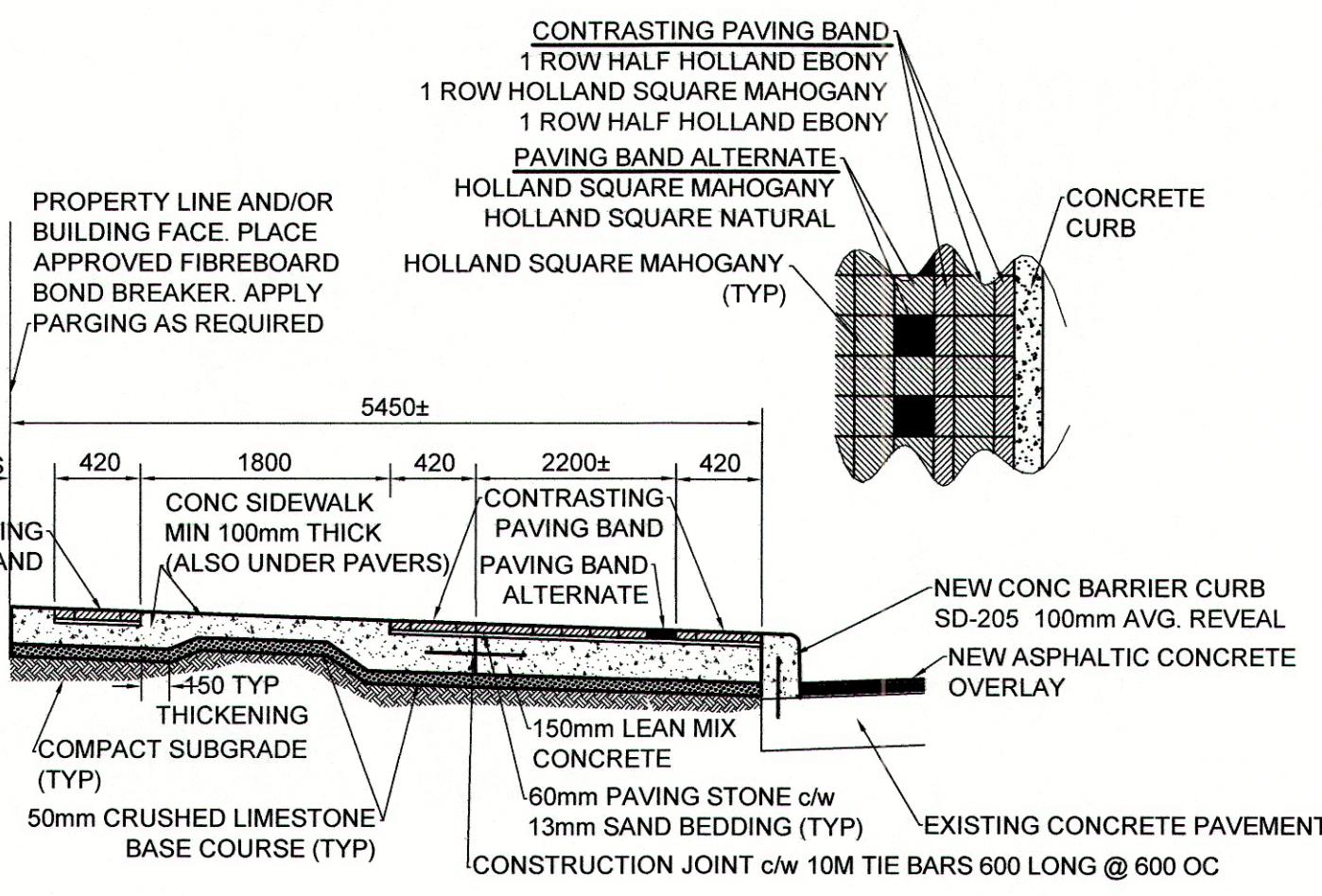
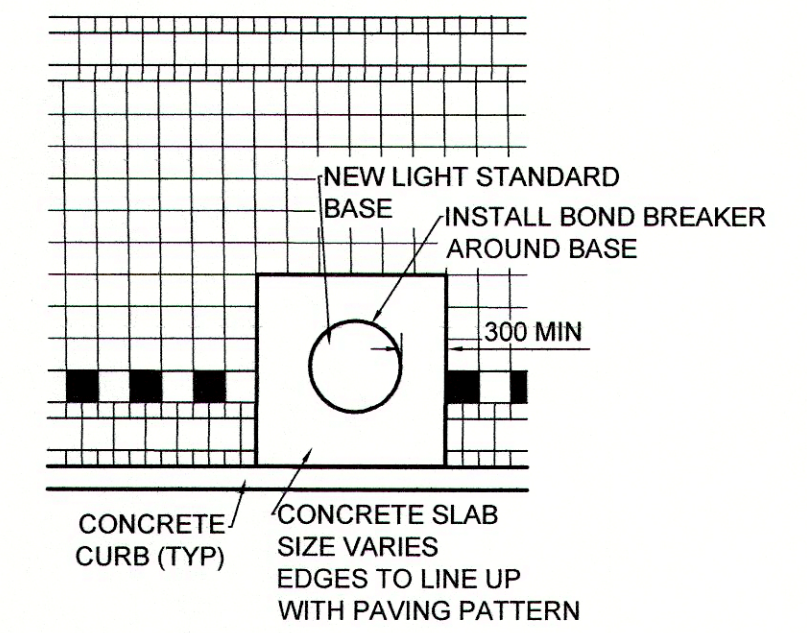
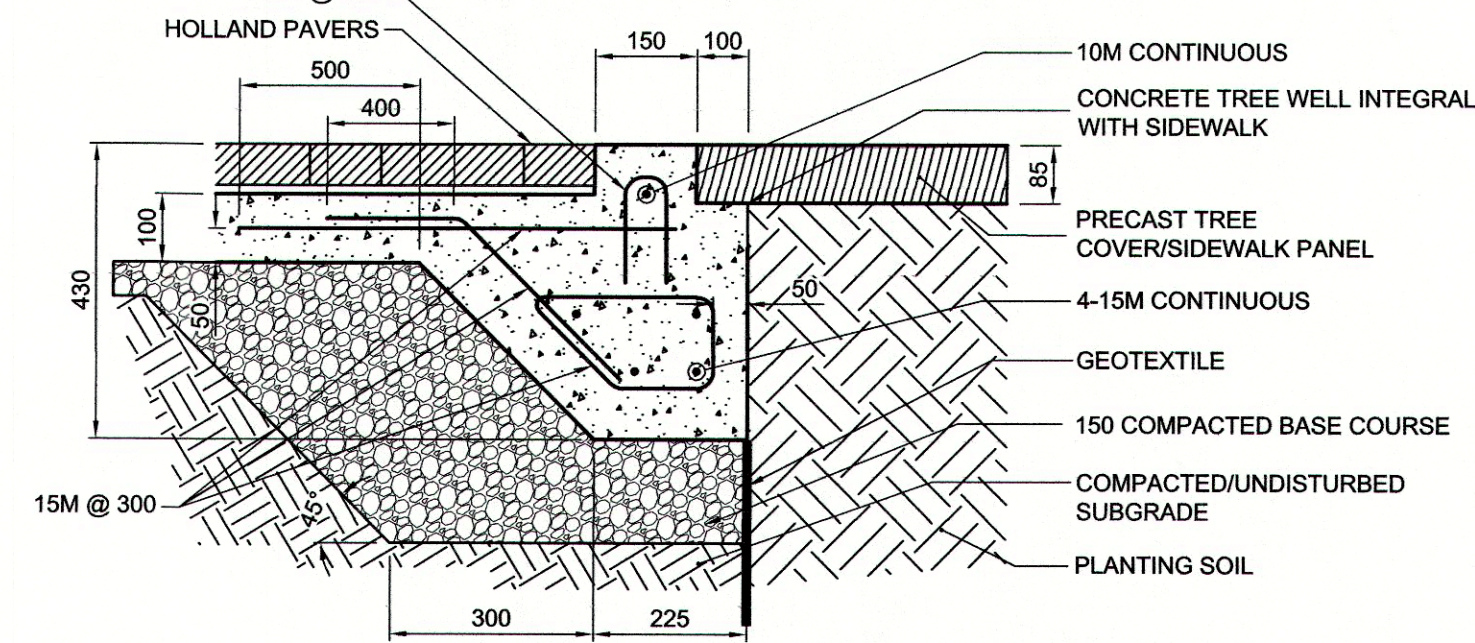
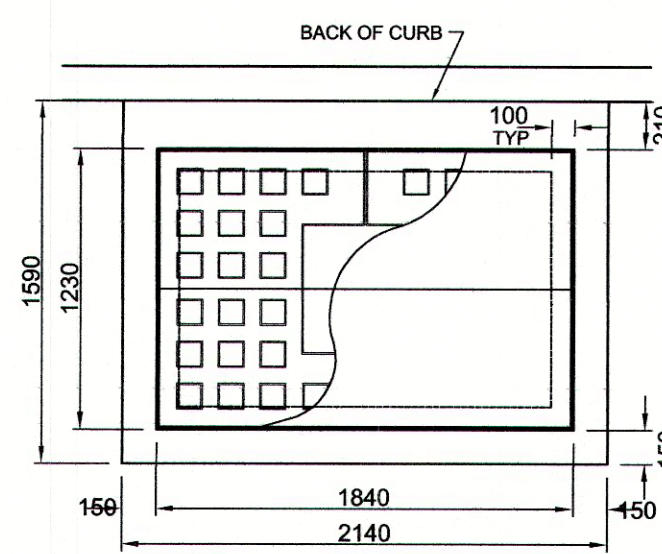
MATCHLINE
CT-08



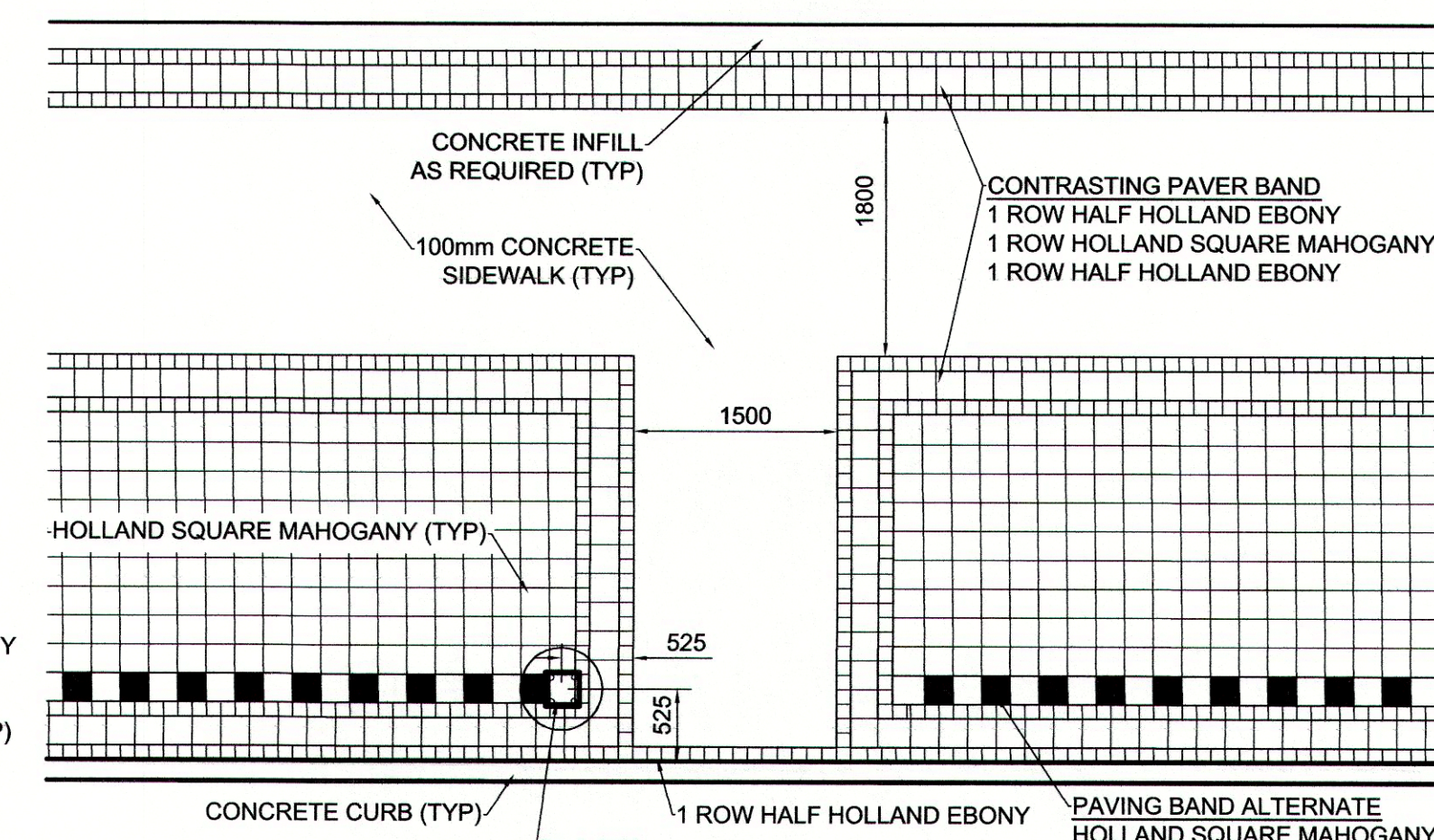
CONSTRUCTION NOTES

1. REMOVE EXISTING CONCRETE AND PAVING STONE SIDEWALK AND CONSTRUCT NEW 100mm SIDEWALK c/w PAVING STONE (SEE DETAIL 1 AND 2)
2. CONSTRUCT NEW MODIFIED BARRIER CURB (150mm AVG. HT. REVEAL, DOWELLED)
3. RENEW EXISTING MONOLITHIC CURB RAMP (10mm HT. REVEAL, SEPARATE)
4. REMOVE EXISTING BARRIER CURB
5. RENEW EXISTING BARRIER CURB (100mm AVG. HT. REVEAL)
6. INSTALL NEW DETECTABLE SURFACE WARNING TILE
7. REMOVE EXISTING TREE WELL
8. CONSTRUCT NEW CONCRETE TREE WELL (SEE DETAIL 3)
9. REMOVE AND REINSTALL EXISTING BENCH (BY OTHERS)
10. REMOVE AND REINSTALL EXISTING GARBAGE BIN (BY OTHERS)
11. INSTALL BUS PAD AND RELATED PAVING STONES (SEE DETAIL 4)
12. ADJUST EXISTING CATCHBASIN AND CURB INLET
13. REMOVE AND REINSTALL EXISTING PLANTER
14. REMOVE AND REINSTALL EXISTING BUS SHELTER (BY OTHERS)
15. REMOVE AND REINSTALL EXISTING BIKE RACKS
16. ADJUST EXISTING CURB STOP
17. ADJUST EXISTING VALVE BOX
18. INSTALL STREET LIGHTING CONDUIT AS DIRECTED. NEW LIGHT STANDARD BASES INSTALLED BY OTHERS
19. SEE DETAILS 5 AND 6 ON CT-09 FOR PAVER TREATMENT AT NEW CONCRETE BASES

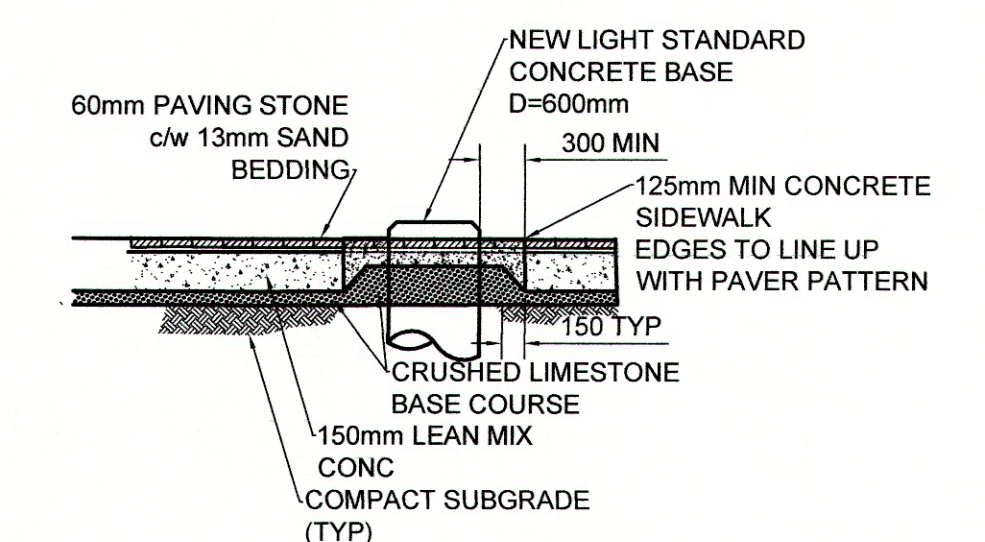
EASTBOUND STREETSCAPING



DETAIL 3: TREE WELL
N.T.S.



DETAIL 5: LIGHT STANDARD BASE PLAN
N.T.S.



DETAIL 1: SECTION THROUGH SIDEWALK & PAVING BANDS
N.T.S.

DETAIL 2: PAVING PATTERN DETAIL
N.T.S.

DETAIL 4: PAVING PATTERN AT BUS STOP
N.T.S.

DETAIL 6: LIGHT STANDARD BASE SECTION
N.T.S.

150 mm W.M.	WATERMAIN	150 mm W.M.	HYDRO	150 mm W.M.	HYDRO	150 mm W.M.	HYDRO	150 mm W.M.	HYDRO	150 mm W.M.	HYDRO	150 mm W.M.	HYDRO	150 mm W.M.	HYDRO	150 mm W.M.	HYDRO	150 mm W.M.	HYDRO
+	HYDRANT	+	M.T.S.	+	M.T.S.	+	M.T.S.	+	M.T.S.	+	M.T.S.	+	M.T.S.	+	M.T.S.	+	M.T.S.	+	M.T.S.
+	VALVE	+	CONCRETE	+	CONCRETE	+	CONCRETE	+	CONCRETE	+	CONCRETE	+	CONCRETE	+	CONCRETE	+	CONCRETE	+	CONCRETE
+	LAND DRAINAGE SEWER	+	ASPHALT	+	ASPHALT	+	ASPHALT	+	ASPHALT	+	ASPHALT	+	ASPHALT	+	ASPHALT	+	ASPHALT	+	ASPHALT
+	WASTEWATER SEWER	+	PROPERTY LINE	+	PROPERTY LINE	+	PROPERTY LINE	+	PROPERTY LINE	+	PROPERTY LINE	+	PROPERTY LINE	+	PROPERTY LINE	+	PROPERTY LINE	+	PROPERTY LINE
+	MANHOLE	+	SURVEY BAR	+	SURVEY BAR	+	SURVEY BAR	+	SURVEY BAR	+	SURVEY BAR	+	SURVEY BAR	+	SURVEY BAR	+	SURVEY BAR	+	SURVEY BAR
+	CATCH BASIN	+	ELEVATION	+	ELEVATION	+	ELEVATION	+	ELEVATION	+	ELEVATION	+	ELEVATION	+	ELEVATION	+	ELEVATION	+	ELEVATION
+	CURB INLET	+	TREE	+	TREE	+	TREE	+	TREE	+	TREE	+	TREE	+	TREE	+	TREE	+	TREE
+	JUNCTIONS	+	SIDEWALK RAMP	+	SIDEWALK RAMP	+	SIDEWALK RAMP	+	SIDEWALK RAMP	+	SIDEWALK RAMP	+	SIDEWALK RAMP	+	SIDEWALK RAMP	+	SIDEWALK RAMP	+	SIDEWALK RAMP
+	CULVERT	+	CONCRETE SIDEWALK	+	CONCRETE SIDEWALK	+	CONCRETE SIDEWALK	+	CONCRETE SIDEWALK	+	CONCRETE SIDEWALK	+	CONCRETE SIDEWALK	+	CONCRETE SIDEWALK	+	CONCRETE SIDEWALK	+	CONCRETE SIDEWALK
+	GAS	+	FENCE	+	FENCE	+	FENCE	+	FENCE	+	FENCE	+	FENCE	+	FENCE	+	FENCE	+	FENCE
+	EXISTING	+	LEGEND - PLAN	+	LEGEND - PLAN	+	LEGEND - PLAN	+	LEGEND - PLAN	+	LEGEND - PLAN	+	LEGEND - PLAN	+	LEGEND - PLAN	+	LEGEND - PLAN	+	LEGEND - PLAN
+	PROPOSED	+	EXISTING	+	EXISTING	+	EXISTING	+	EXISTING	+	EXISTING	+	EXISTING	+	EXISTING	+	EXISTING	+	EXISTING
+	LEGEND - PLAN	+	LEGEND - PROFILE	+	LEGEND - PROFILE	+	LEGEND - PROFILE	+	LEGEND - PROFILE	+	LEGEND - PROFILE	+	LEGEND - PROFILE	+	LEGEND - PROFILE	+	LEGEND - PROFILE	+	LEGEND - PROFILE

LOCATION APPROVED UNDERGROUND STRUCTURES

SUPV. U/G STRUCTURES COMMITTEE DATE

NOTE: LOCATION OF UNDERGROUND STRUCTURES AS SHOWN ARE BASED ON THE BEST INFORMATION AVAILABLE. BUT NO GUARANTEE IS GIVEN THAT ALL EXISTING UTILITIES ARE SHOWN OR THAT THE GIVEN LOCATIONS ARE EXACT. CONFIRMATION OF EXISTENCE AND EXACT LOCATION OF ALL SERVICES MUST BE OBTAINED FROM THE INDIVIDUAL UTILITIES BEFORE PROCEEDING WITH CONSTRUCTION.

B.M. 89R581	S.W. corner Portage Ave. & Sprague St. Tbt. on pipe.		
ELEV. 232.540	4.8m E. of W.L. Sprague St. produced from the W. along the S.L. of Portage Ave.		
0	ISSUED FOR TENDER	2015/07/30	BC
A	ISSUED FOR REVIEW	2015/07/24	KWR
NO.	REVISIONS	DATE	BY

AECOM

DESIGNED BY: KWR
CHECKED BY: KWR

DRAWN BY: RT, PB
APPROVED BY:

HOR. SCALE: 1:150
VERTICAL:

RELEASED FOR CONSTRUCTION BY:

DATE: 2015/07/24
DATE: 2015/07/24

ENGINEER'S SEAL

PROVINCE OF MANITOBA

REGISTERED PROFESSIONAL ENGINEER

Member 23820

CONSULTANT DRAWING NO. CT-09

THE CITY OF WINNIPEG

PUBLIC WORKS DEPARTMENT

ENGINEERING DIVISION

PORTAGE AVENUE
FURBY STREET TO SPENCE STREET
SIDEWALK STREETSCAPING

EASTBOUND SIDEWALK
STREETSCAPING
YOUNG STREET TO SPENCE STREET

CITY DRAWING NUMBER P-3469-09

SHEET 09 OF 10