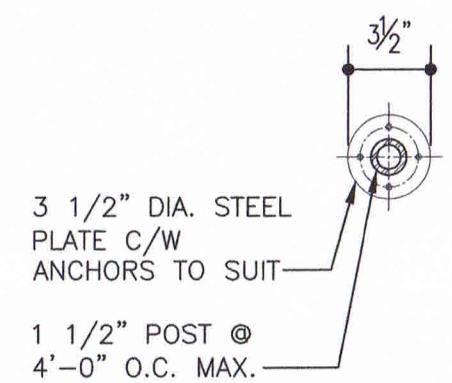


ALL HANDRAILS & GUARD RAILS TO BE COMPLETE WITH PAINT FINISH - PROVIDE ALTERNATE PRICE TO COMPLETE RAILINGS WITH GALVANIZED FINISH IN LIEU OF PAINT

HANDRAILS SHALL BE DESIGNED & MANUFACTURED IN ACCORDANCE WITH NBC 4.1.5.14. SHOP DRAWINGS SHALL BE COMPLETE UNDER THE SEAL OF A LICENSED STRUCTURAL ENGINEER.

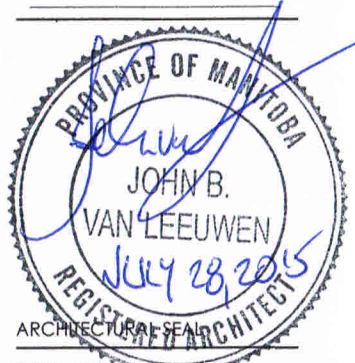


POST DETAIL

1 SECTION
AA-301 (3) 1 1/2"=1'-0"

CITY OF WINNIPEG
CENTRAL FREIGHT HOUSE
WHEELCHAIR RAMP AND STAIR
RETROFIT - DOOR 3
WINNIPEG, MANITOBA

CLIENT REVIEW SIGNATURE:



SHEET TITLE:
SECTION DETAILS

PROJECT NO: 2014052
DRAWN BY: RR
CHECKED BY: JV
SCALE: 1 1/2"=1'-0"
ISSUED FOR: CONSTRUCTION
ISSUE DATE: JULY 16, 2015

AA-301 (3)
CD
DATE PLOTTED
7/16/15