

**ROOM FINISH SCHEDULE**

ROOM NO	ROOM NAME	FLOOR FINISH	WALL BASE	WALL				CEILING				REMARKS
				NORTH	SOUTH	WEST	EAST	MAT	FIN	MAT	FIN	
01	Open Work Stations	RSF1/2	RWB	GWB	PT	GWB	PT	GWB	PT	ACT	N/A	
02	Administration	RSF1/2	RWB	GWB	PT	GWB	PT	GWB	PT	ACT	N/A	
03	Office	RSF1/2	RWB	GWB	PT	GWB	PT	GWB	PT	ACT	N/A	
04	Corridor	EX RSF	RWB2	-	-	-	-	GWB	PT	-	-	1,2

**ABBREVIATIONS:**  
 ACT - Acoustic Ceiling Tile  
 CB - Concrete Block  
 EX - Existing  
 PT - Paint  
 RWB - Resilient Wall Base  
 RSF - Resilient Sheet Flooring

**REMARKS:**  
 1. New wall base to match existing.  
 2. Paint colour and sheen to match existing.

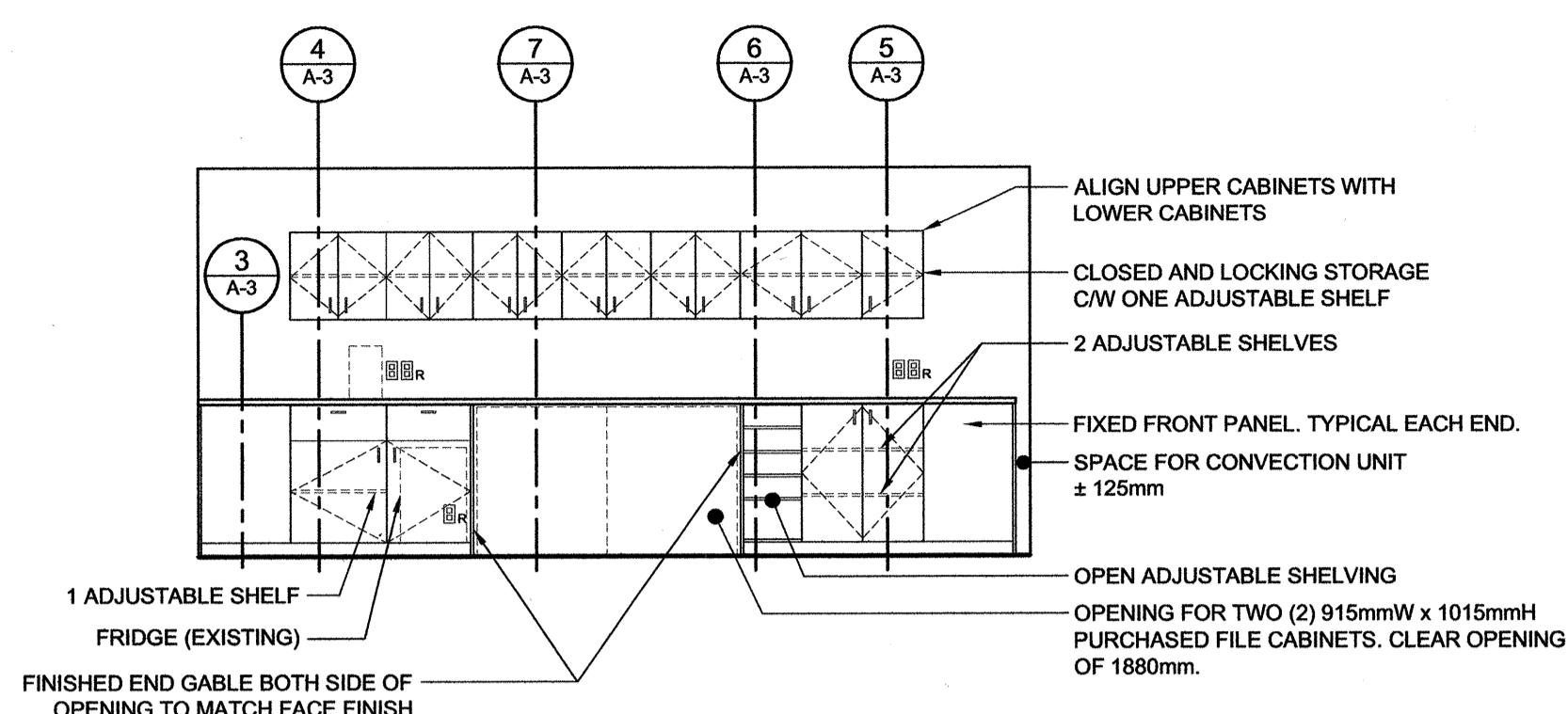
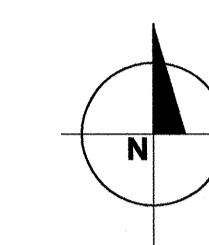
**GENERAL NOTES:**

**COLOUR AND MATERIAL SCHEDULE**

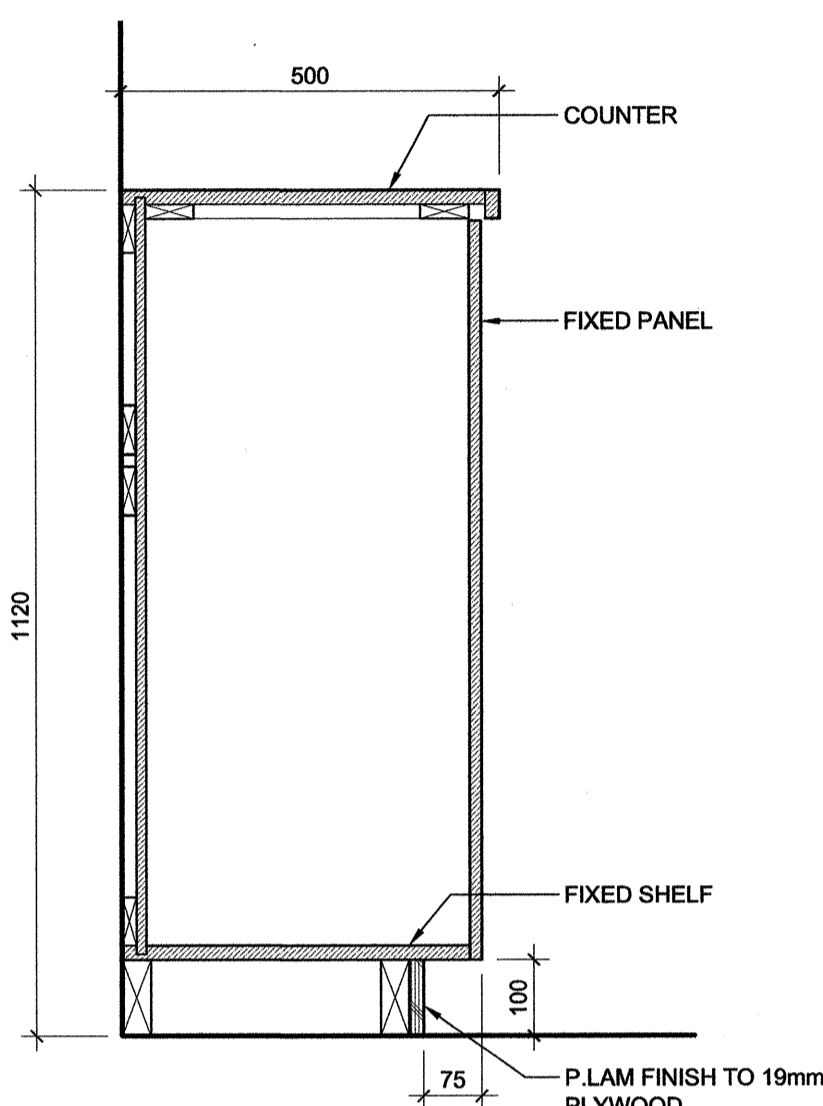
Code	Material	Manufacturer	Series / Colour	Finish	Location
<b>06 40 00 Architectural WoodWork</b>					
P.Lam-1	Plastic Laminate	Wilsonart/Formica/Arborte	Full range of solids, textures, prints	Textured / Matte	Admin. Storage Millwork
P.Lam-2	Plastic Laminate	Wilsonart/Formica/Arborte	Full range of solids, textures, prints	Textured / Matte	Admin. Storage Millwork
<b>06 65 10 Solid Surface Material</b>					
SS-1	Solid Surface	Corian	Solid Colour as selected from full range	N/A	Transaction top at Pony Wall
<b>09 65 16 Resilient Sheet Flooring</b>					
RSF1A	Resilient Sheet Flooring	Polyflor	Stonewall, 8230, 2000 Pur	PUR	Refer to Floor Pattern Drawing 1/A-4
RSF1B	Resilient Sheet Flooring	Polyflor	Shadwo 8150, 2000 Pur	PUR	Refer to Floor Pattern Drawing 1/A-4
HW-1	Heat Weld Rod	Polyflor	To match to RSF 1A	N/A	Use for non pattern welds
HW-2	Heat Weld Rod	Polyflor	To match to RSF 1B	N/A	Use for non pattern welds
HW-3	Heat Weld Rod	Polyflor	To accentuate pattern	N/A	Refer to Floor Pattern Drawing 1/A-4
<b>06 66 00 Plastic Laminate</b>					
P.Lam-1	Plastic Laminate	Wilsonart/Formica/Arborte	TBD	TBD	Admin. Storage Millwork
P.Lam-2	Plastic Laminate	Wilsonart/Formica/Arborte	TBD	TBD	Admin. Storage Millwork
<b>09 68 13 Textile Composite Flooring</b>					
TCF-1	Composite Textile Flooring	Kinetex	Flash 610 x 610 Colour to be selected from full range of	N/A	Refer to Floor Pattern Drawing 1/A-4
TCF-2	Composite Textile Flooring	Kinetex	Flash 610 x 610 Colour to be selected from full range of	N/A	Refer to Floor Pattern Drawing 1/A-4
RWB1	Resilient Wall Base	Johnsonite, Roppe	100 mm H. Top Set base	To be selected from manufacturer's full range of colours	Within Suite
RWB2	Resilient Wall Base	Johnsonite, Roppe	100 mm H. Top Set base	To be selected to match the corridor wall base	Corridor
TS	Transition Strip	Johnsonite	CE-XXA Colour to be selected from manufacturer's full range of colours.	N/A	Refer to Floor Pattern Drawing 1/A-4
<b>09 90 00 Paint</b>					
PT1	Interior Paint	ICI Paints	Belgian Lace #82YY 85/036	20-35% sheen @ 60°	Field
PT2	Interior Paint	Pratt & Lambert	Sparkling Wine, 15-3	20-35% sheen @ 60°	Accent
PT3	Interior Paint	Pratt & Lambert	Hersperia, 25-30	20-35% sheen @ 60°	Accent
PT4	Interior Paint	TBD	To match to the existing corridor colour	20-35% sheen @ 60°	Field
PT5	Interior Paint	Pratt & Lambert	Hersperia, 25-30	35-70% sheen @ 60°	Door
PT6	Interior Paint	Pratt & Lambert	25-18 Deep Charcoal	35-70% sheen @ 60°	Door frames
<b>10 90 00 Miscellaneous Specialties</b>					
WC	Window Covering	Urban Edge, Shade O Matic	TBD	N/A	All exterior windows

Ownership of Documents: Drawings and specifications as instruments of service are and shall remain the property of the Architect whether the project for which they are made is executed or not. They are not to be used by the owner on other projects or extensions to this project except by agreement in writing and with appropriate compensation to the Architect.

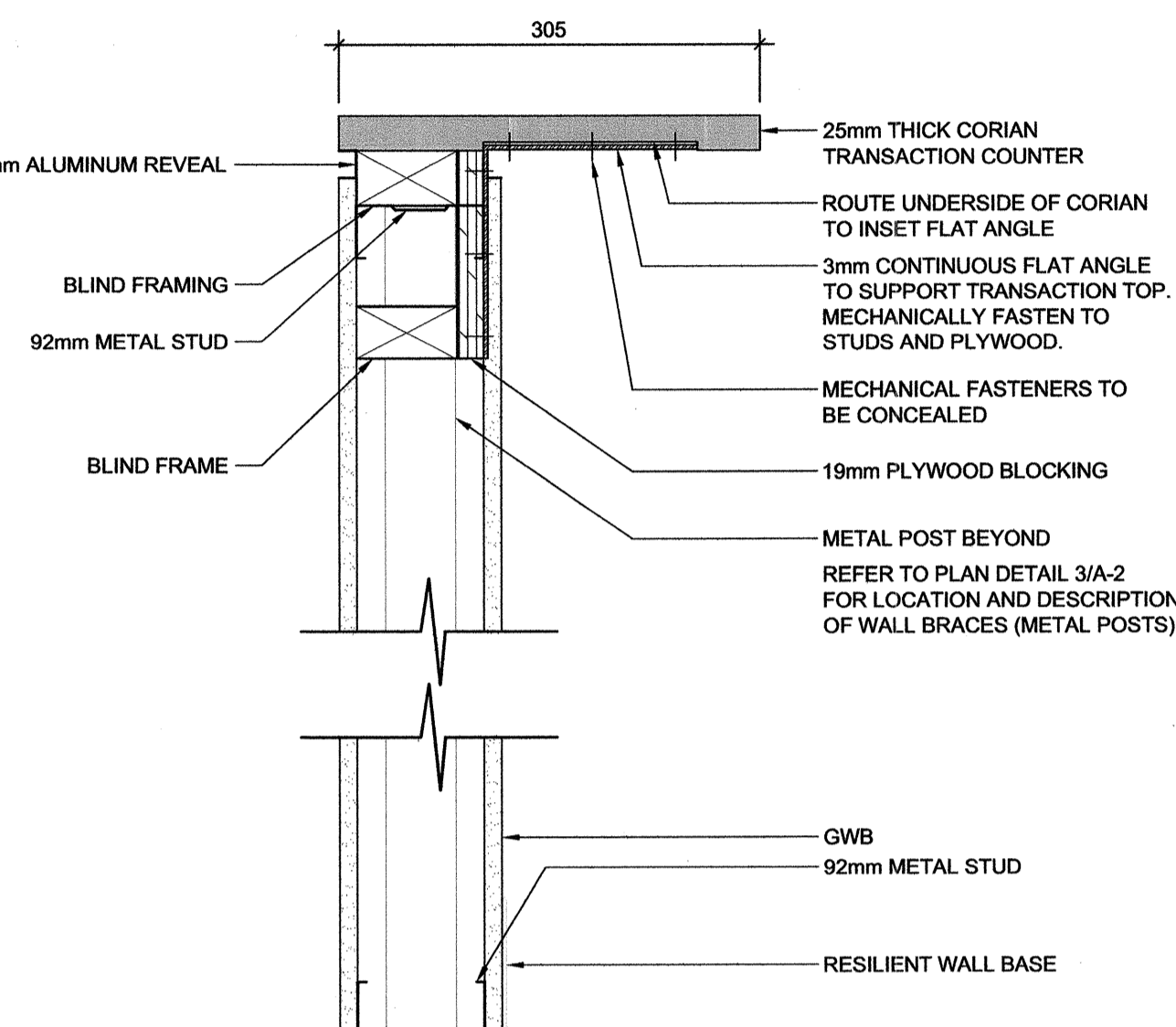
This drawing shall not be scaled. Follow given dimensions only.



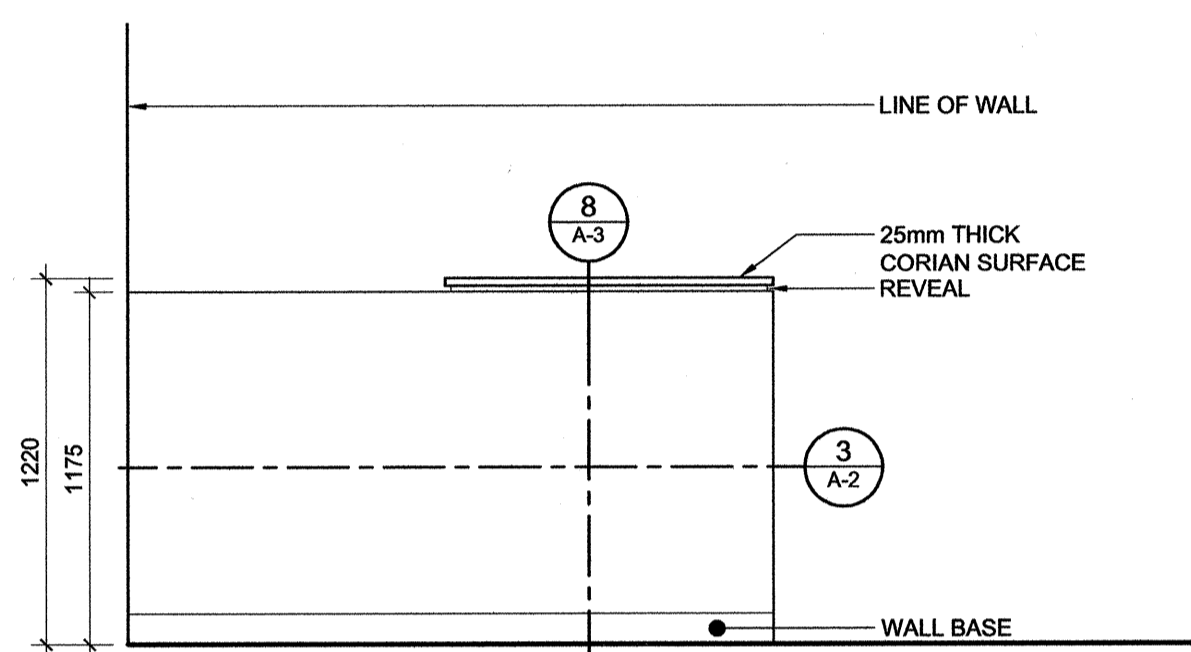
**1 N. ELEVATION**  
A-3 Scale 1:50



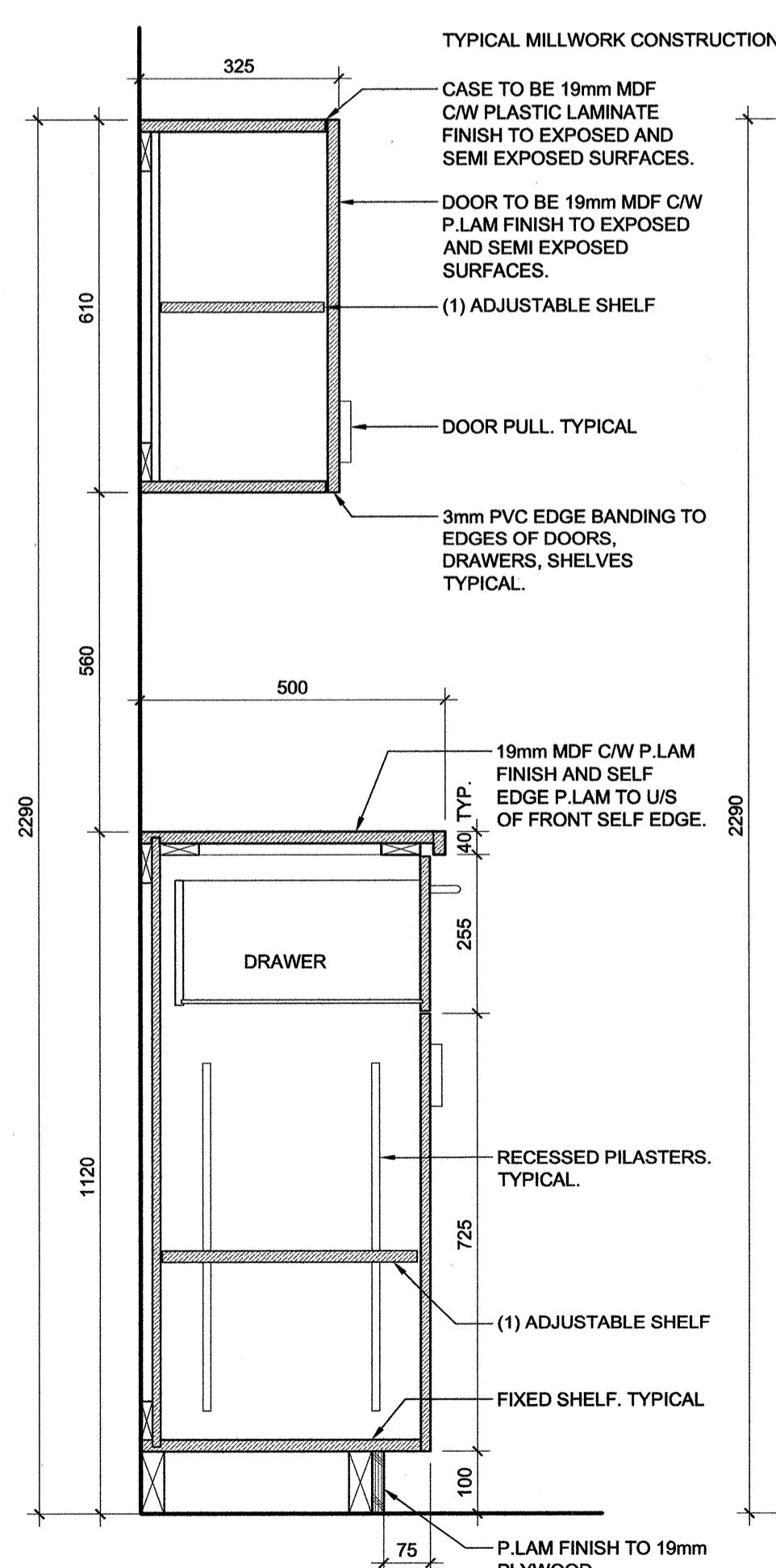
**3 SECTION DETAIL**  
A-3 Scale 1:10



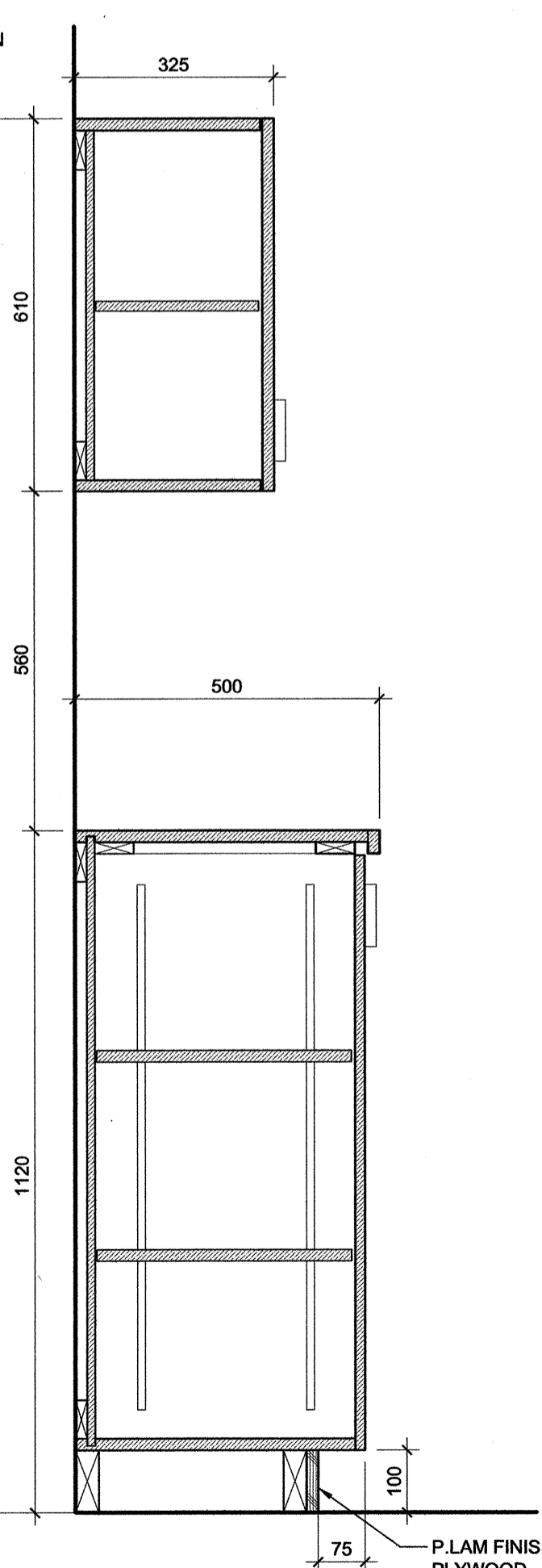
**8 SECTION DETAIL**  
A-3 Scale 1:5



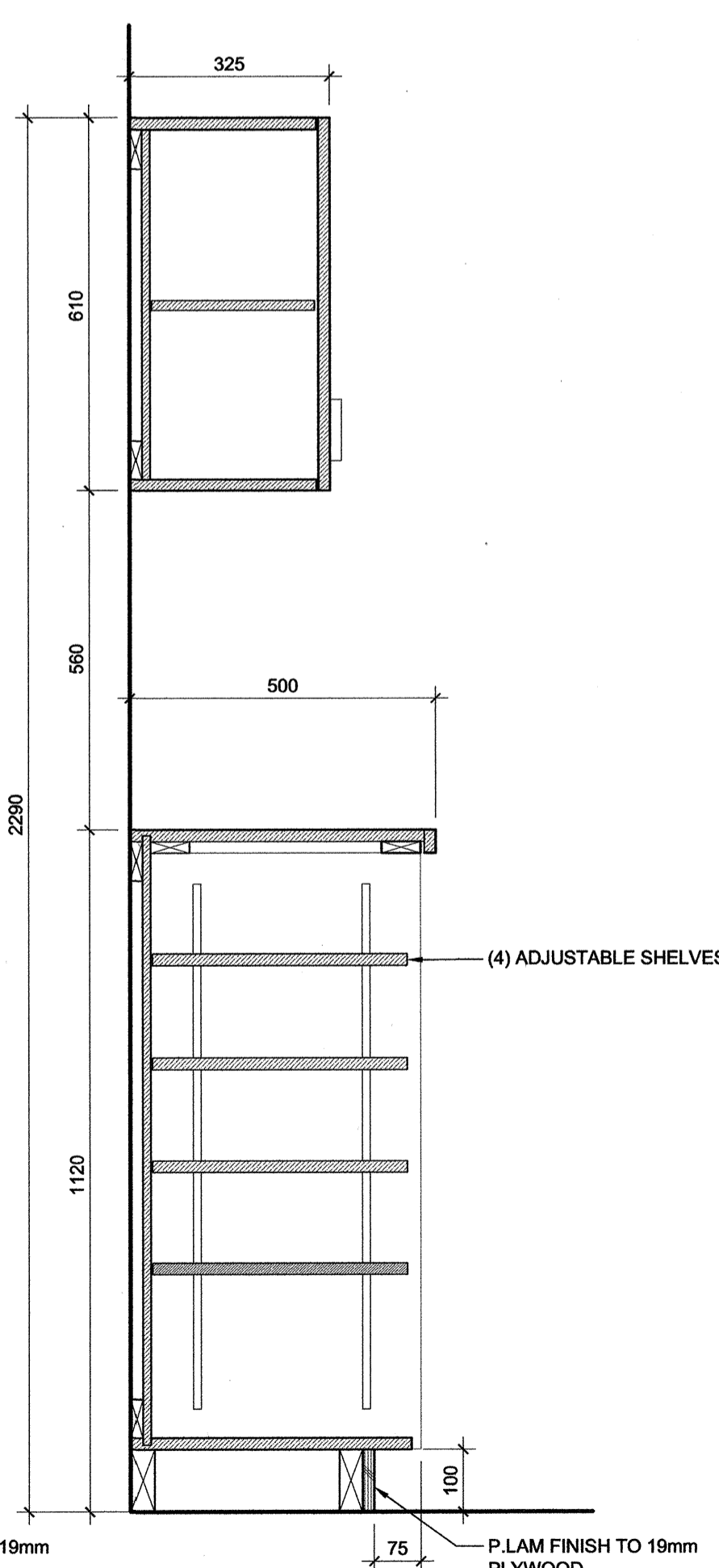
**2 N. ELEVATION**  
A-3 Scale 1:25



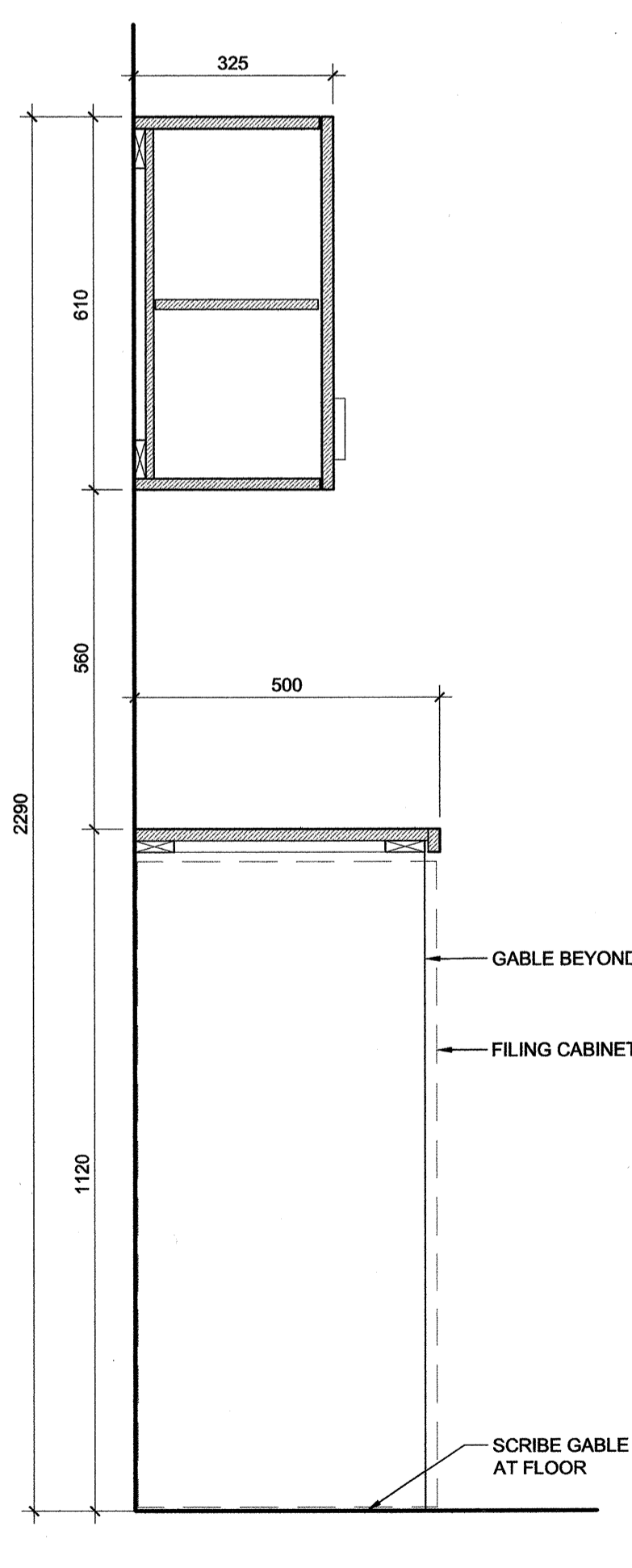
**4 SECTION DETAIL**  
A-3 Scale 1:10



**5 SECTION DETAIL**  
A-3 Scale 1:10



**6 SECTION DETAIL**  
A-3 Scale 1:10



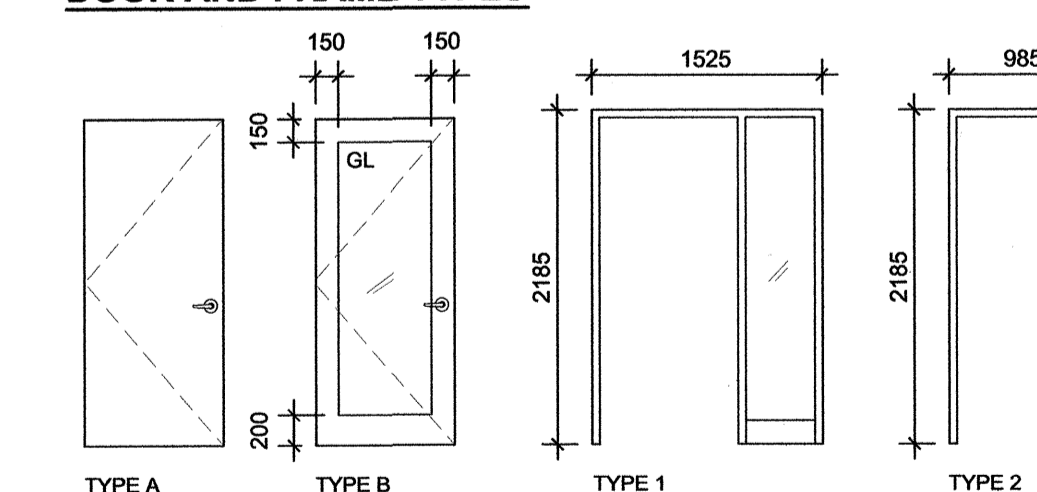
**7 SECTION DETAIL**  
A-3 Scale 1:10

**END OF SECTION**

**DOOR SCHEDULE**

Door Number	Size	DOORS			FRAMES			CODE	FIRE RATING	REMARKS
		Material	Type	Finish	Material	Type	Finish			
D01	915 x 2134 x 44	HM	A	PT	HM	1	PT	1	-	
D02	915 x 2134 x 44	HM	B	PT	HM	2	PT	2	-	

**DOOR AND FRAME TYPES**



**HARDWARE CODES**

**HWSET:01**

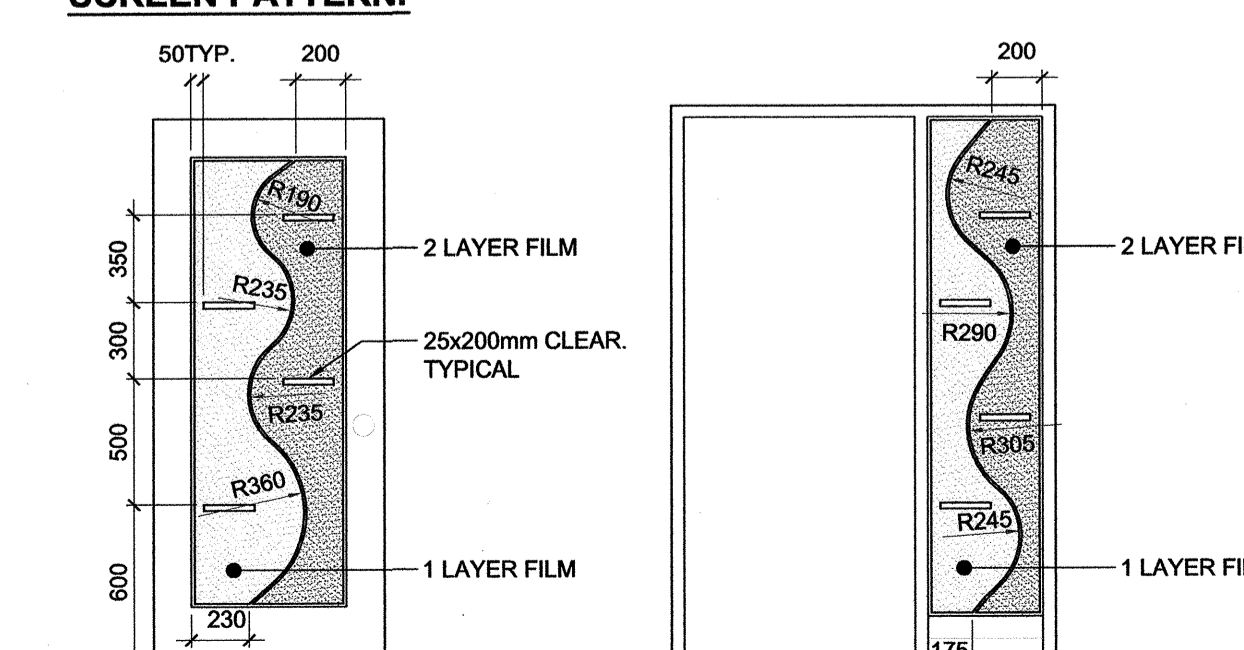
1	EA	1 1/2" PAIR BUTT HINGES
1	EA	LEVER LOCKSET
1	EA	CLOSER
1	EA	DOOR STOP (FLOOR MOUNTED)

**NOTE: TIE INTO CARD READER SYSTEM.**

**HWSET:02**

1	EA	1 1/2" PAIR BUTT HINGES
1	EA	LEVER LOCKSET
1	EA	DOOR STOP (FLOOR MOUNTED)

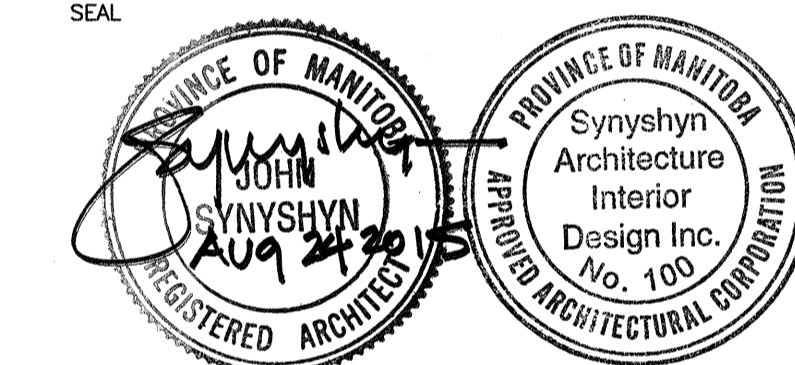
**SCREEN PATTERN.**



ISSUED FOR

ISSUED FOR CONSTRUCTION AUGUST 24, 2015

SEAL



ARCHITECT / PRIME CONSULTANT

**SYNSHYN**  
ARCHITECTURE + INTERIOR DESIGN INC.

MANITOBA • ALBERTA  
T: 204.947-1100  
F: 204.956-5742

603-63 Albert Street info@synshyn.com  
Winnipeg, Manitoba  
R3B 1G4 Canada www.synshyn.com

ENGINEERING CONSULTANT

ENGINEERING CONSULTANT

PROJECT TITLE  
**CENTRAL YARDS FIELD SERVICES BUILDING**

**1220 PACIFIC AVENUE OFFICE RENOVATION**

1220 PACIFIC AVE. WINNIPEG MANITOBA

DRAWING TITLE

**723-2015 ELEVATIONS AND SCHEDULES\_A3-R0**

DESIGNED BY JN DRAWN BY JN/AK

ISSUE DATE 08-24-2015 REVISION No. 0

PROJECT No. 15004 DRAWING No. A-3