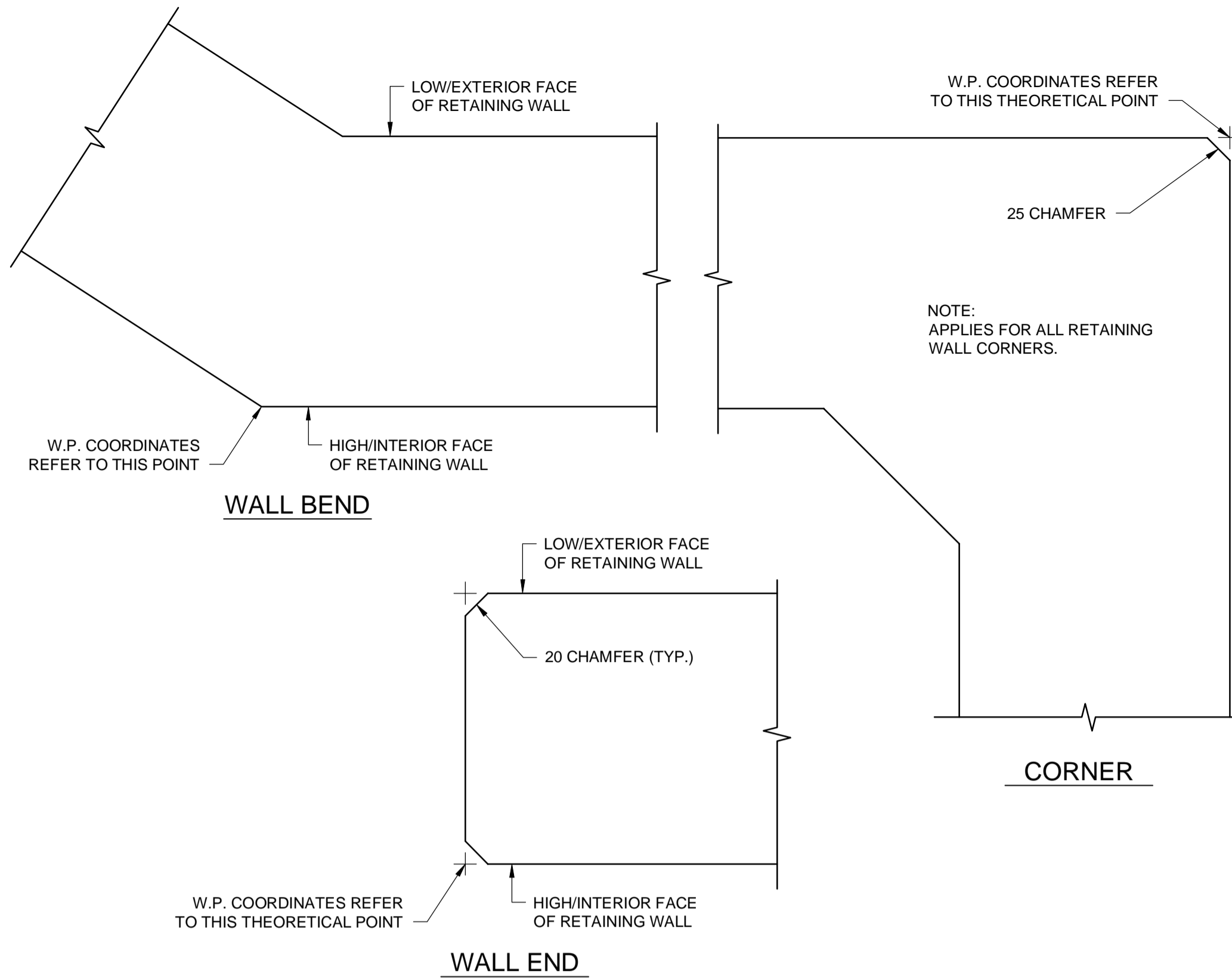
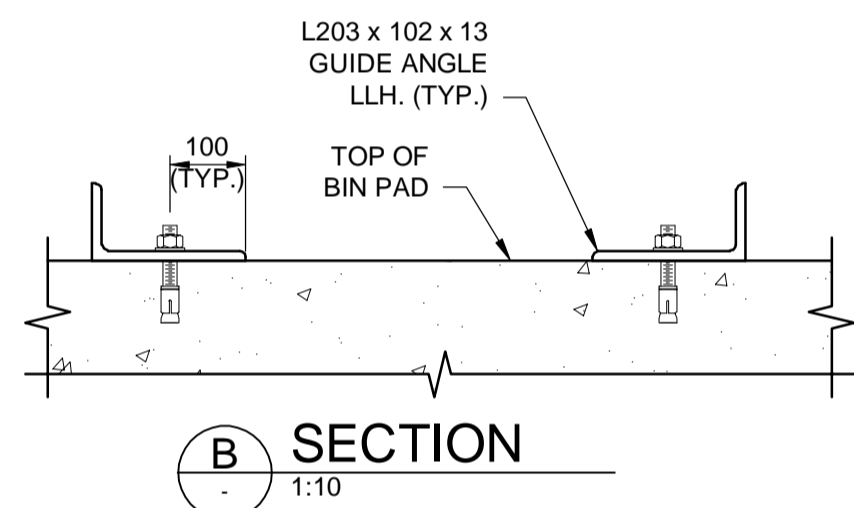


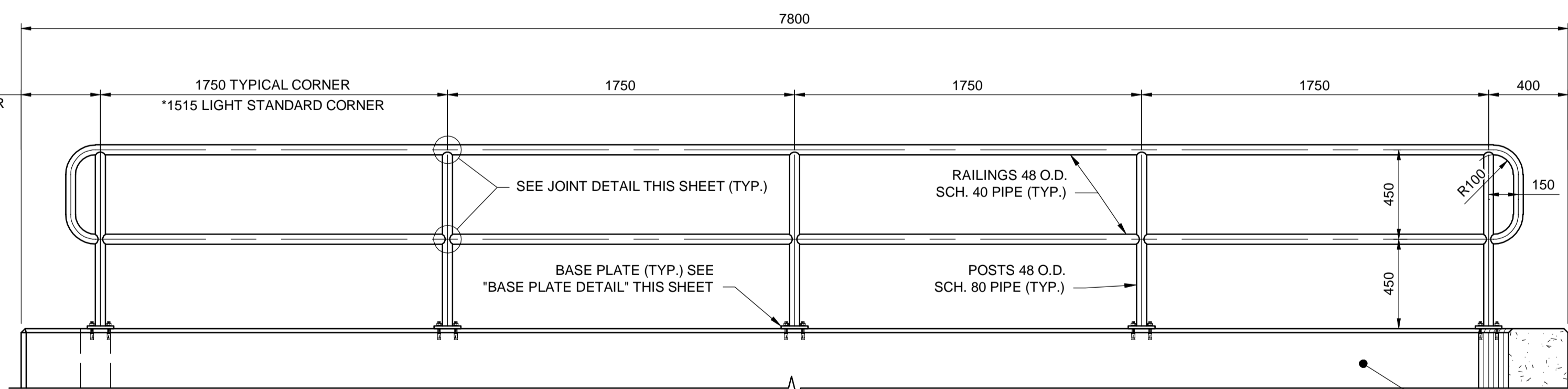
BIN GUIDE RAILS - PLAN
1:30



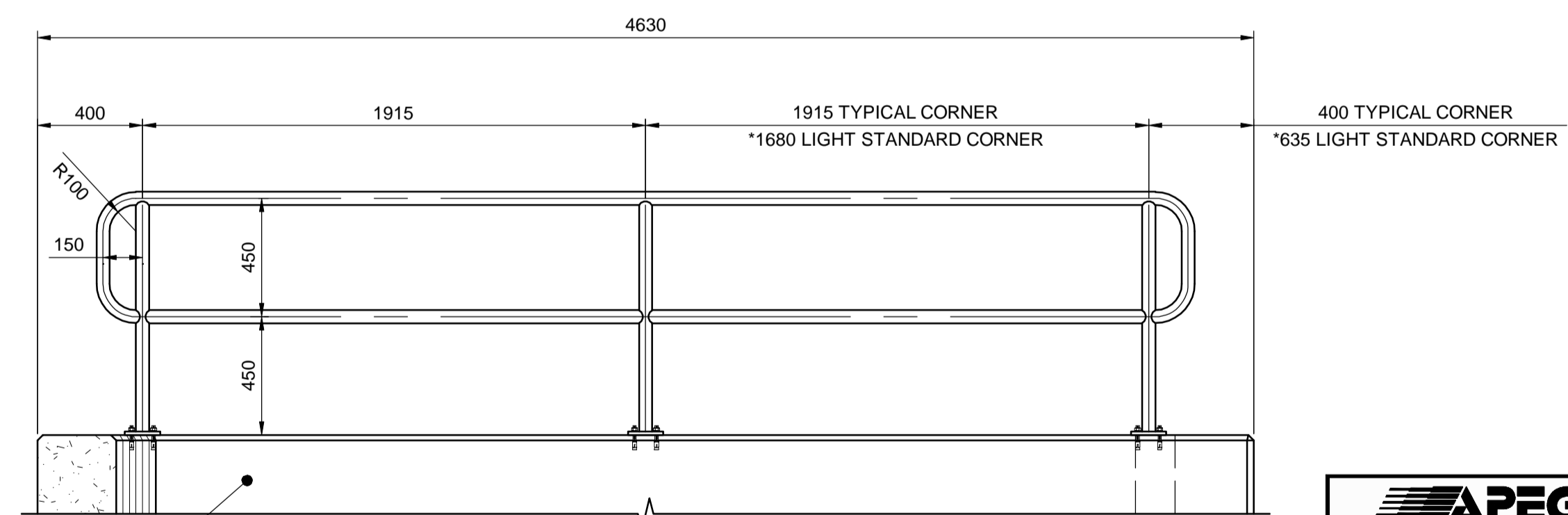
WORKING POINT REFERENCE DETAILS
1:5

RETAINING WALL WORKING POINT COORDINATES							
UTM GRID COORDINATE SYSTEM							
W.P. No.	UTM X	UTM Y	ELEVATION	W.P. No.	UTM X	UTM Y	ELEVATION
W.P. 01	628710.437	5513103.624	234.015	W.P. 28	628706.020	5512983.844	234.015
W.P. 02	628704.794	5513097.436	234.015	W.P. 29	628701.905	5512981.702	234.015
W.P. 03	628699.550	5513094.261	234.015	W.P. 30	628706.202	5512975.186	234.015
W.P. 04	628703.847	5513087.744	234.015	W.P. 31	628702.086	5512973.044	234.015
W.P. 05	628699.731	5513085.603	234.015	W.P. 32	628706.383	5512966.527	234.015
W.P. 06	628704.028	5513079.086	234.015	W.P. 33	628702.267	5512964.386	234.015
W.P. 07	628699.912	5513076.944	234.015	W.P. 34	628706.564	5512957.869	234.015
W.P. 08	628704.209	5513070.428	234.015	W.P. 35	628702.557	5512955.793	234.015
W.P. 09	628700.094	5513068.286	234.015	W.P. 36	628699.942	5512951.528	234.015
W.P. 10	628704.391	5513061.769	234.015	W.P. 37	628735.151	5512923.956	234.015
W.P. 11	628700.275	5513059.628	234.015	W.P. 38	628739.241	5512926.900	234.015
W.P. 12	628704.572	5513053.111	234.015	W.P. 39	628741.150	5512930.996	234.015
W.P. 13	628700.456	5513050.969	234.015	W.P. 40	628747.841	5512926.975	234.015
W.P. 14	628704.753	5513044.453	234.015	W.P. 41	628749.809	5512931.177	234.015
W.P. 15	628700.637	5513042.311	234.015	W.P. 42	628756.499	5512927.156	234.015
W.P. 16	628704.934	5513035.794	234.015	W.P. 43	628758.467	5512931.358	234.015
W.P. 17	628700.818	5513033.652	234.015	W.P. 44	628765.158	5512927.337	234.015
W.P. 18	628705.115	5513027.136	234.015	W.P. 45	628767.125	5512931.539	234.015
W.P. 19	628700.999	5513024.994	234.015	W.P. 46	628773.816	5512927.518	234.015
W.P. 20	628705.296	5513018.478	234.015	W.P. 47	628775.784	5512931.720	234.015
W.P. 21	628701.180	5513016.336	234.015	W.P. 48	628782.474	5512927.699	234.015
W.P. 22	628705.477	5513009.819	234.015	W.P. 49	628784.442	5512931.901	234.015
W.P. 23	628701.361	5513007.677	234.015	W.P. 50	628791.133	5512927.881	234.015
W.P. 24	628705.658	5513001.161	234.015	W.P. 51	628793.101	5512932.082	234.015
W.P. 25	628701.542	5512999.019	234.015	W.P. 52	628799.791	5512928.062	234.015
W.P. 26	628705.839	5512992.502	234.015	W.P. 53	628801.759	5512932.264	234.015
W.P. 27	628701.723	5512990.361	234.015	W.P. 54	628808.463	5512928.578	234.015

NOTE:
FOR RETAINING WALL WORKING POINT LAYOUT REFER TO SHEET S1.

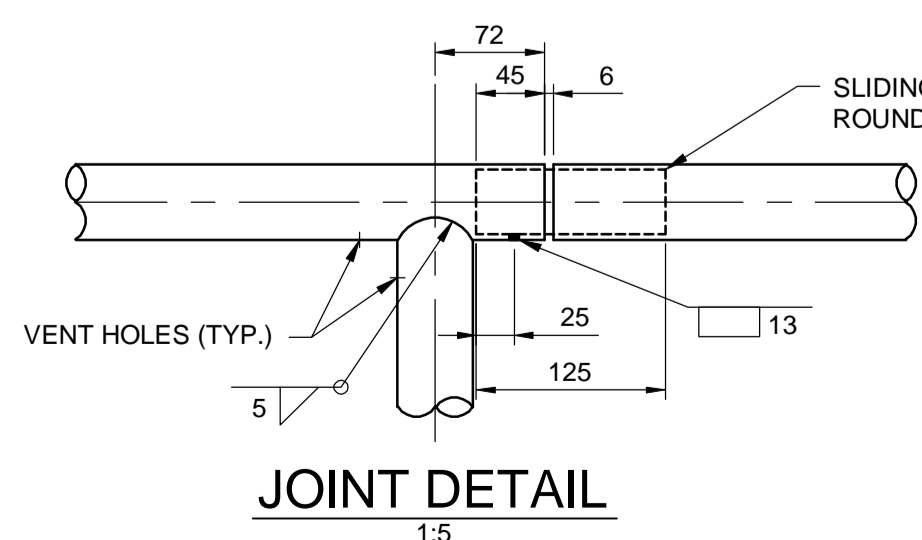


RAILING ELEVATION - LONG WALL
1:20

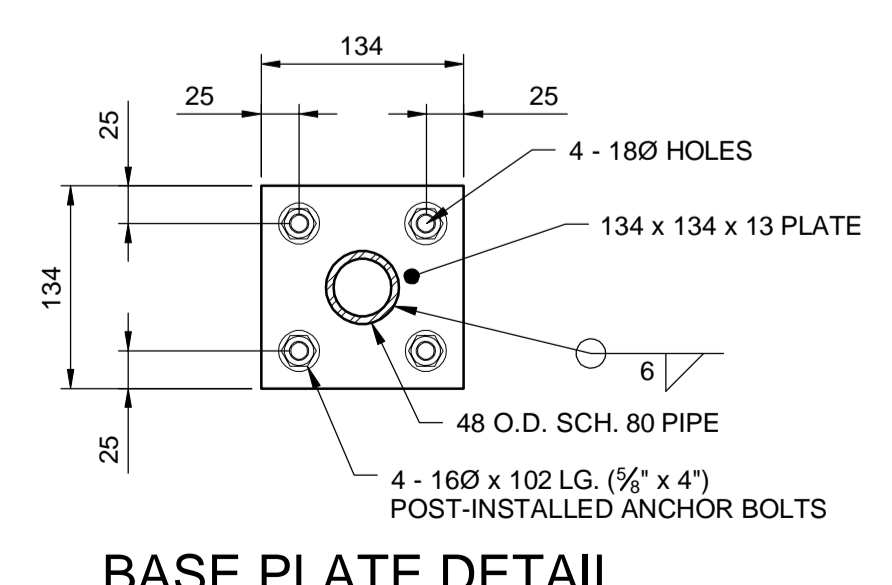


RAILING ELEVATION - SHORT WALL
1:20

*NOTE:
FOR DIMENSIONS INDICATED, VERIFY GAP BETWEEN
LIGHT STANDARDS AND RAILING MAX 100mm.



JOINT DETAIL
1:5



BASE PLATE DETAIL
1:5



METRIC

WHOLE NUMBERS INDICATE MILLIMETRES
DECIMALIZED NUMBERS INDICATE METRES

B.M. ELEV. 1 ISSUED FOR TENDER 14/06/19 ARR NO. REVISIONS DATE BY	DESIGNED BY CDW DRAWN BY KB CHECKED BY SSR APPROVED BY ARR				CITY DRAWING NUMBER 1-0400A-S0002-002 SHEET 10 OF 35
	HOR. SCALE AS NOTED VERTICAL				RELEASED FOR CONSTRUCTION CONSULTANT PROJECT NUMBER 13-8224

G:\CAD\DWG\138224-09-Structural\01-Contract\Brody\138224-09-RETAINING WALLS 2.dwg