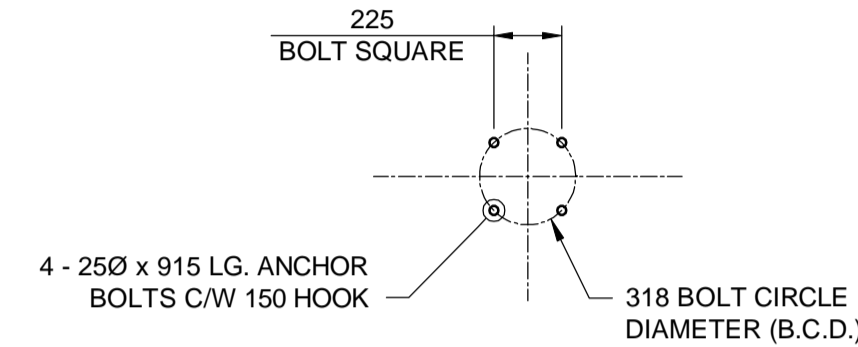
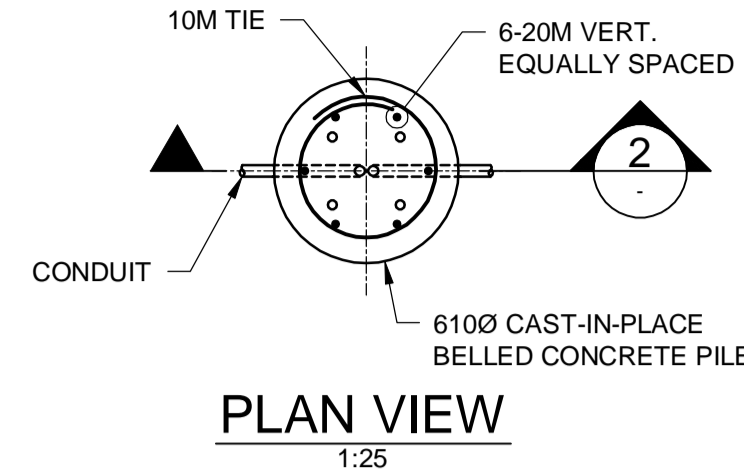


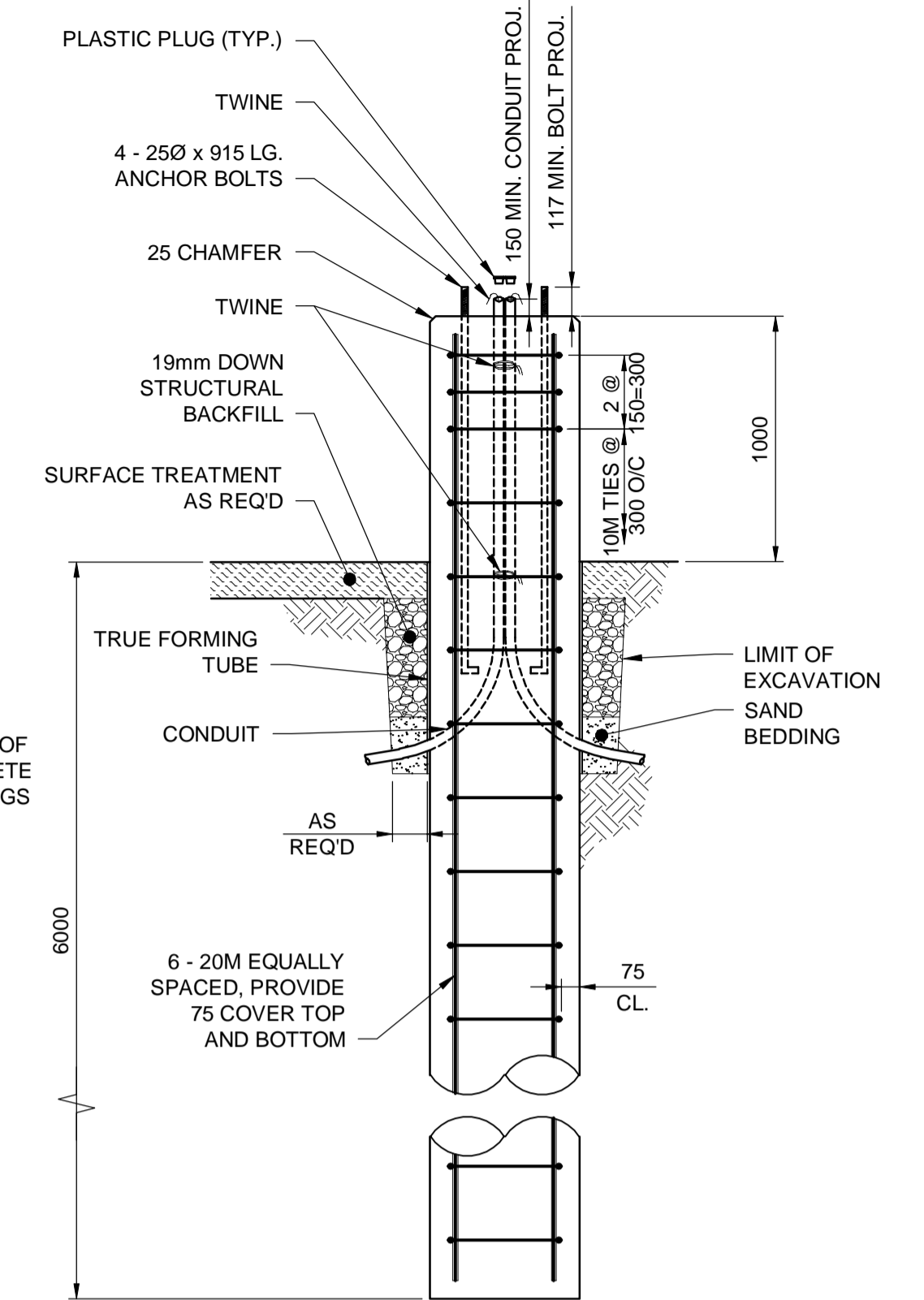
POLE BASE COORDINATES							
UTM GRID COORDINATE SYSTEM							
PILE NO.	ATTACHMENT	UTM X	UTM Y	PILE NO.	ATTACHMENT	UTM X	UTM Y
PB-1	SL-1	628675.379	5512911.438	PB-13	SL-21	628820.832	5512981.303
PB-2	VI-03	628678.579	5512911.438	PB-14	SL-20	628789.403	5513009.600
PB-3	SL-9	628694.390	5512927.219	PB-15	VI-10 & VI-12	628804.761	5513012.007
PB-4	VI-04	628702.146	5512937.355	PB-16	SL-19	628775.138	5513034.942
PB-5	SL-8	628710.400	5512921.359	PB-17	SL-18	628753.610	5513065.933
PB-6	VI-06	628707.586	5512914.903	PB-18	SL-17	628742.433	5513086.742
PB-7	SL-2	628717.110	5512905.298	PB-19	SL-16	628723.600	5513112.545
PB-8	SL-3 & SL-4	628823.324	5512913.446	PB-20	SL-15	628710.155	5513107.798
PB-9	VI-08 & VI-09	628823.490	5512910.335	PB-21	VI-11	628730.788	5513133.753
PB-10	SL-26	628830.385	5512897.024	PB-22	SL-24	628711.878	5513141.029
PB-11	SL-23	628865.095	5512907.280	PB-23	VI-01	628691.296	5513135.832
PB-12	SL-22	628827.510	5512942.287	PB-24	SL-25	628676.812	5513122.251

NOTE:  
FOR LIGHT STANDARD BASE LAYOUT REFER TO SHEET S1.

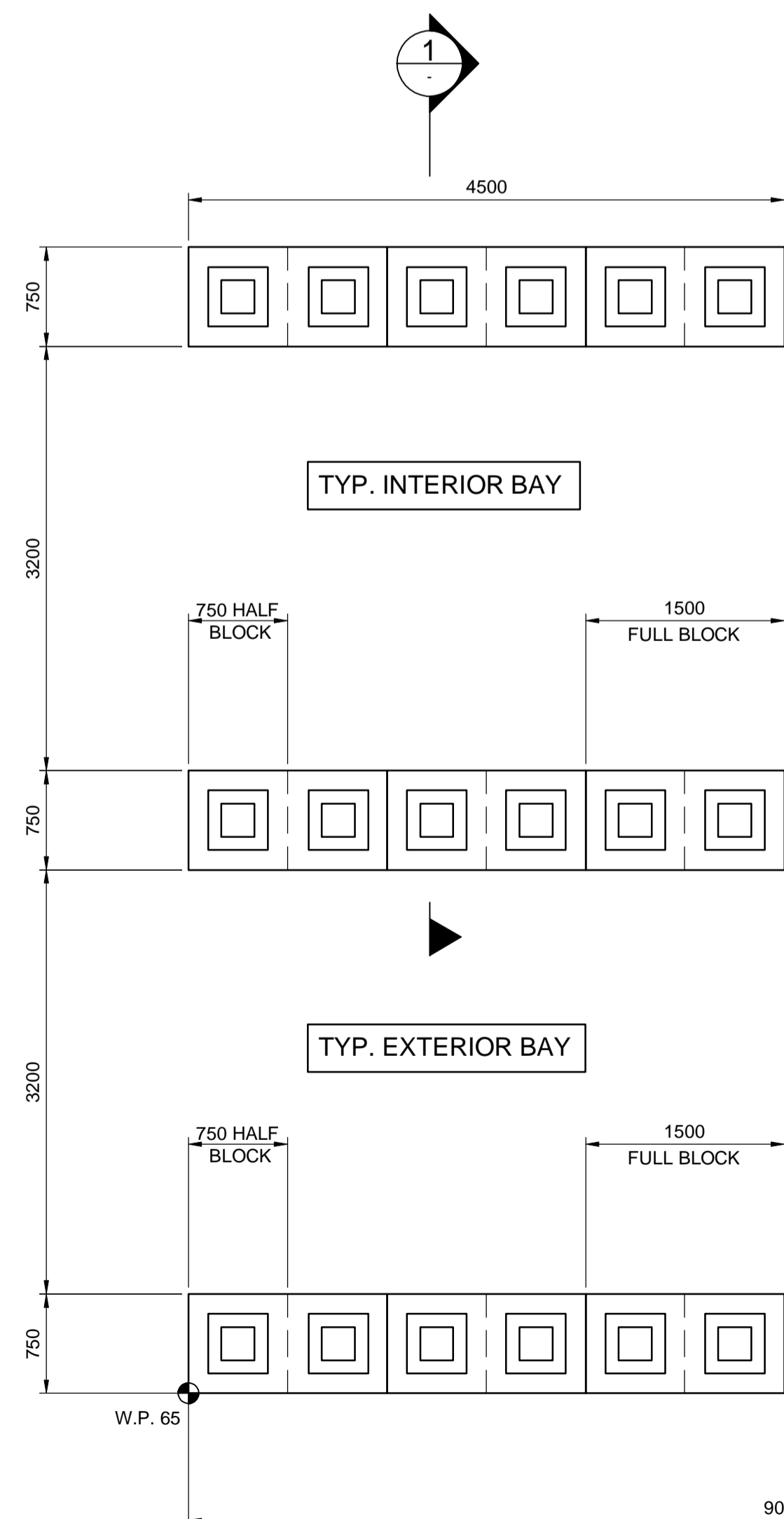


ANCHOR BOLT ORIENTATION TO SUIT LIGHT STANDARD ORIENTATION,  
SEE LIGHT STANDARD LOCATIONS ON SHEET EG.

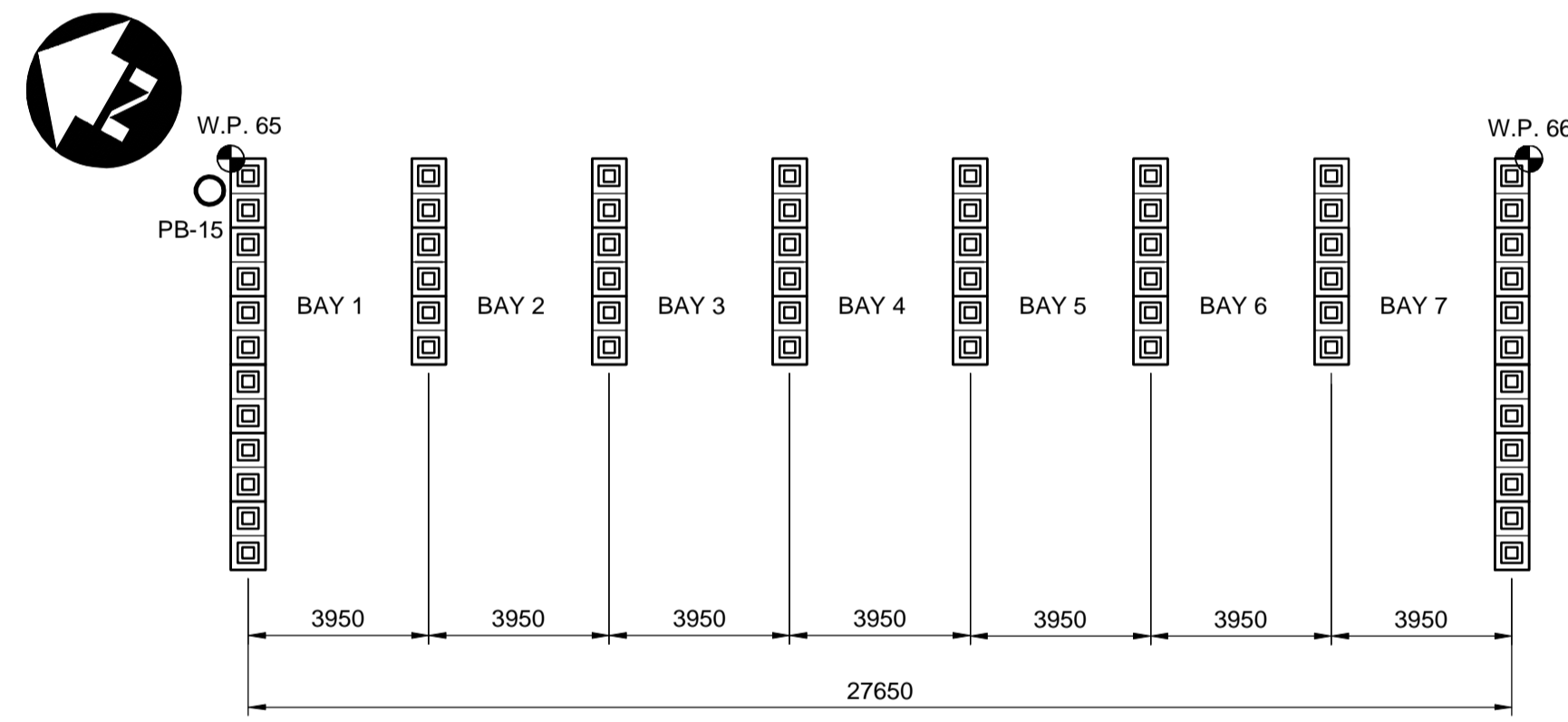
NOTE: VERIFY ANCHOR BOLT LAYOUT WITH POLE SUPPLIER



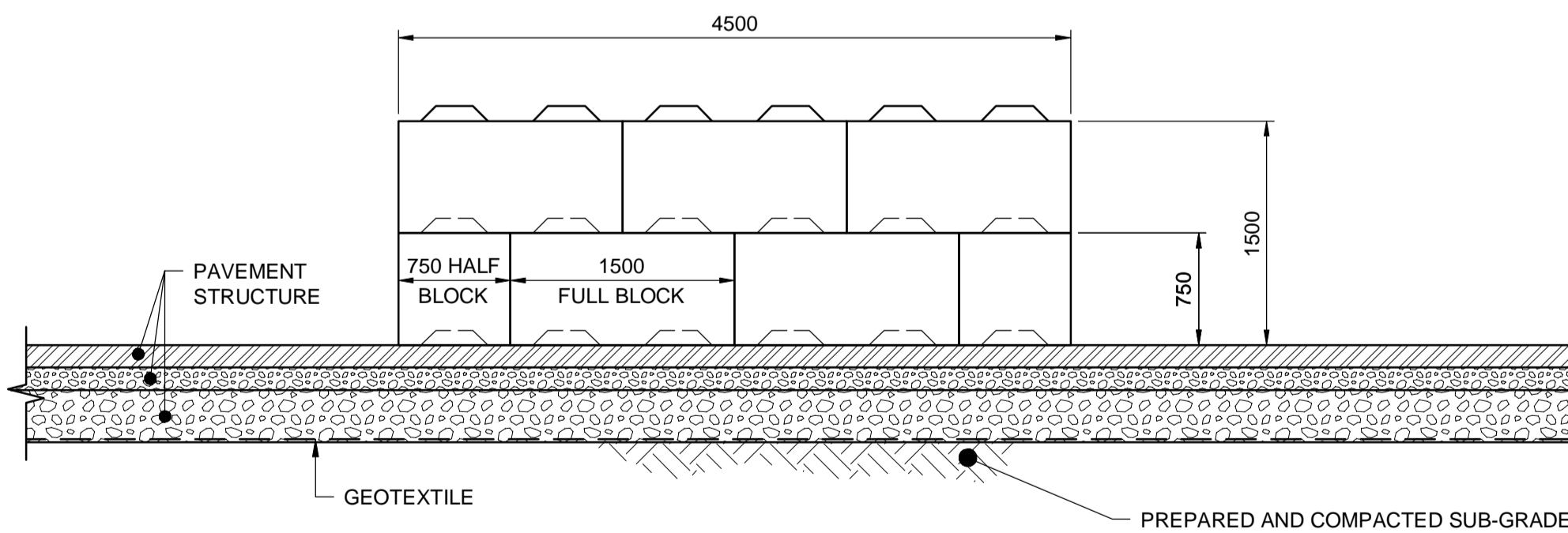
NOTE:  
ALL CONDUITS SHALL BE BUNDLED INTO A GROUP IN CENTER OF BASE, AND TIED TOGETHER BELOW THE TOP OF THE BASE PRIOR TO CONCRETE POUR. INSTALL PLASTIC PLUGS PRIOR TO CONCRETE POUR.



PARTIAL PLAN - YARD WASTE BUNKERS  
1:40

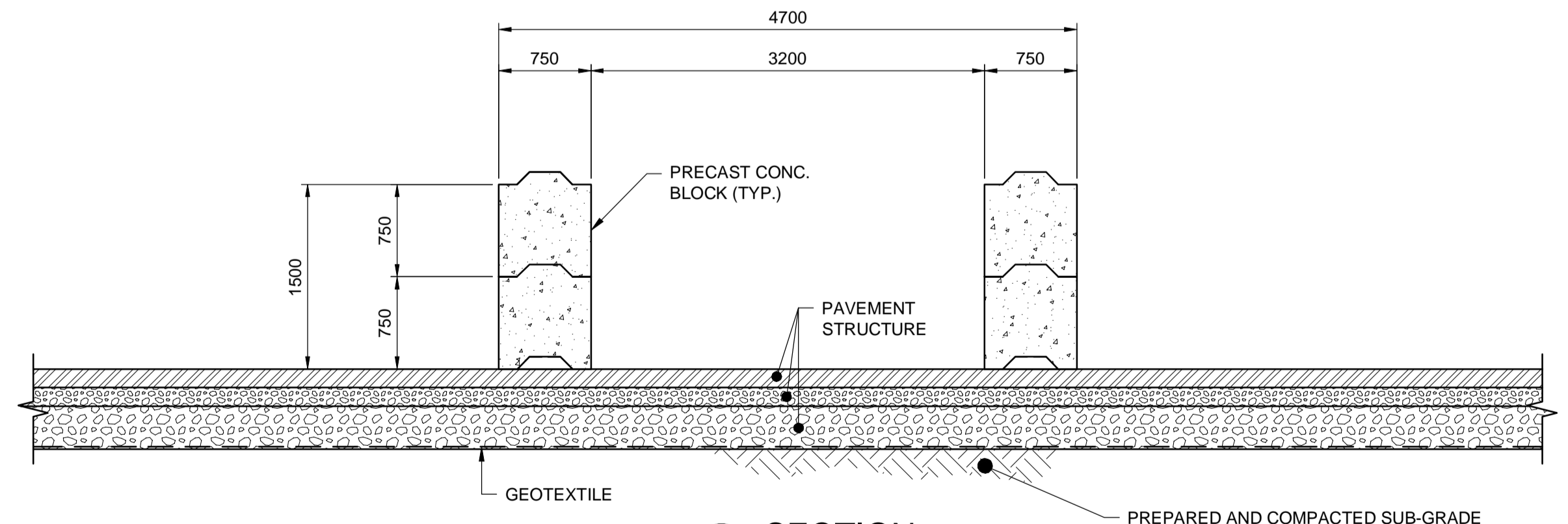


KEY PLAN  
1:150



INTERIOR BAY ELEVATION  
1:40

YARD WASTE BUNKERS WORKING POINT COORDINATES		
UTM GRID COORDINATE SYSTEM		
W.P. No.	NORTHING	EASTING
W.P. 65	5 513 065.884	628 754.445
W.P. 66	5 513 041.245	628 768.569



SECTION 1  
1:40

SECTION 2  
1:25  
SEE SHEET S1 FOR LIGHT STANDARD BASE LOCATIONS

G:\CAD\DWG\138224\09-Structural\01-Conteac\Brady\138224-09-YARD WASTE BUNKERS AND LIGHT STANDARDS BASES.dwg



B.M. ELEV.	DESIGNED BY	CDW
	DRAWN BY	KB
	CHECKED BY	SSR
	APPROVED BY	ARR
	HOR. SCALE	AS NOTED
	VERTICAL	
1 ISSUED FOR TENDER	14/06/19	ARR
NO. REVISIONS	DATE	BY
		DATE
		MARCH 2014

**DILLON CONSULTING**

RELEASED FOR CONSTRUCTION

ENGINEER'S SEAL

PROVINCE OF MANITOBA  
ORIGINAL STAMPED BY  
C.D. WARD  
2014/06/19  
Member  
24456  
REGISTERED PROFESSIONAL ENGINEER

CONSULTANT PROJECT NUMBER  
13-8224

**THE CITY OF WINNIPEG**  
WATER AND WASTE DEPARTMENT

4R WINNIPEG DEPOT  
BRADY ROAD RESOURCE  
MANAGEMENT FACILITY

YARD WASTE BUNKERS AND  
LIGHT STANDARD BASE DETAILS

CITY DRAWING NUMBER  
1-0400A-S0003-001

SHEET 12 OF 35

CONSULTANT DRAWING NUMBER  
S5