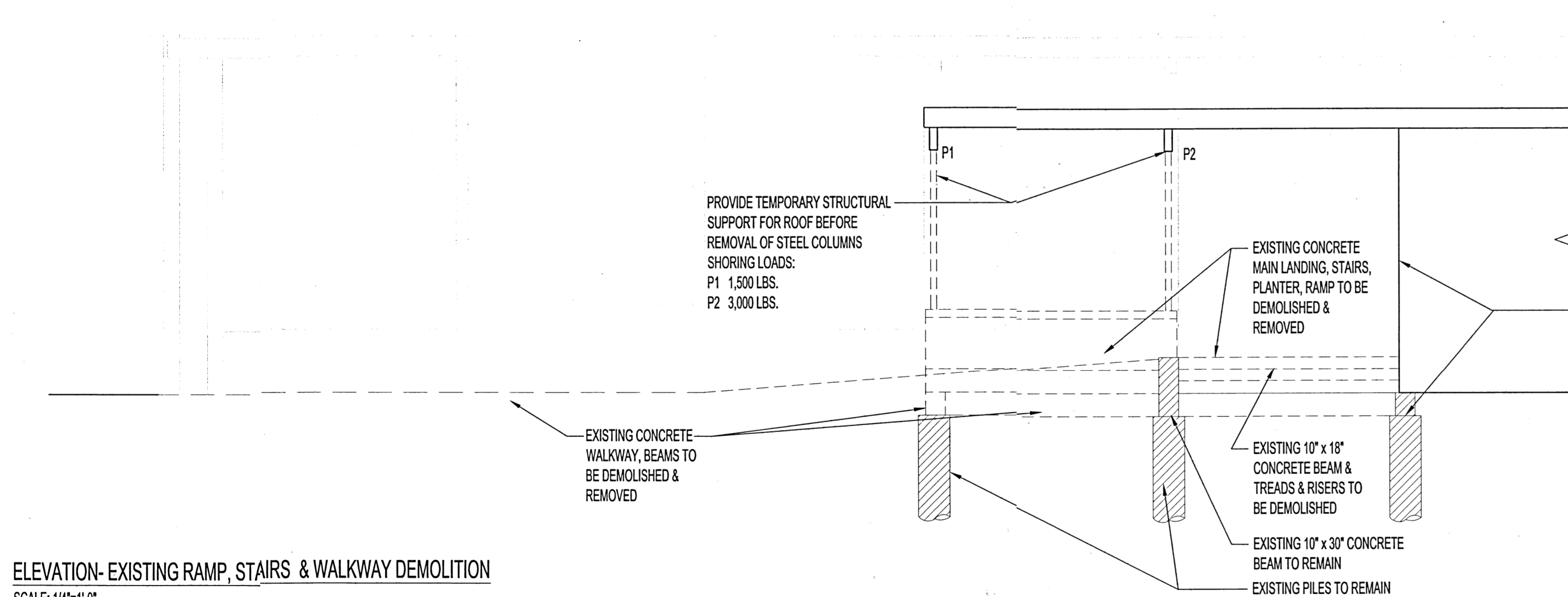


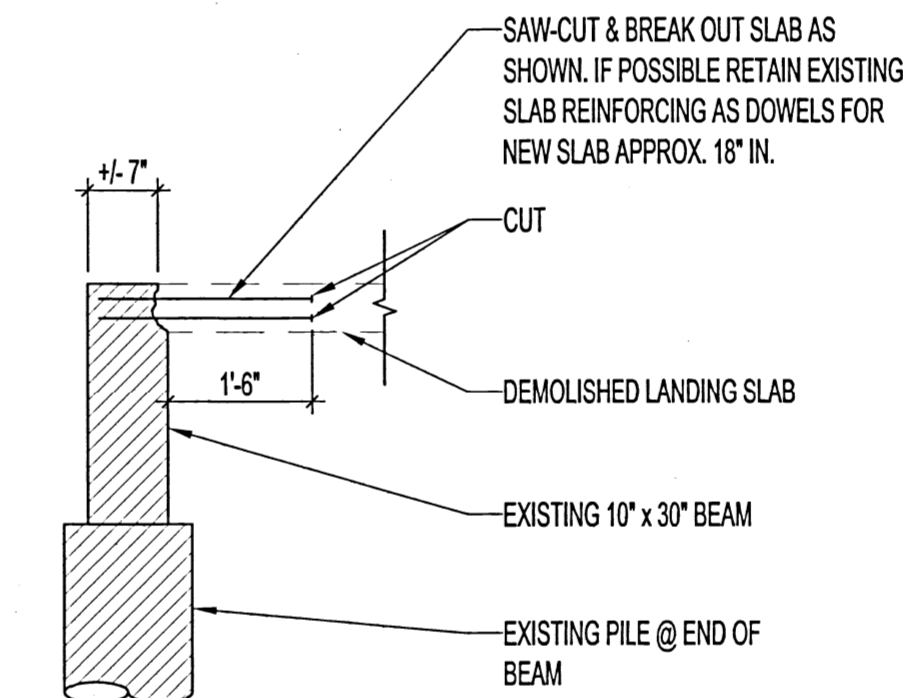
1 PARTIAL SITE PLAN - EXISTING RAMP, STAIRS & WALKWAY DEMOLITION
 SCALE: 1/4"=1'-0"

DEMOLITION NOTES:

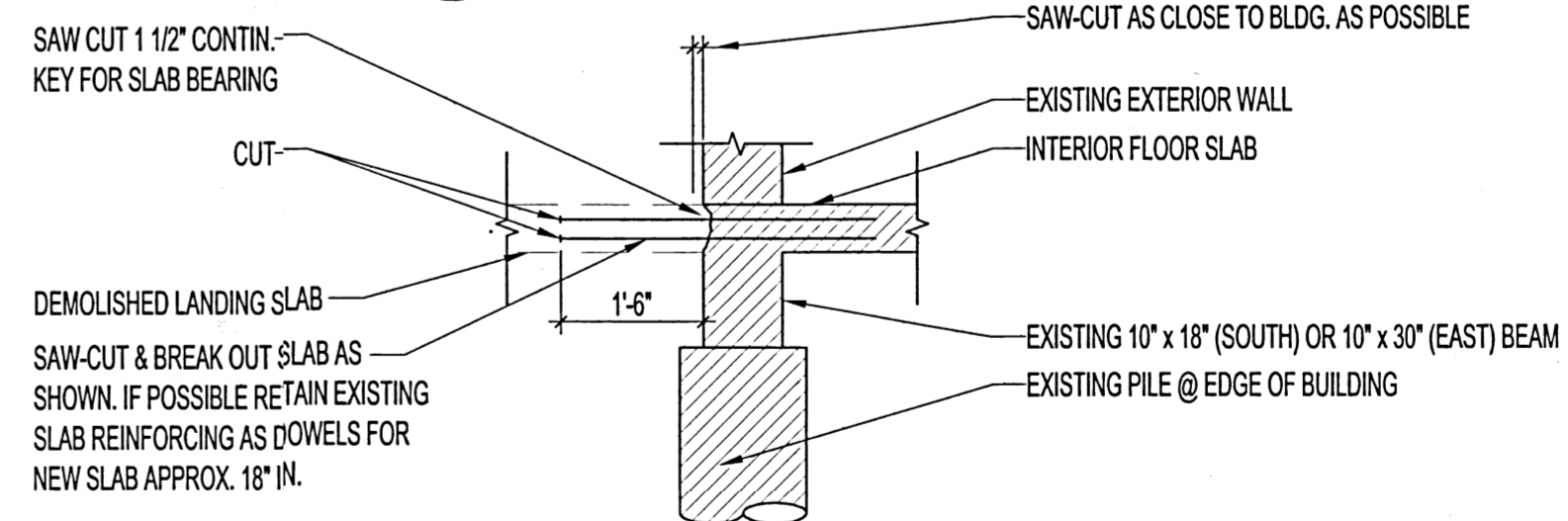
- 1 SAW CUT, DEMOLISH & REMOVE EXISTING CONCRETE WALKWAY AS DIMENSIONED. PREPARE SURFACES FOR NEW CONCRETE LANDINGS PADS & RAMPS.
- 2 REMOVE & DISCARD ALL CONCRETE PADS AS SHOWN. BENCH TO BE REMOVED FROM CONCRETE & DISCARDED. SEE LANDSCAPE DRAWING FOR NEW FINISHES.
- 3 DEMOLISH & REMOVE CONCRETE RAMP & METAL RAILING AS DIMENSIONED.
- 4 DEMOLISH EXISTING BEAMS DOWN TO EXISTING PILES. DEMOLISH EXISTING FACE BRICK PLANTER, STEEL SUPPORT COLUMNS DOWN TO PILES. EXISTING BEAMS AS SHOWN ON PLAN TO REMAIN. PREPARE SURFACES FOR NEW FOUNDATIONS, BEAMS, RAMP & STEEL COLUMNS
- 5 DEMOLISH EXISTING HAND RAILINGS, (PATCH EXISTING FACE BRICK ON WALL WHERE RAIL WAS REMOVED). DEMOLISH EXISTING MAIN STAIR LANDING, STAIRS DOWN TO BEAMS. PREPARE SURFACES FOR NEW LANDING & STAIRS. SEE DEMOLITION SECTIONS FOR DETAILS.
- 6 DEMOLISH EXISTING THREE CONCRETE RISERS & TREADS, 10" x 18" BEAM AT STAIRS DOWN TO PILES.
- 7 SAW CUT, DEMOLISH & REMOVE EXISTING CONCRETE WALKWAY AS DIMENSIONED. PREPARE SURFACES FOR NEW CONCRETE APPROACH & RAILING INSERTS.
- 8 REMOVE & DISCARD EXISTING REFUSE BIN & BENCH. BOTH ARE ANCHORED BELOW GRADE IN CONCRETE. BLUE RECYCLING BIN TO REMAIN ON SITE FOR REUSE.



ELEVATION- EXISTING RAMP, STAIRS & WALKWAY DEMOLITION
 SCALE: 1/4"=1'-0"

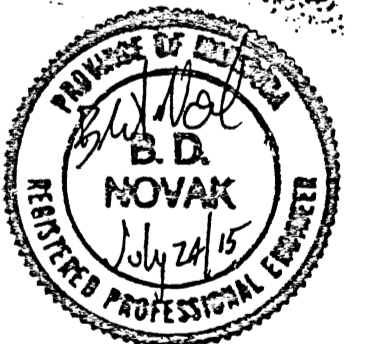


1 SECTION - DEMOLITION OF CONCRETE LANDING @ NORTH END
 SCALE: 1/2"=1'-0"



2 SECTION - DEMOLITION OF CONCRETE LANDING @ SOUTH & EAST ENDS
 SCALE: 1/2"=1'-0"

ISSUED FOR CONSTRUCTION		MMK 2015.07.24	
No.	REVISION/DESCRIPTION	BY	DATE
SEAL			



DRAWN	CHECKED	DESIGNED	APPROVED
DATE	USER	APPROVAL	
2015.05.07			

THE CITY OF WINNIPEG
 PLANNING, PROPERTY AND
 DEVELOPMENT DEPARTMENT
 MUNICIPAL ACCOMMODATIONS DIVISION
 3-65 GARRY STREET, R3C 4K4

PROJECT
**FORT GARRY LIBRARY
 EXTERIOR REFURBISHING**

1360 PEMBINA HIGHWAY
 SHEET TITLE

**PARTIAL SITE PLAN
 RAMP, STAIR & WALKWAY DEMOLITION**

SCALE	PROJECT No:	SHEET No:
AS SHOWN	2015-054	S1