

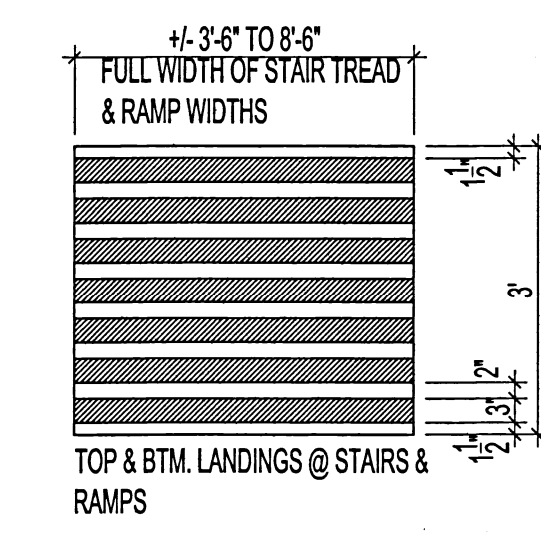
DETECTABLE WARNING SURFACE #2 (RECESSED IN CONCRETE) - SEE NOTES FOR DETAILS

DETECTABLE WARNING SURFACE #3 (RECESSED IN CONCRETE) - SEE NOTES FOR DETAILS

DETECTABLE WARNING SURFACE #4 (RECESSED IN CONCRETE) - SEE NOTES FOR DETAILS OF NUMBERS

DETECTABLE WARNING SURFACE #5 (RECESSED IN CONCRETE) - SEE NOTES FOR DETAILS

EXISTING WALKWAY



**NOTES:**

ALL HANDRAIL ASSEMBLIES TO BE 304L STAINLESS STEEL, FINISH: NO 4 (BRUSHED).

ALL OTHER GUARD RAIL ASSEMBLIES TO BE POWDER COATED GUN METAL COLOUR. SEE S2 FOR FINISH NOTES.

PROVIDE SHOP DRAWINGS FOR ALL RAIL ASSEMBLIES & COLUMNS.

**DETECTABLE WARNING SURFACES #1, #2, #3, #4 & #5**

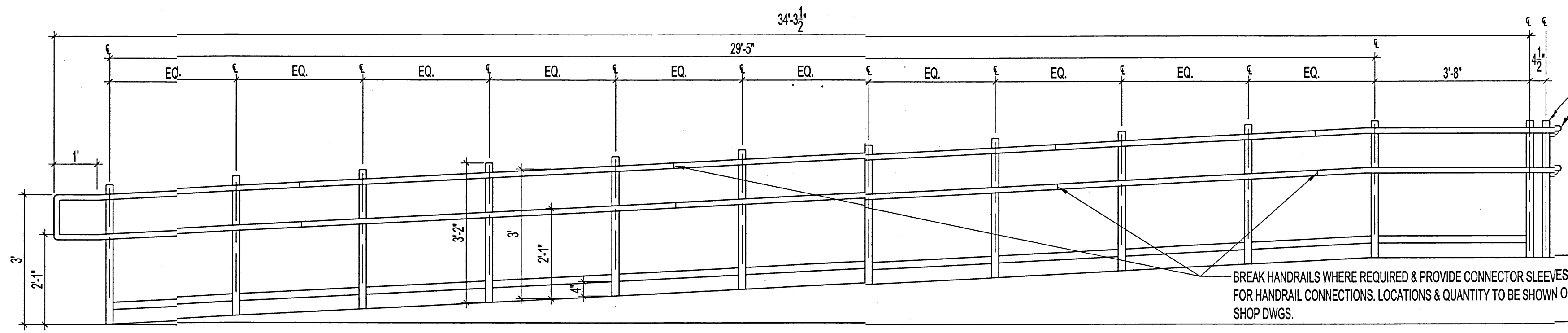
ALL DETECTABLE WARNINGS SURFACES ARE TO BE RECESSED INTO CONCRETE. SIZES AS INDICATED ON PLAN & TO FOLLOW THE STANDARDS OF THE LATEST MANITOBA BUILDING CODE 2010 & THE STANDARDS OF THE LATEST CITY OF WINNIPEG ACCESSIBILITY DESIGN STANDARDS 2010.

PRODUCTS TO BE SUPERGRIT BY WOOSTER. IN 3" WIDTHS. COLOUR SAFETY YELLOW SY-1, TYPE 231BF FOR TREAD NOSINGS. IMBEDDED TACTILE WARNING @ 1 1/2" FROM CONCRETE JOINTS & SPACED @ 2" APART FOR LANDINGS; TYPE TO BE 630A. ALL STAIR TREADS & LANDINGS @ TOP & BTM. TO BE INSTALLED INTO FRESH CONCRETE.

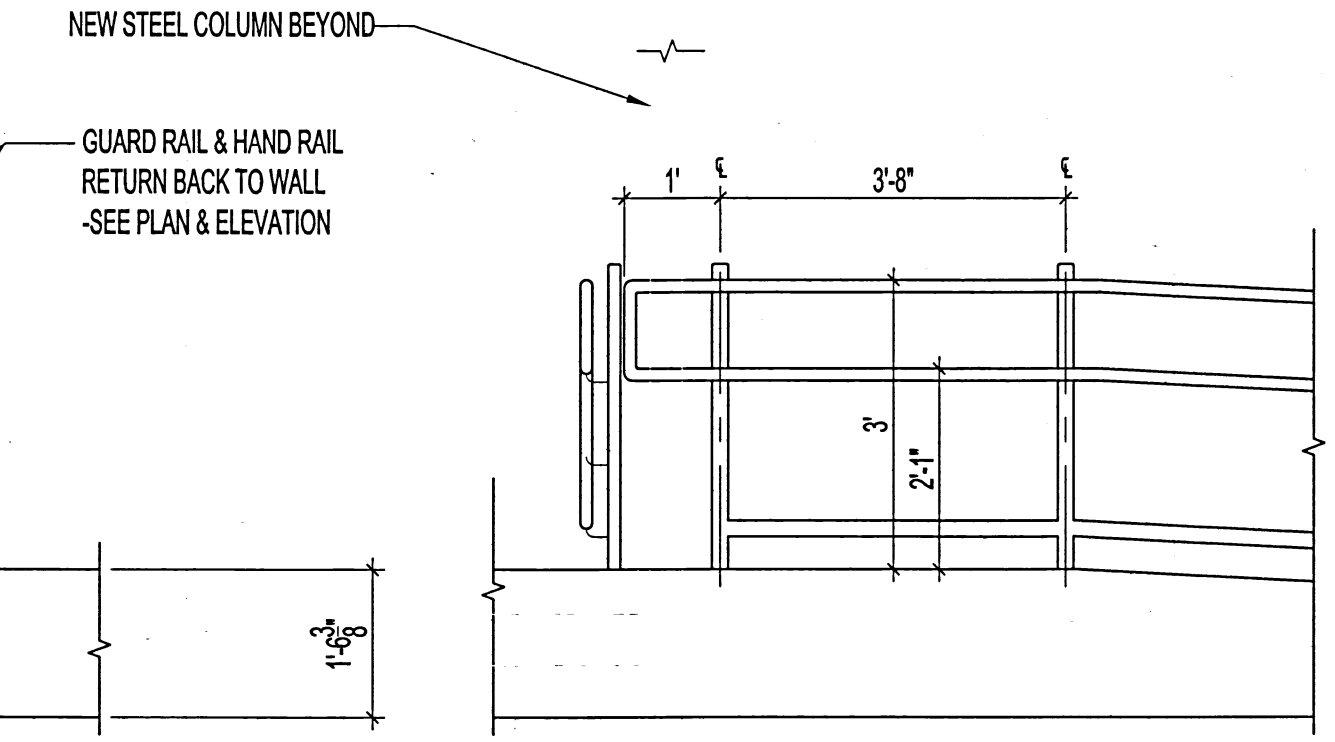
-ALL TREADS & LANDINGS @ TOP & BTM. TO BE INSTALLED CENTERED BETWEEN RAILINGS AND IN LOCATION & SPACING AND SIZES AS NOTED ON SECTIONS.

-REQUEST PROTECTIVE TAPE COVERING WHEN ORDERING.

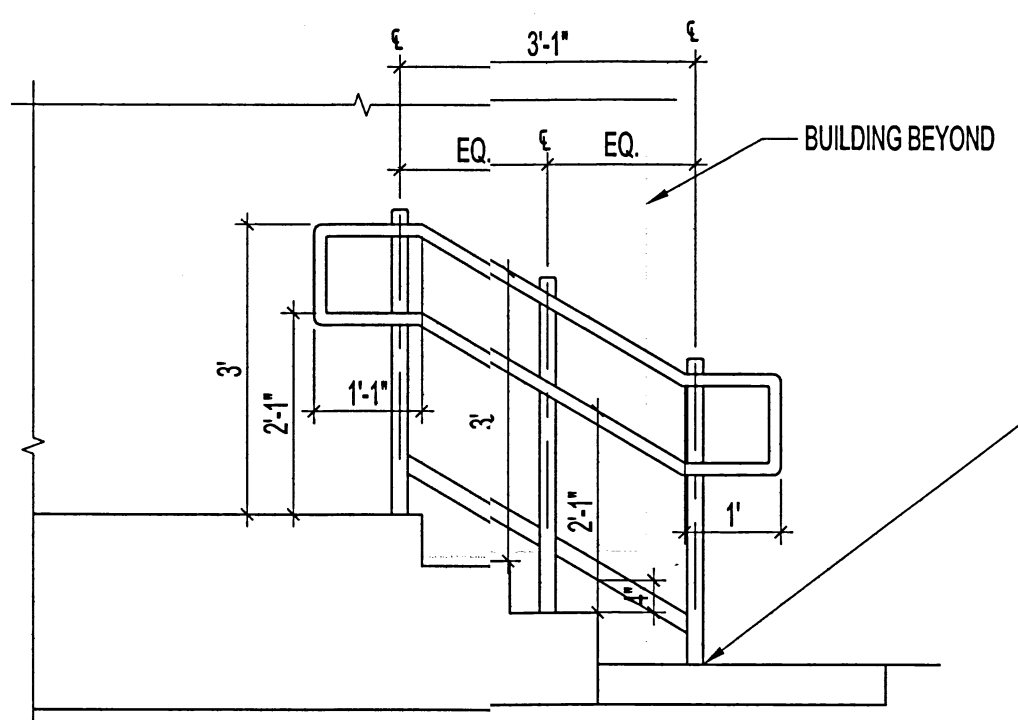
-INSTALL & ANCHOR AS PER MANUFACTURER'S INSTRUCTIONS.



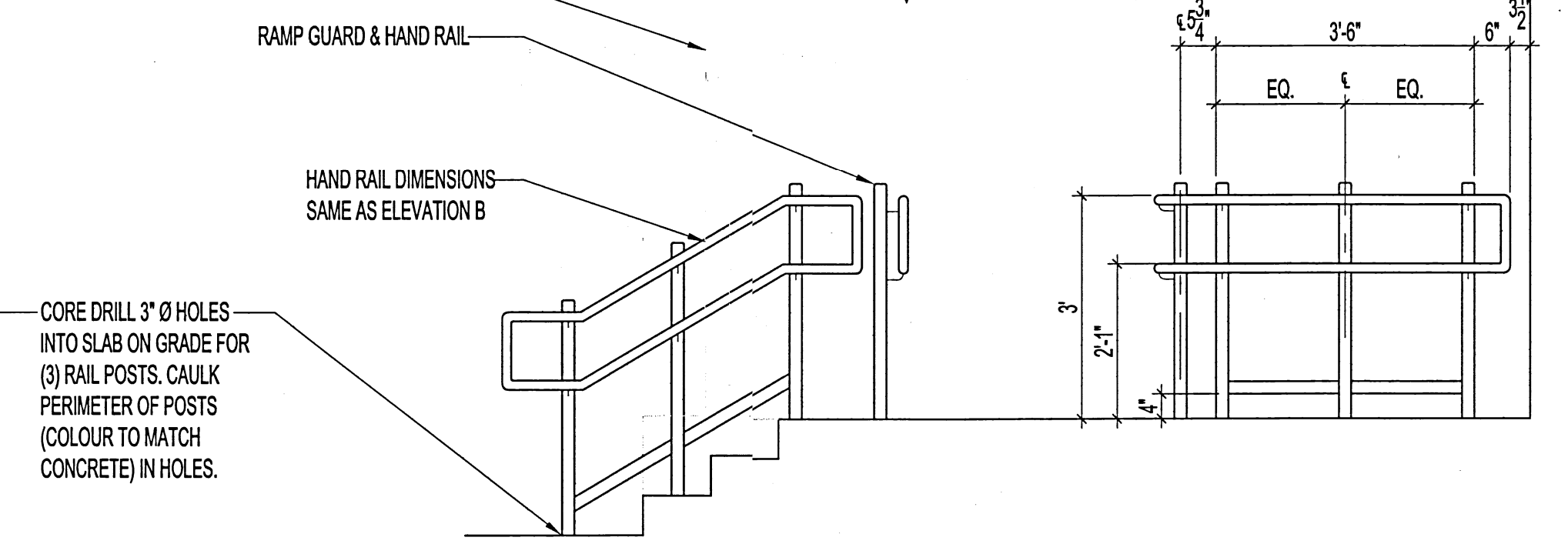
**A ELEVATION - GUARD RAIL & HANDRAIL (EAST SIDE)**  
SCALE: 1/2"=1'-0"



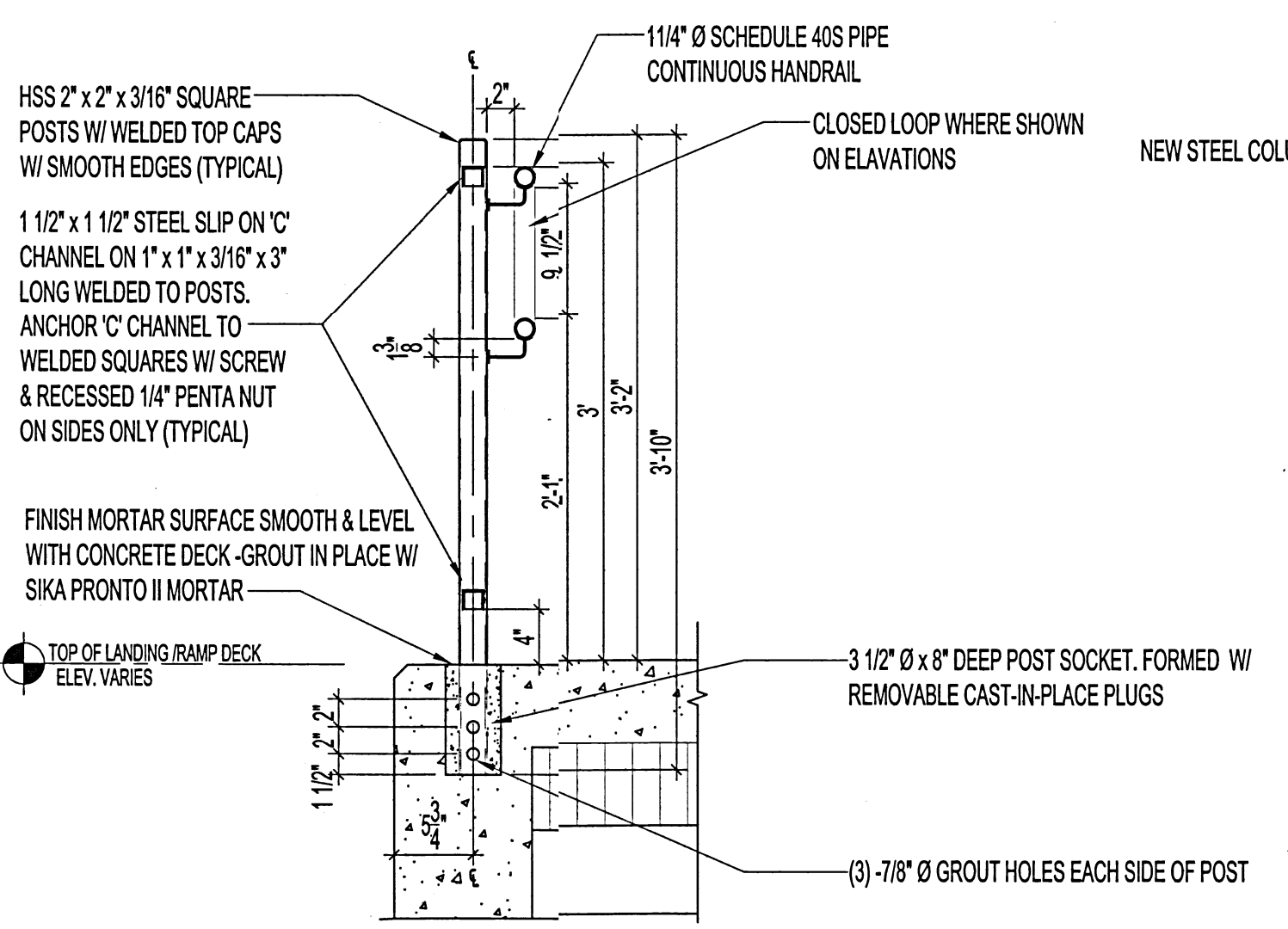
**A ELEVATION (SIMILAR PARTIAL) - GUARD RAIL & HANDRAIL (WEST SIDE)**  
SCALE: 1/2"=1'-0"



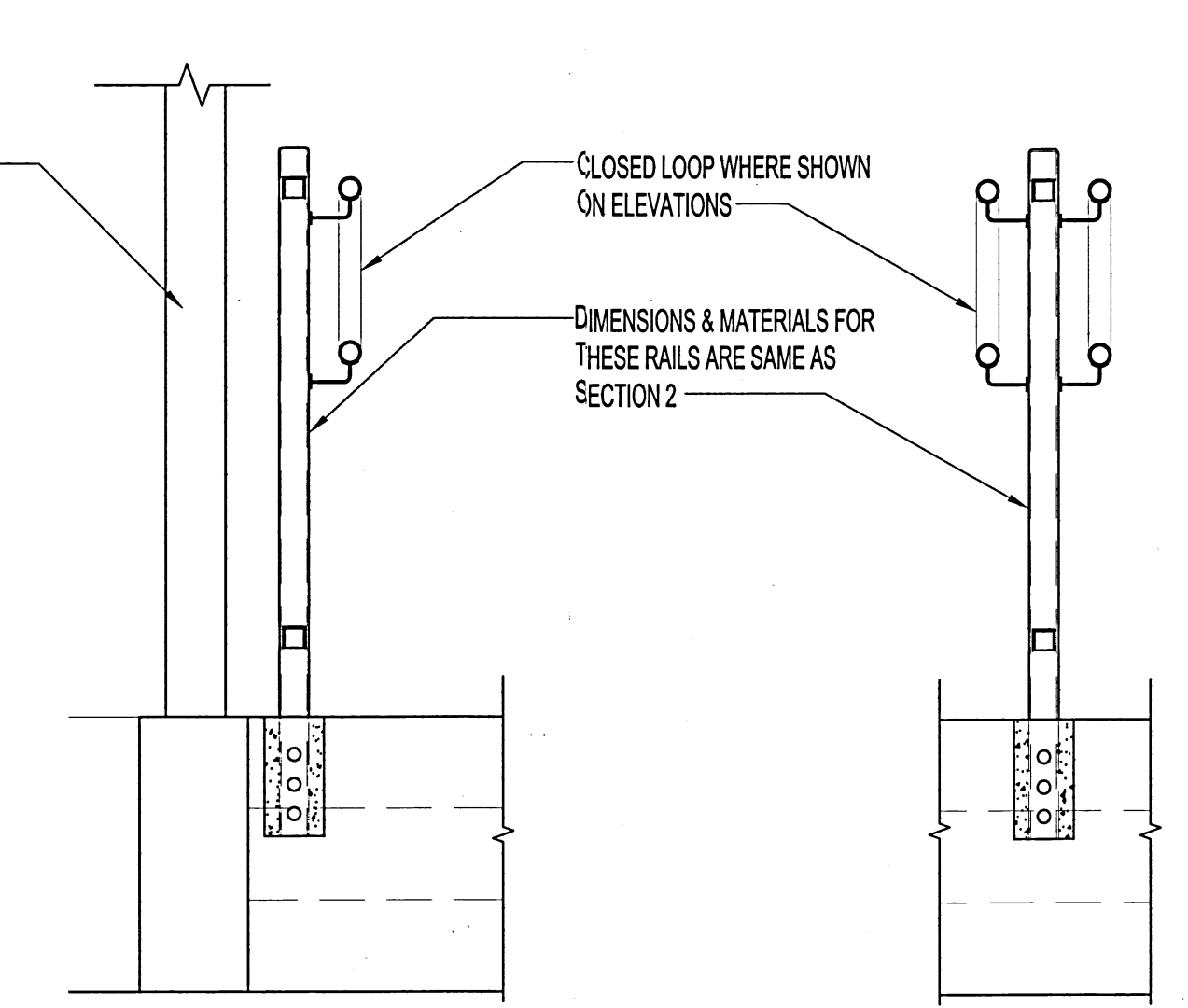
**B ELEVATION - HANDRAIL @ WALL & CENTER HANDRAIL**  
SCALE: 1/2"=1'-0"



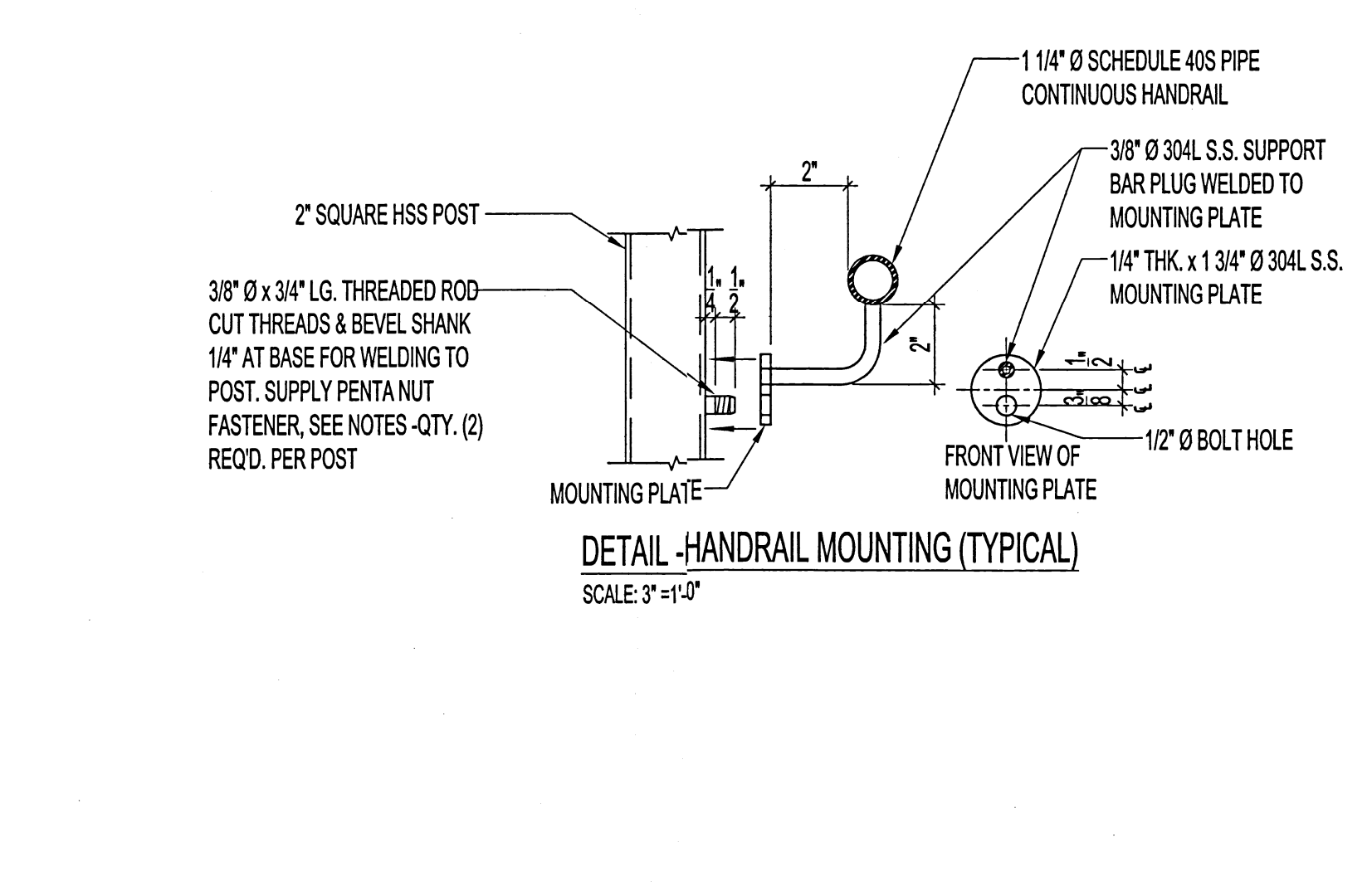
**C ELEVATION - GUARD RAIL & HANDRAIL**  
SCALE: 1/2"=1'-0"



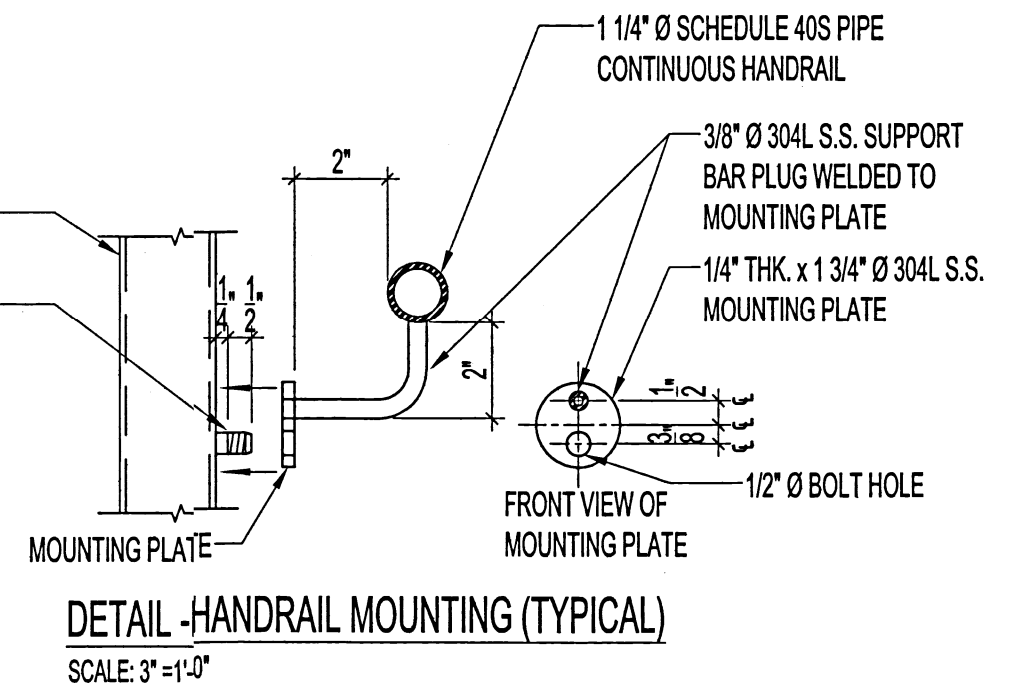
**2 SECTION - HANDRAIL (TYPICAL)**  
SCALE: 1"=1'-0"



**3 SECTION - HANDRAIL @ STAIRS**  
SCALE: 1"=1'-0"

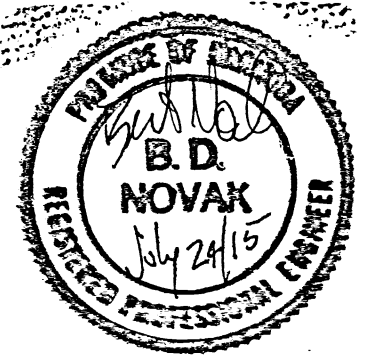


**4 SECTION - CENTER HANDRAIL @ STAIRS**  
SCALE: 1"=1'-0"



**DETAIL - HANDRAIL MOUNTING (TYPICAL)**  
SCALE: 3"=1'-0"

No.	REVISION/DESCRIPTION	BY	DATE



DRAWN	CHECKED	DESIGNED	APPROVED
MMK	MMK		
DATE: 2015.03.03	USER APPROVAL		

THE CITY OF WINNIPEG  
PLANNING, PROPERTY AND  
DEVELOPMENT DEPARTMENT  
MUNICIPAL ACCOMMODATIONS DIVISION  
3-65 GARRY STREET, R3C 4K4

**PROJECT**  
FORT GARRY LIBRARY  
EXTERIOR REFURBISHING

1360 PEMBINA HIGHWAY  
**SHEET TITLE**

PARTIAL SITE PLAN  
RAMP GUARD & HANDRAIL PLAN  
ELEVATIONS, SECTIONS & DETAILS

SCALE	PROJECT No:	SHEET No:
AS SHOWN	2015-054	S4