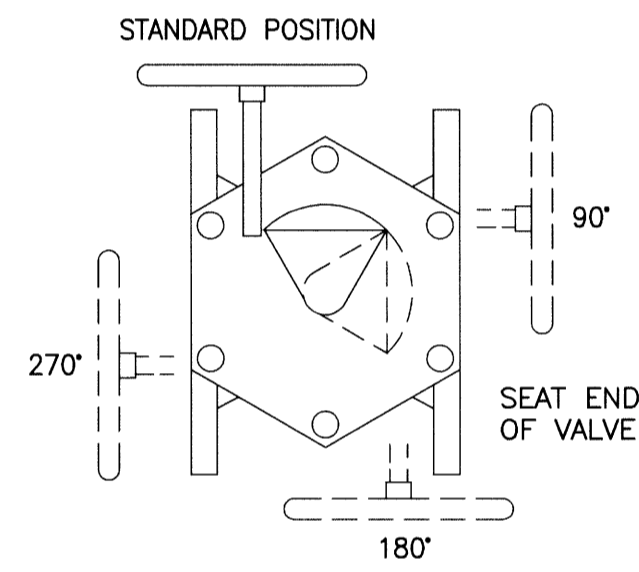


PIPE SPOOL LIST

TAG	QTY	SIZE	DESCRIPTION	REFERENCE DETAIL DWG.
1.1	1	300 (12")	CARBON STEEL, FIELD FIT	M09
1.2	1	300 (12")	CARBON STEEL, FIELD FIT	M10
1.3	1	300 (12")	CARBON STEEL, FIELD FIT	M11
1.4	1	200 (8")	CARBON STEEL, FIELD FIT	M12
1.5	1	300 (12")	CARBON STEEL, FIELD FIT	M13
1.6	1	300 (12")	CARBON STEEL, FIELD FIT	M13
1.7	10	300 (12")	DUCTILE IRON FLANGED PIPE, L=5486mm (18'-0")	
1.8	1	300 (12")	DUCTILE IRON FLANGED PIPE, L=4928mm (16'-2")	
1.9	1	300 (12")	DUCTILE IRON FLANGED PIPE, L=5105mm (16'-9")	
1.10	1	300 (12")	DUCTILE IRON FLANGED PIPE, L=4724mm (15'-6")	
1.11	1	300 (12")	DUCTILE IRON FLANGED PIPE, L=3708mm (12'-2")	
1.12	1	200 (8")	DUCTILE IRON FLANGED PIPE, L=1524mm (5'-0")	
1.13	1	200 (8")	DUCTILE IRON FLANGED PIPE, L=610mm (2'-0")	
1.14	1	300 (12")	DUCTILE IRON FLANGED PIPE, L=4928mm (16'-2")	
1.15	1	300 (12")	DUCTILE IRON FLANGED 1/8 BEND (45 DEG.)	
1.16	1	300x200 (12"x8")	DUCTILE IRON FLANGED RED. TEE	
1.17	2	300 (12")	DUCTILE IRON FLANGED 1/4 BEND (90 DEG.) LONG RADIUS	
1.18	2	300x200 (12"x8")	DUCTILE IRON FLANGED ECC REDUCER	
1.19	1	300 (12")	DUCTILE IRON PIPE, FLANGEXPLAIN END, L=1676mm (5'-6")	
2.1	1	300 (12")	CARBON STEEL, FIELD FIT	M9
2.2	1	300 (12")	CARBON STEEL, FIELD FIT	M10
2.3	1	300 (12")	CARBON STEEL, FIELD FIT	M11
2.4	1	200 (8")	CARBON STEEL, FIELD FIT	M12
2.5	1	300 (12")	CARBON STEEL, FIELD FIT	M13
2.6	1	300 (12")	CARBON STEEL, FIELD FIT	M13
2.7	11	300 (12")	DUCTILE IRON FLANGED PIPE, L=5486mm (18'-0")	
2.8	1	300 (12")	DUCTILE IRON FLANGED PIPE, L=3099mm (10'-2")	
2.9	1	300 (12")	DUCTILE IRON FLANGED PIPE, L=4623mm (15'-2")	
2.10	1	300 (12")	DUCTILE IRON FLANGED PIPE, L=4597mm (15'-1")	
2.11	1	300 (12")	DUCTILE IRON FLANGED PIPE, L=3251mm (10'-8")	
2.12	1	200 (8")	DUCTILE IRON FLANGED PIPE, L=1524mm (5'-0")	
2.13	1	200 (8")	DUCTILE IRON FLANGED PIPE, L=610mm (2'-0")	
2.14	1	300 (12")	DUCTILE IRON FLANGED PIPE, L=4851mm (15'-11")	
2.15	1	300 (12")	DUCTILE IRON FLANGED 1/8 BEND (45 DEG.)	
2.16	1	300x200 (12"x8")	DUCTILE IRON FLANGED RED. TEE	
2.17	2	300 (12")	DUCTILE IRON FLANGED 1/4 BEND (90 DEG.) LONG RADIUS	
2.18	2	300x200 (12"x8")	DUCTILE IRON FLANGED ECC REDUCER	
2.19	1	300 (12")	DUCTILE IRON PIPE, FLANGEXPLAIN END, L=1422mm (4'-8")	

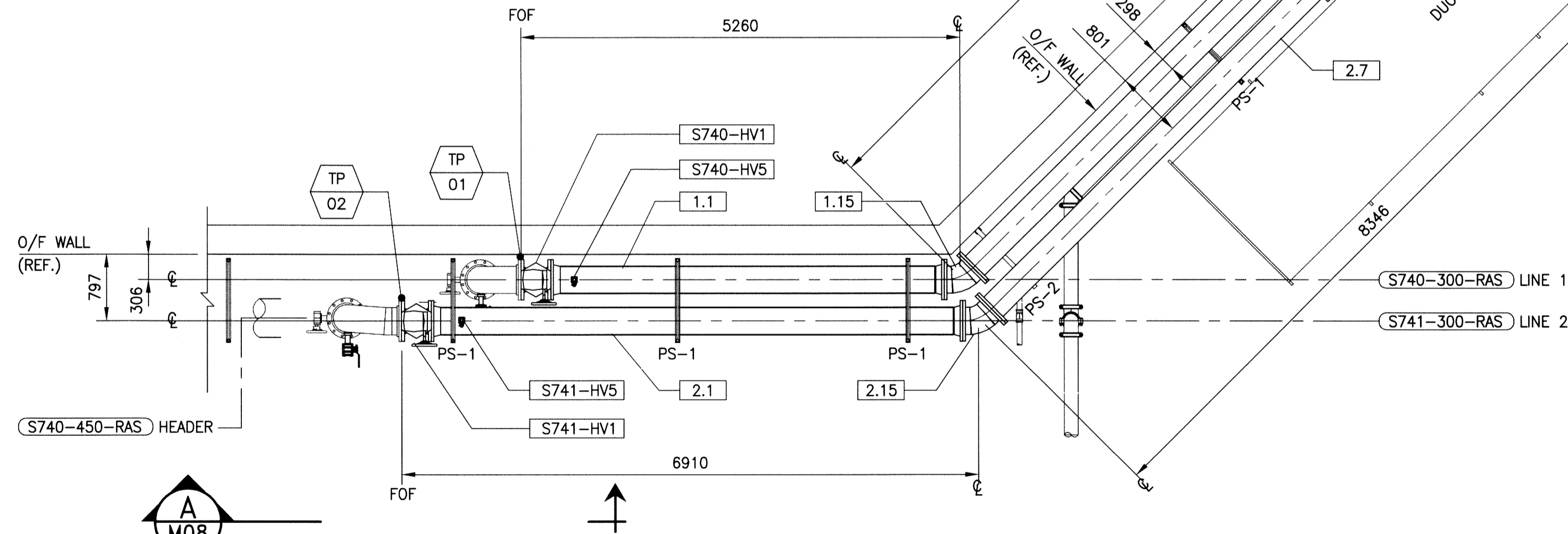
VALVE LIST

TAG	SIZE	TYPE	ACTUATOR POSITION	REMARKS	SUPPLIED BY
S740-FCV	300	BUTTERFLY VALVE W/ PNEUMATIC ACTUATOR, MODULATING		RE-USE EXISTING ACTUATOR	OWNER
S740-HV1	300	ECCENTRIC PLUG W/ HANDWHEEL	STD		OWNER
S740-HV2	300	ECCENTRIC PLUG W/ HANDWHEEL	270°		OWNER
S740-HV3	300	ECCENTRIC PLUG W/ HANDWHEEL	STD		OWNER
S740-HV4	200	ECCENTRIC PLUG W/ CHAINWHEEL	STD		OWNER
S740-HV5	25	BALL VALVE W/ LEVER		VENT VALVE	CONTRACTOR
S740-HV6	50	BALL VALVE W/ LEVER		DRAIN VALVE	CONTRACTOR
S741-FCV	300	BUTTERFLY VALVE W/ PNEUMATIC ACTUATOR, MODULATING		RE-USE EXISTING ACTUATOR	OWNER
S741-HV1	300	ECCENTRIC PLUG W/ HANDWHEEL	STD		OWNER
S741-HV2	300	ECCENTRIC PLUG W/ HANDWHEEL	270°		OWNER
S741-HV3	300	ECCENTRIC PLUG W/ HANDWHEEL	STD		OWNER
S741-HV4	200	ECCENTRIC PLUG W/ CHAINWHEEL	180°		OWNER
S741-HV5	25	BALL VALVE W/ LEVER		VENT VALVE	CONTRACTOR
S741-HV6	50	BALL VALVE W/ LEVER		DRAIN VALVE	CONTRACTOR



PLUG VALVE ACTUATOR  
DETAIL - MOUNTING POSITIONS

SCALE: N.T.S.



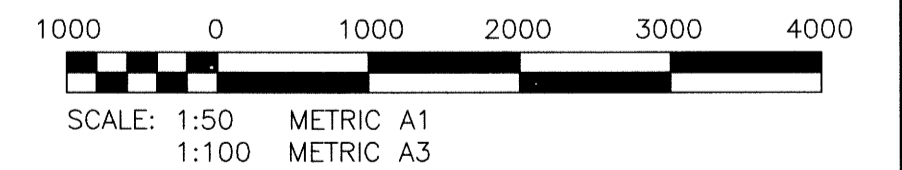
A PART PLAN  
M02 SCALE: 1:50

GENERAL NOTES:

1. REFER TO GENERAL NOTES ON DWG. M02.

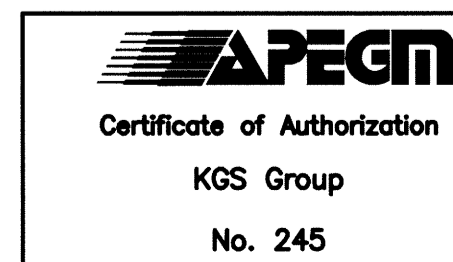
PIPE SUPPORTS

- PS-1 EXISTING TRAPEZE HANGER
- PS-2 EXISTING KNEE-BRACE
- PS-3 EXISTING FRAME
- PS-4 EXISTING KNEE-BRACE
- PS-5 NEW CLEVIS HANGER, ANVIL FIG. 590, RE-USE EXISTING HANGER ROD.
- PS-6 NEW CLEVIS HANGER ASSEMBLY, ANVIL FIG. 590 WITH NEW ROD AND BEAM ATTACHMENT.
- PS-7 NEW BASE SUPPORT



METRIC

WHOLE NUMBERS INDICATE MILLIMETRES  
DECIMALIZED NUMBERS INDICATE METRES



NO.	REVISIONS	DATE	BY
0	ISSUED FOR CONSTRUCTION	15/09/17	JS

DESIGNED BY JS		CHECKED BY <i>[Signature]</i>	
DRAWN BY RP		APPROVED BY <i>[Signature]</i>	
HOR. SCALE AS NOTED		RELEASED FOR CONSTRUCTION	
VERTICAL SCALE AS NOTED		DATE 2015 08 17	

ENGINEER'S SEAL  
  
 M03

**THE CITY OF WINNIPEG**  
 WATER AND WASTE DEPARTMENT  
 WEWPC RAS PIPE REPLACEMENT  
**MECHANICAL**  
 RAS PIPING - PART PLAN  
 SHEET 1 OF 3  
 CITY DRAWING NUMBER  
 1-0103S-M0032-001