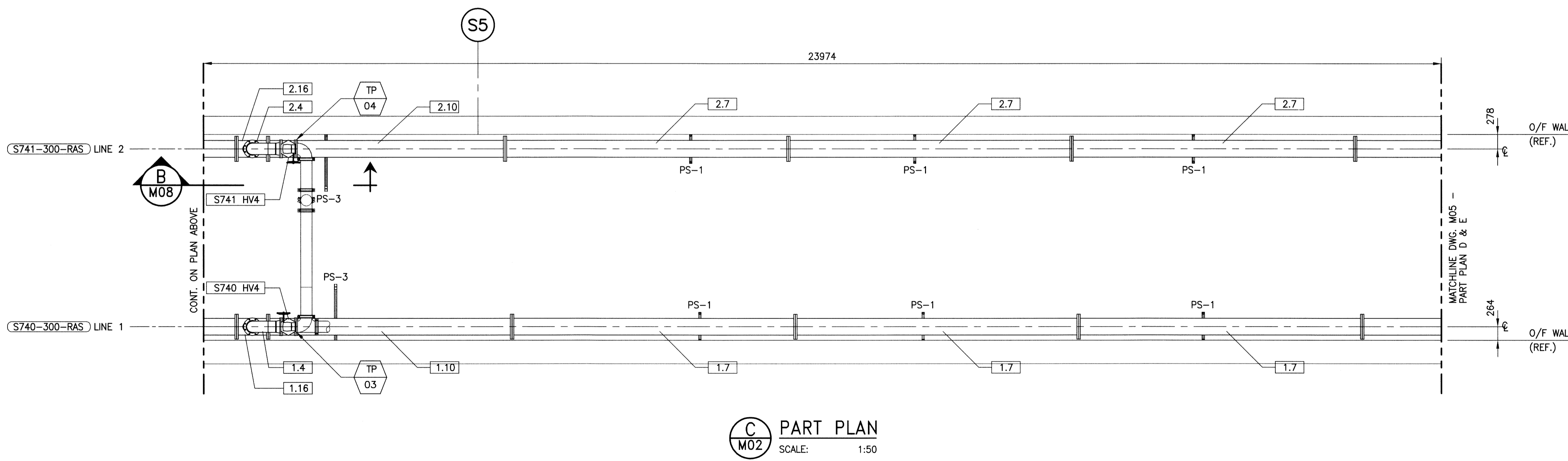


**B** PART PLAN  
M02 SCALE: 1:50



**C** PART PLAN  
M02 SCALE: 1:50

**GENERAL NOTES:**

1. REFER TO GENERAL NOTES ON DWG. M02.

**PIPE SUPPORTS**

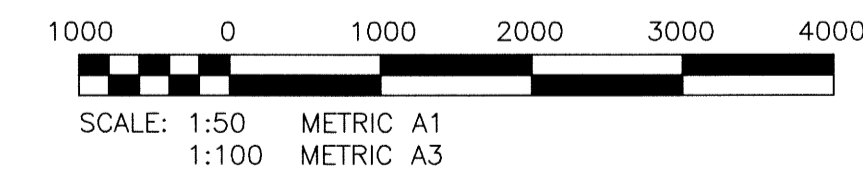
REFER TO DWG. M03 FOR PIPE SUPPORT DESCRIPTIONS.

**PIPE SPOOL LIST**

REFER TO DWG. M03.

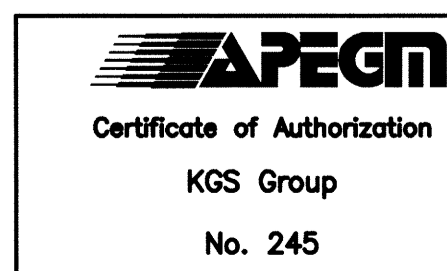
**VALVE LIST**

REFER TO DWG. M03.



**METRIC**

WHOLE NUMBERS INDICATE MILLIMETRES  
DECIMALIZED NUMBERS INDICATE METRES



POSTED TO LBIS		FIELD BOOK #:				ENGINEER'S SEAL	
DESIGNED BY	JS	CHECKED BY	<i>Red</i>	DRIVEN BY	RP	APPROVED BY	<i>JS</i>
HDR. SCALE	AS NOTED	RELEASED FOR CONSTRUCTION		DATE	2015 08 17	DATE	2015/09/17
VERTICAL	AS NOTED						
0	ISSUED FOR CONSTRUCTION	15/09/17	<i>JS</i>				
NO.	REVISIONS	DATE	BY				

		SHEET 2 OF 3	
		CITY DRAWING NUMBER	
WEWPCC RAS PIPE REPLACEMENT		1-0103S-M0032-002	
<b>MECHANICAL</b> RAS PIPING - PART PLAN			