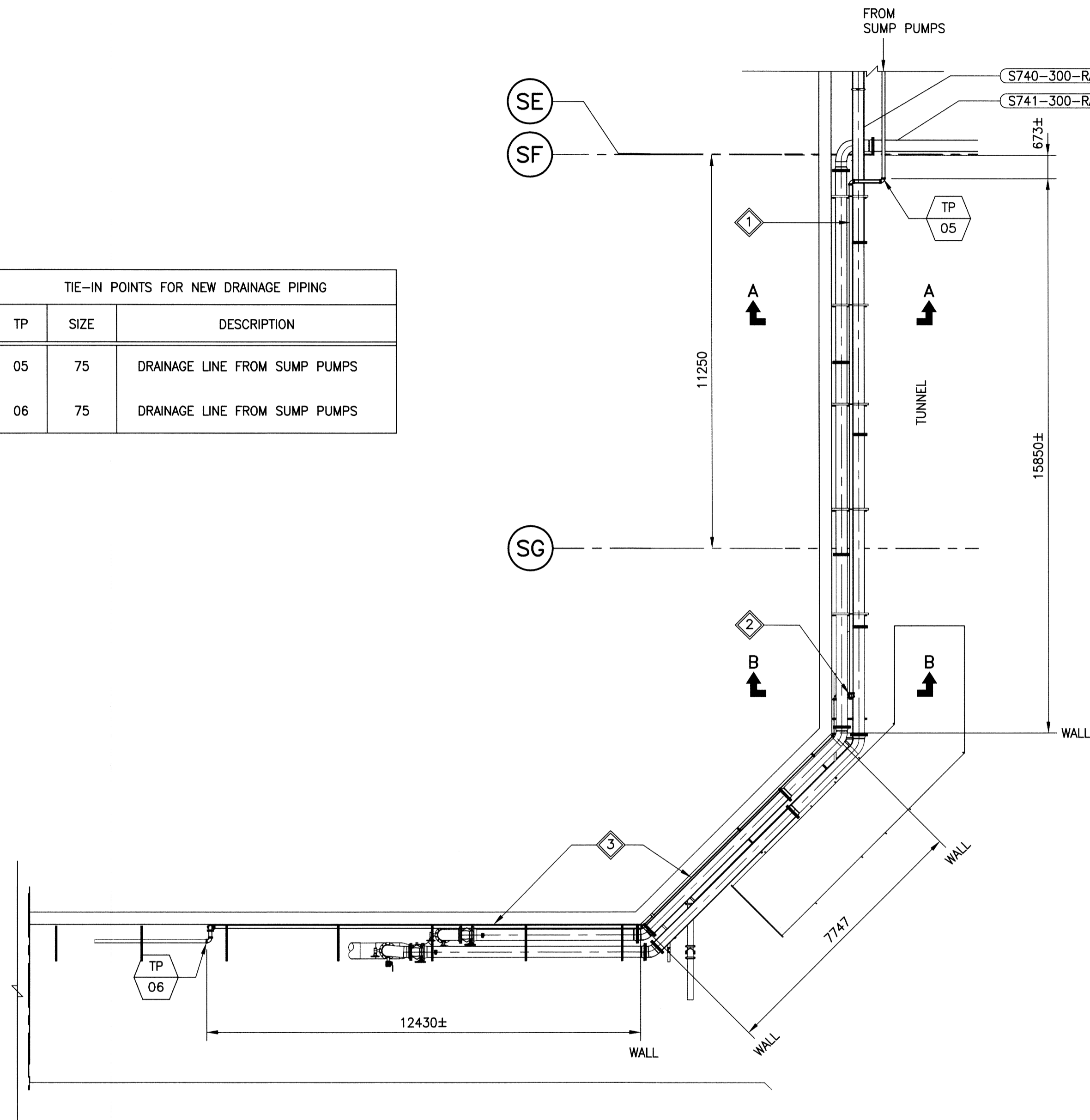
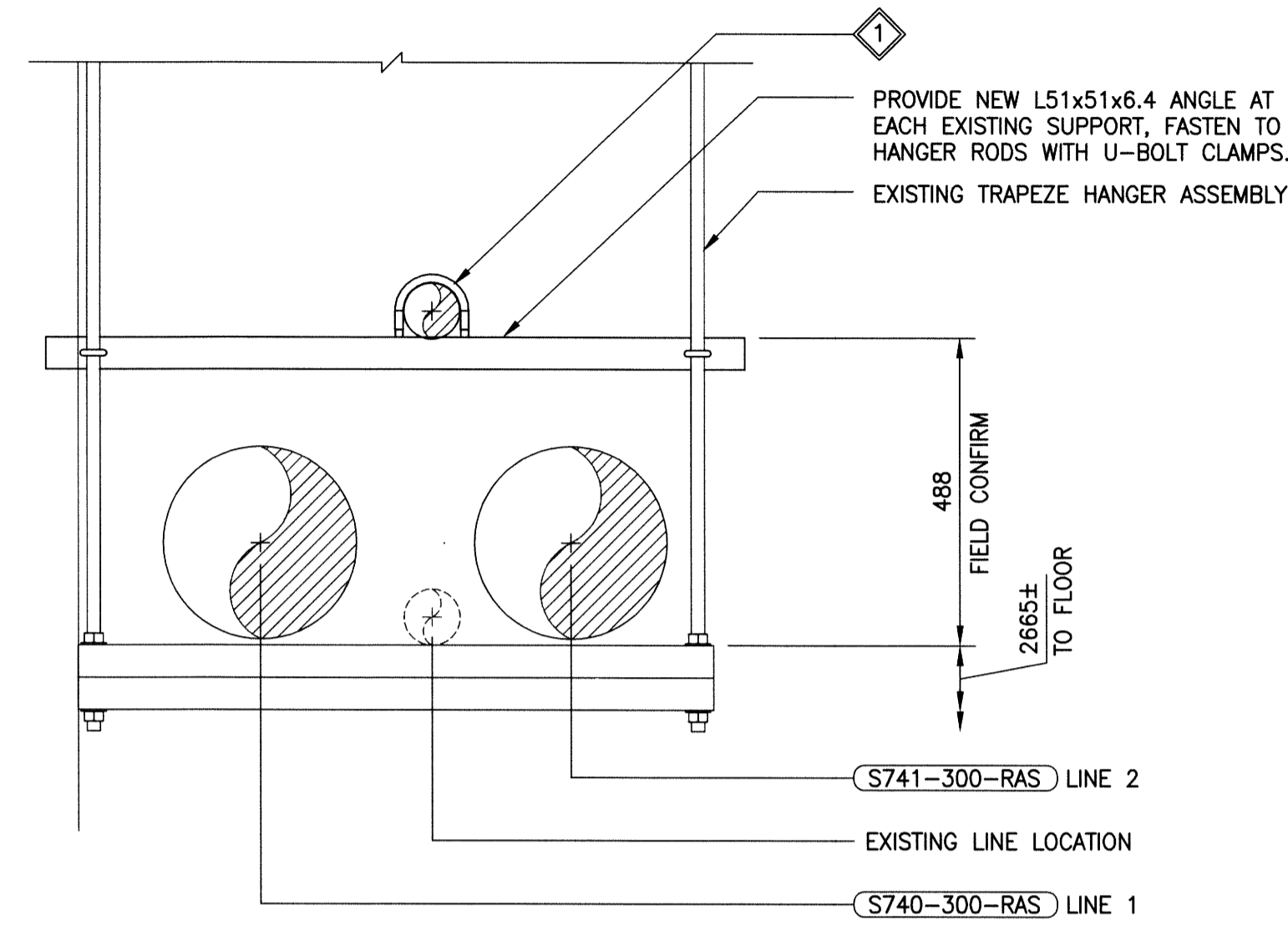


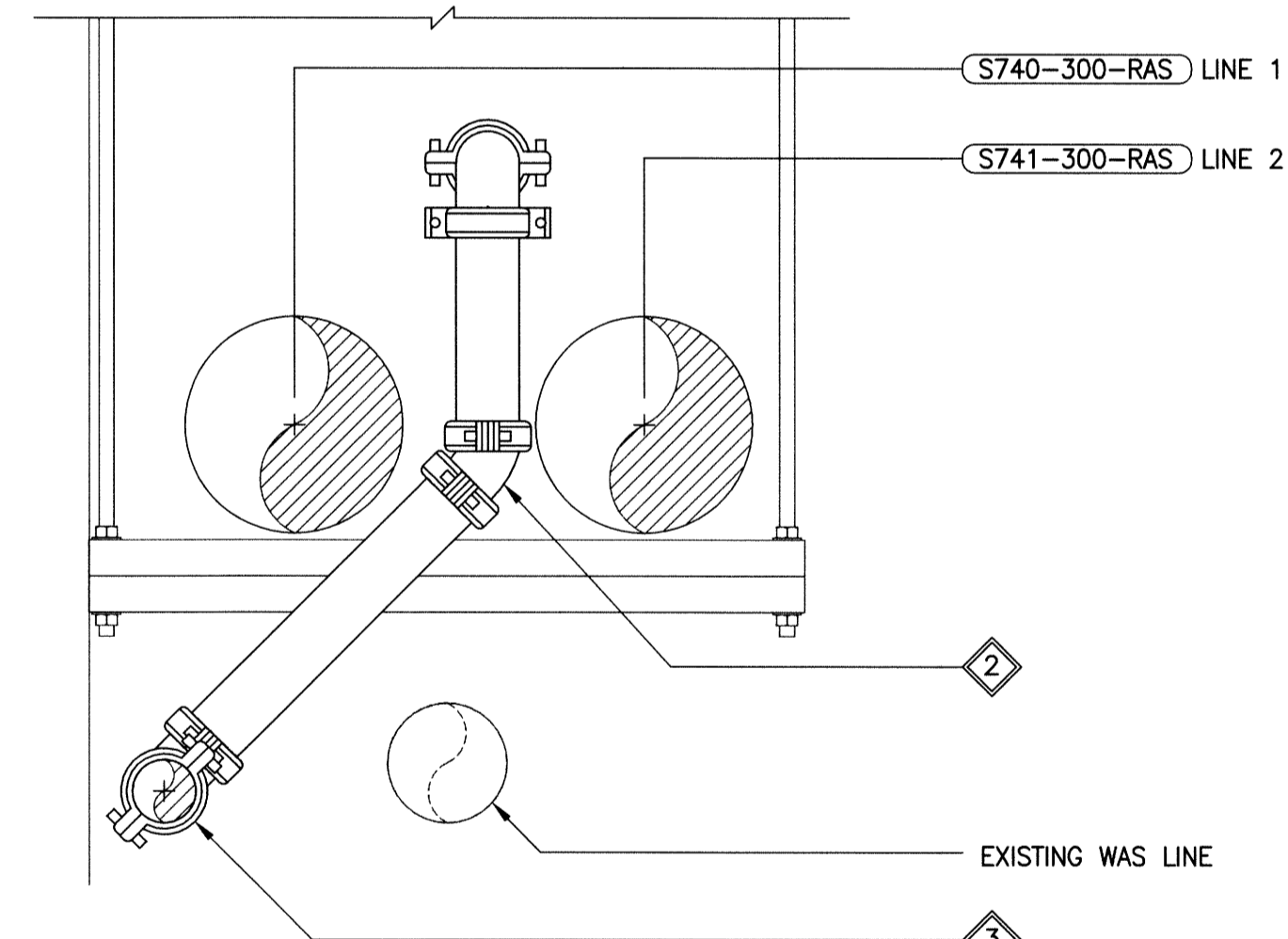
TIE-IN POINTS FOR NEW DRAINAGE PIPING		
TP	SIZE	DESCRIPTION
05	75	DRAINAGE LINE FROM SUMP PUMPS
06	75	DRAINAGE LINE FROM SUMP PUMPS



PART PLAN
SCALE: 1:100



SECTION A-A
SCALE: 1:10



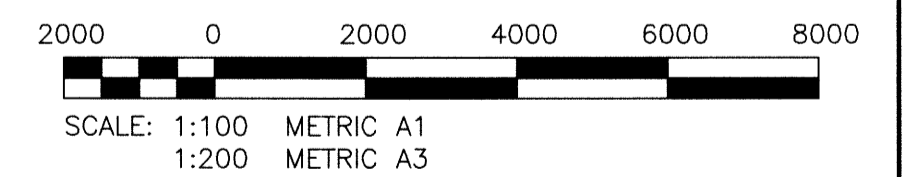
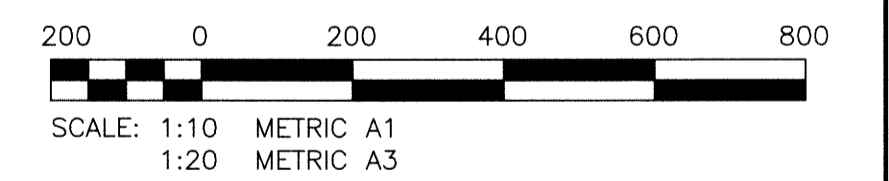
SECTION B-B
SCALE: 1:10

GENERAL NOTES:

1. REFER TO GENERAL NOTES ON DWG. M02.

KEYNOTES:

- 1 CONNECT TO TP-05 AND RUN RELOCATED 75mm DRAIN LINE ABOVE RAS PIPES. PROVIDE SUPPORT AT EACH EXISTING TRAPEZE HANGER AS SHOWN.
- 2 ROUTE DRAIN LINE DOWN BETWEEN RAS PIPES AS SHOWN.
- 3 FIELD RUN 75mm DRAINAGE LINE ALONG WALL TO TP-06. PROVIDE NEW SUPPORTS FROM WALL NEAR PIPE DIRECTION CHANGES. DO NOT EXCEED 4m SUPPORT SPACING. PROVIDE 25mm BALL VALVE FOR DRAIN IN PIPING LOW POINT.



METRIC

WHOLE NUMBERS INDICATE MILLIMETRES
DECIMALIZED NUMBERS INDICATE METRES



FIELD BOOK #		KGS GROUP CONSULTING ENGINEERS		ENGINEER'S SEAL	
POSTED TO LBIS		DESIGNED BY JS	CHECKED BY <i>RP</i>		M07
		DRAWN BY RP	APPROVED BY <i>JS</i>		
		HR. SCALE AS NOTED	RELEASED FOR CONSTRUCTION		
0 ISSUED FOR CONSTRUCTION	15/09/17	VERTICAL AS NOTED	DATE 2015 08 17		
NO. REVISIONS	DATE BY	DATE	DATE 2015 10 17		



WEWPC RAS PIPE REPLACEMENT

SHEET 1 OF 1

MECHANICAL
DRAINAGE PIPE RELOCATION

CITY DRAWING NUMBER

1-0103S-M0034-001