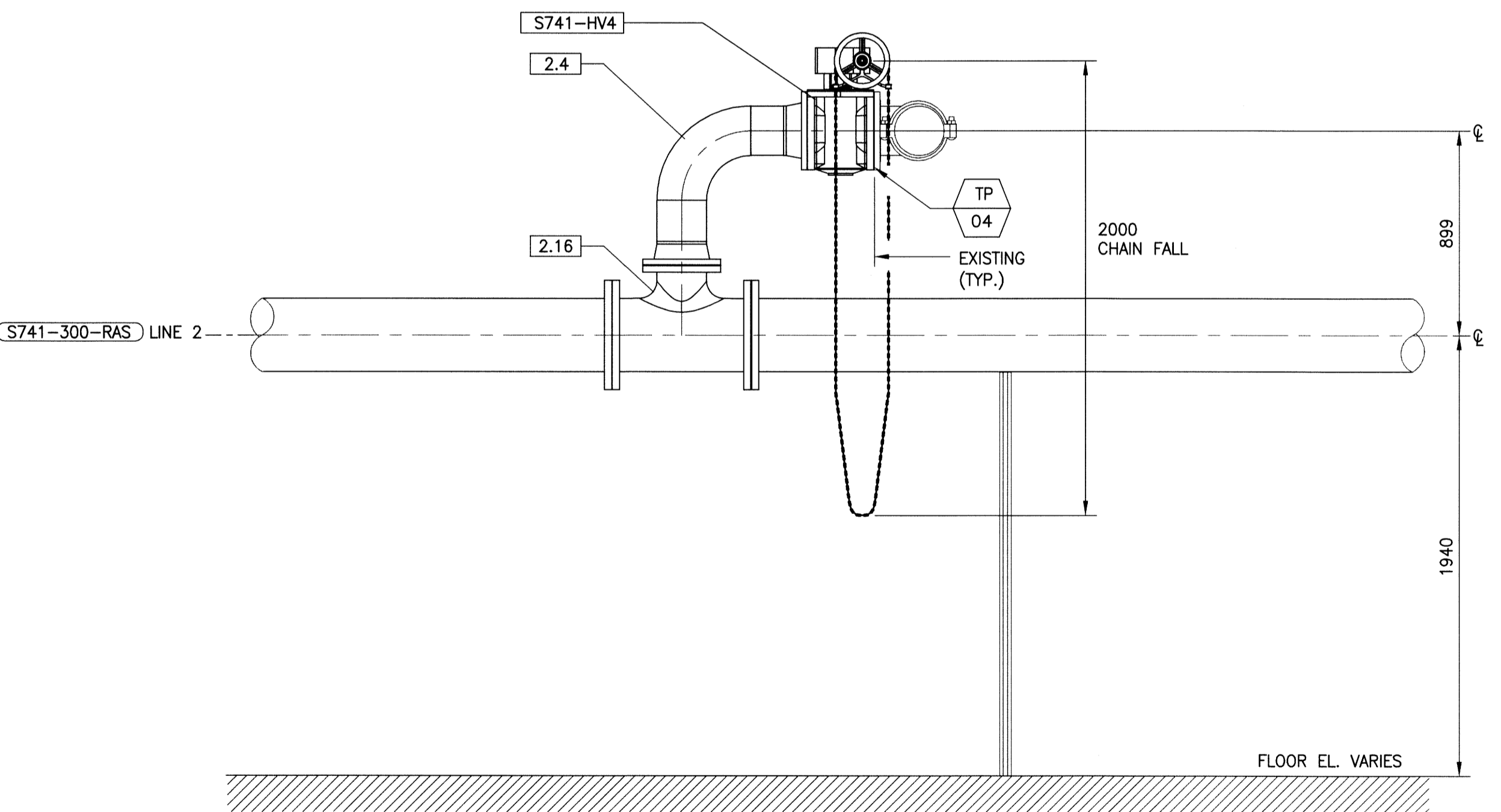
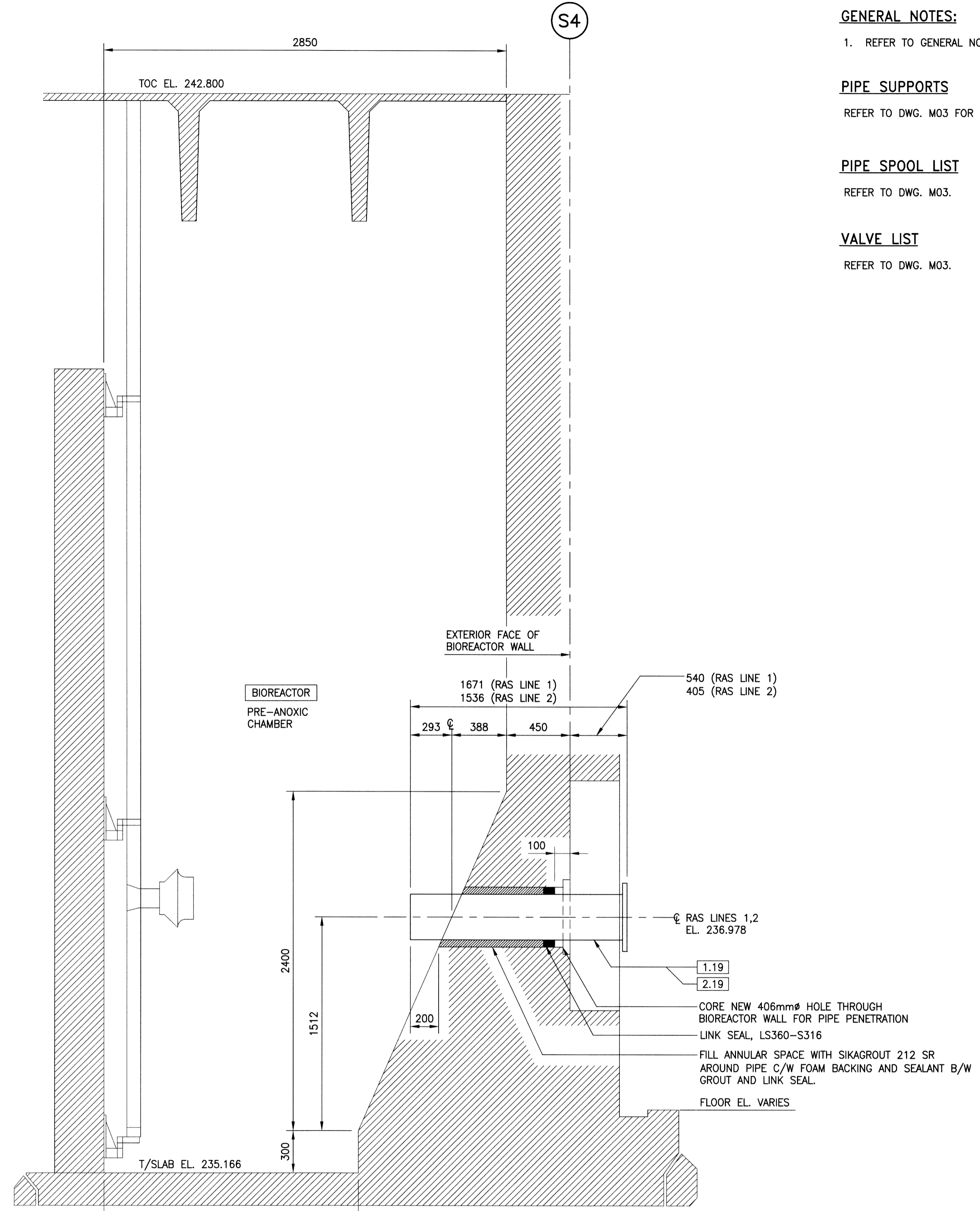


A SECTION
M03 SCALE: 1:20

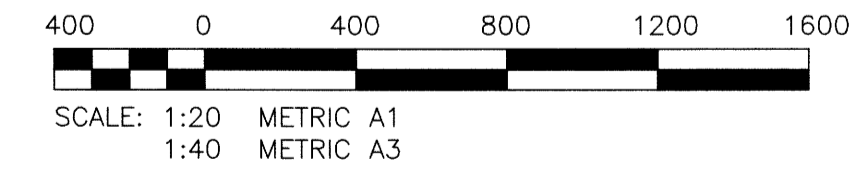


B SECTION
M04 SCALE: 1:20
NOTE: TYPICAL ARRANGEMENT FOR BOTH RAS LINES

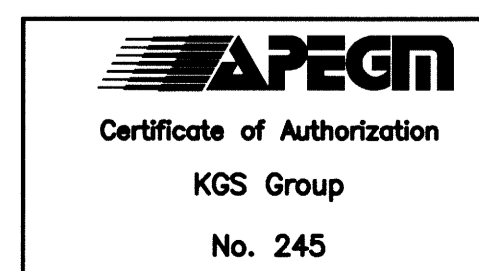


NEW RAS PIPE
DETAIL- PENETRATIONS INTO BIOREACTOR
SCALE: 1:20

- GENERAL NOTES:**
1. REFER TO GENERAL NOTES ON DWG. M02.
- PIPE SUPPORTS**
REFER TO DWG. M03 FOR PIPE SUPPORT DESCRIPTIONS.
- PIPE SPOOL LIST**
REFER TO DWG. M03.
- VALVE LIST**
REFER TO DWG. M03.



METRIC
WHOLE NUMBERS INDICATE MILLIMETRES
DECIMALIZED NUMBERS INDICATE METRES



FIELD BOOK #				ENGINEER'S SEAL	
POSTED TO LBIS					
DESIGNED BY	JS	CHECKED BY	<i>RP</i>	M08	
DRAWN BY	RP	APPROVED BY	<i>JS</i>		
HR. SCALE	AS NOTED	RELEASED FOR CONSTRUCTION			
VERTICAL	AS NOTED	DATE	2015 08 17		
ISSUED FOR CONSTRUCTION	15/09/17	DATE	2015 09 17		
NO. REVISIONS		DATE			

THE CITY OF WINNIPEG
WATER AND WASTE DEPARTMENT

WEWPC RAS PIPE REPLACEMENT

MECHANICAL
RAS PIPING - SECTIONS AND DETAILS

SHEET 1 OF 1
CITY DRAWING NUMBER
1-0103S-M0035-001