

GENERAL NOTES:

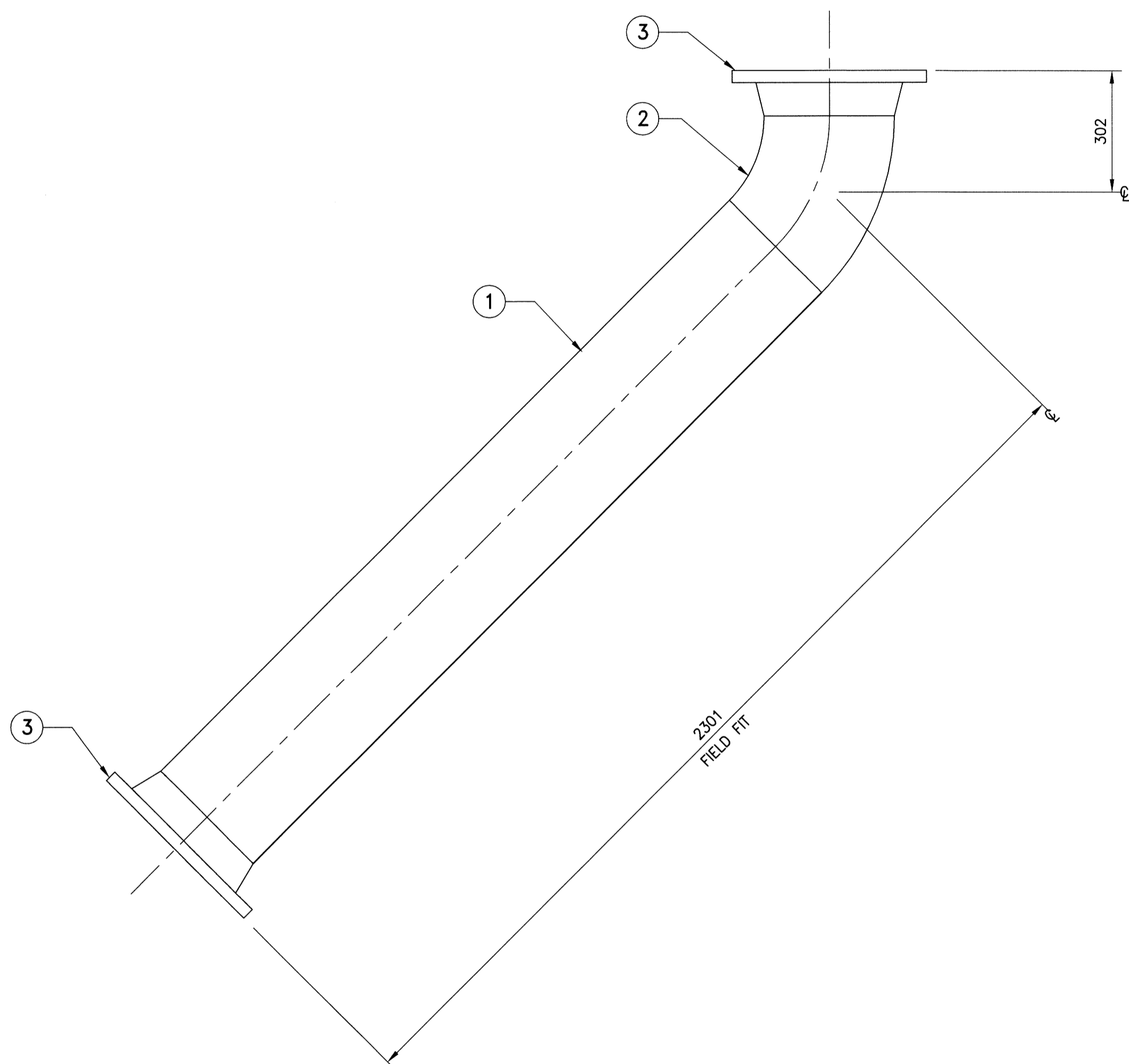
1. REFER TO GENERAL NOTES ON DWG. M02.

BILL OF MATERIALS - 1.2

| PART NO. | QTY | SIZE | TAG | DESCRIPTION |
|----------|-----|-----------|-----|----------------------|
| ① | 2 | 300 (12") | | PIPE |
| ② | 1 | 300 (12") | | 45° ELBOW |
| ③ | 2 | 300 (12") | | WELD NECK FLANGE, FF |

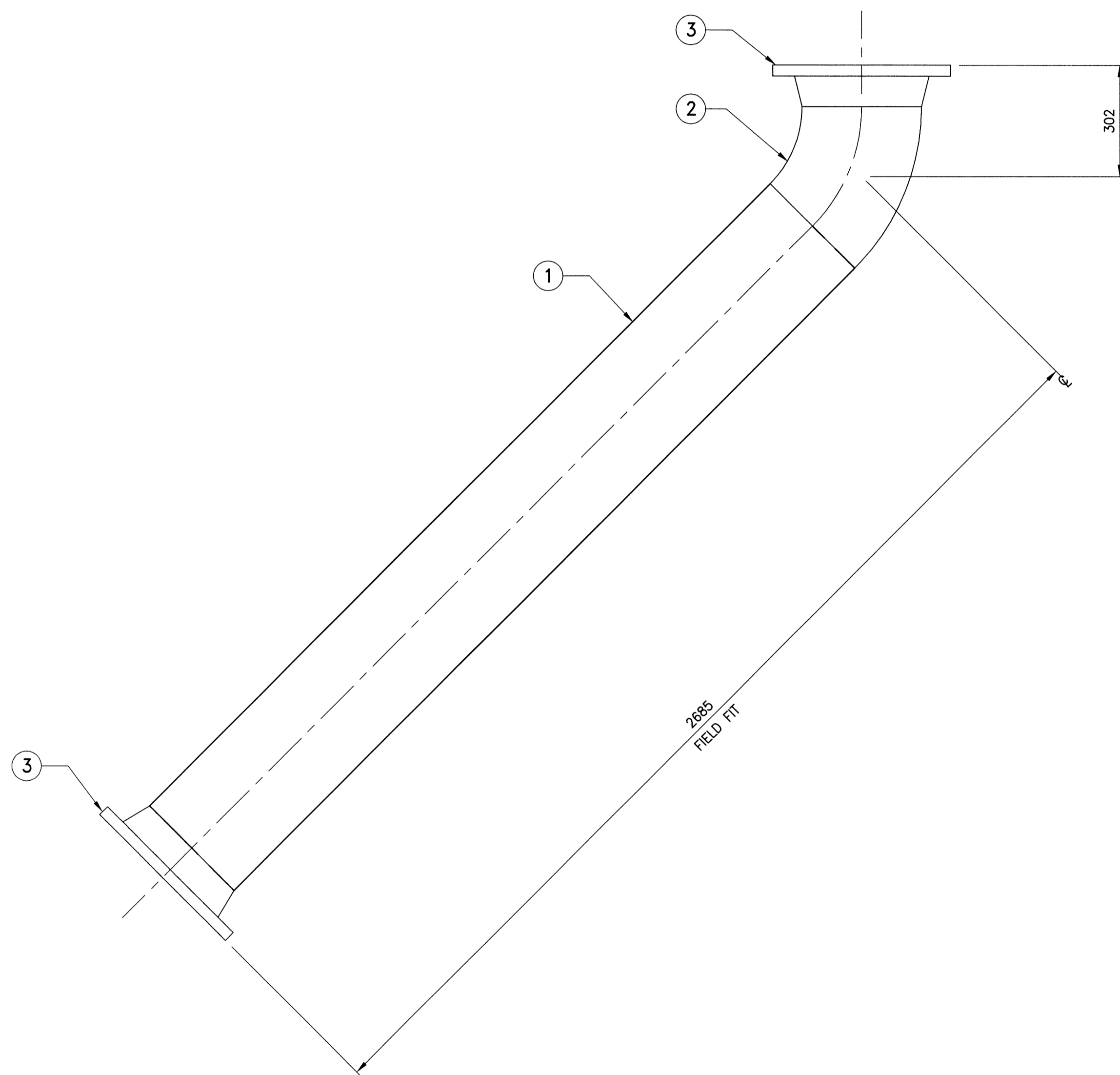
BILL OF MATERIALS - 2.2

| PART NO. | QTY | SIZE | TAG | DESCRIPTION |
|----------|-----|-----------|-----|----------------------|
| ① | 2 | 300 (12") | | PIPE |
| ② | 1 | 300 (12") | | 45° ELBOW |
| ③ | 2 | 300 (12") | | WELD NECK FLANGE, FF |



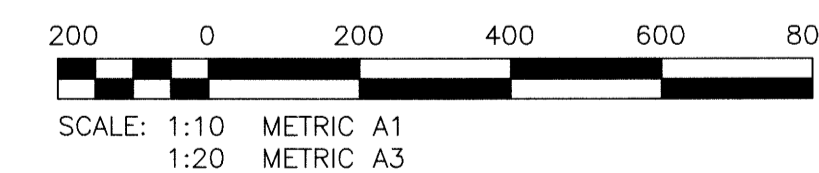
PLAN

PIPE SPOOL 1.2
SCALE: 1:10



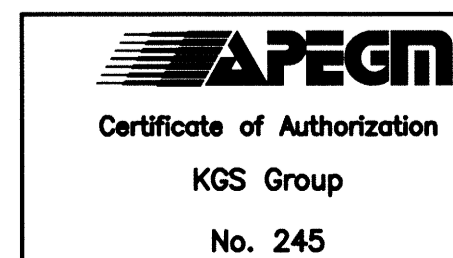
PLAN

PIPE SPOOL 2.2
SCALE: 1:10



METRIC

WHOLE NUMBERS INDICATE MILLIMETRES
DECIMALIZED NUMBERS INDICATE METRES



| NO. | REVISIONS | DATE | BY |
|-----|-------------------------|----------|----|
| 0 | ISSUED FOR CONSTRUCTION | 15/09/17 | |

| | | | |
|---------------------|--|---------------------------|--|
| DESIGNED BY JS | | CHECKED BY <i>RPB</i> | |
| DRAWN BY RP | | APPROVED BY <i>K</i> | |
| HDR. SCALE AS NOTED | | RELEASED FOR CONSTRUCTION | |
| VERTICAL AS NOTED | | DATE 2015 08 17 | |

ENGINEER'S SEAL

M10

THE CITY OF WINNIPEG
WATER AND WASTE DEPARTMENT

WEWPC RAS PIPE REPLACEMENT

MECHANICAL
RAS PIPING - PIPE SPOOL DETAILS

SHEET 2 OF 5
CITY DRAWING NUMBER
1-0103S-M0036-002