

GENERAL NOTES:

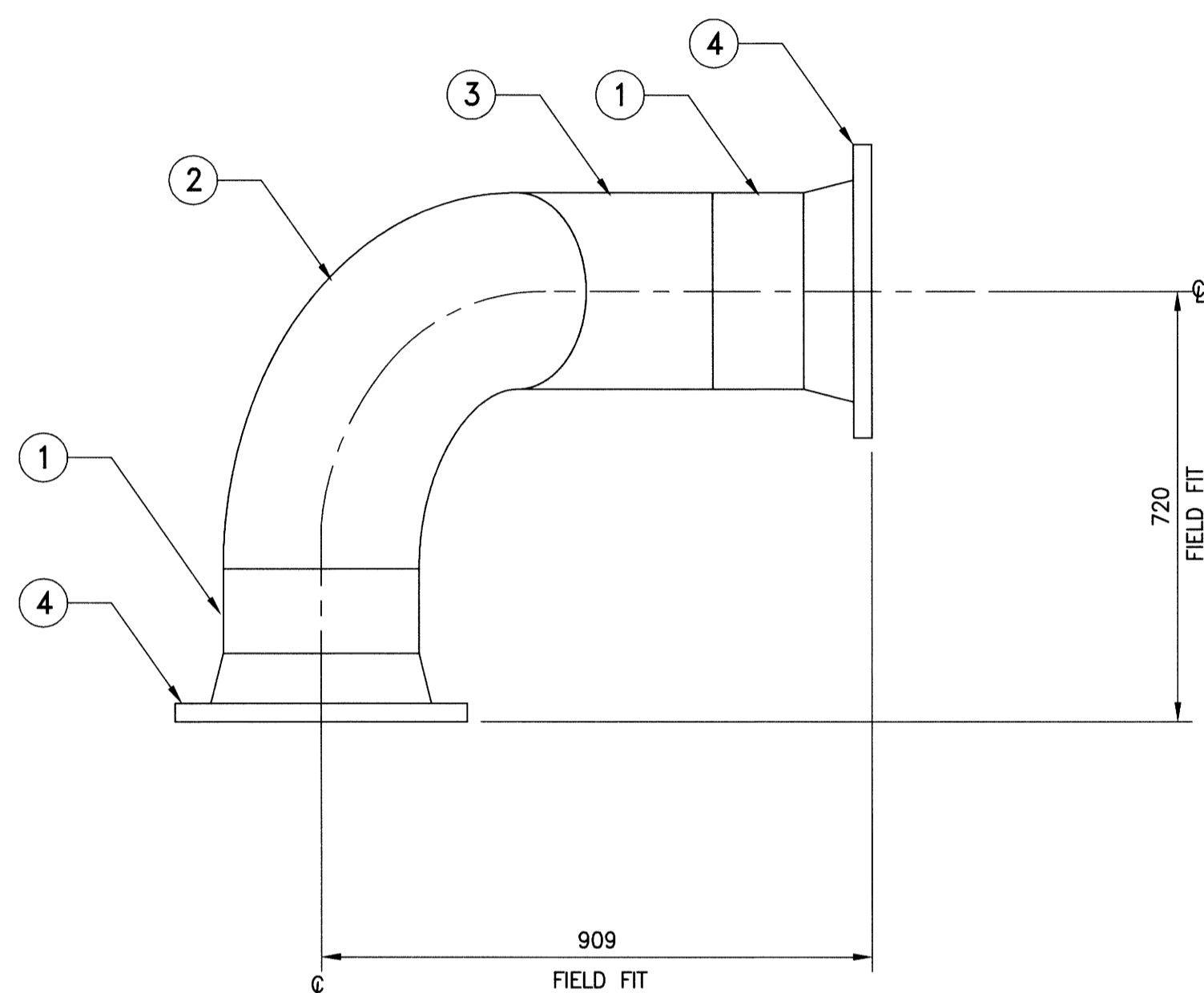
1. REFER TO GENERAL NOTES ON DWG. M02.

BILL OF MATERIALS - 1.3

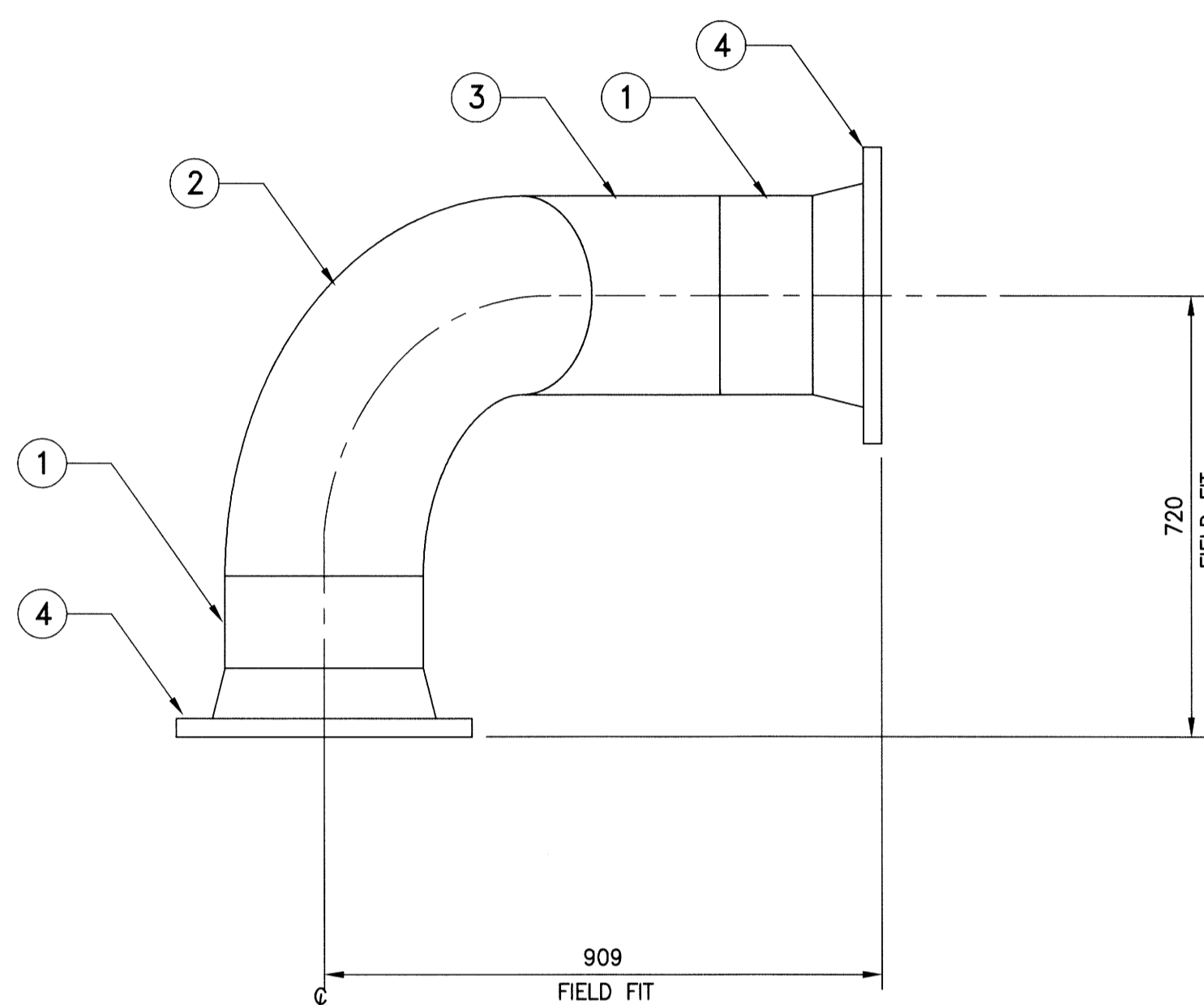
PART NO.	QTY	SIZE	TAG	DESCRIPTION
①	2	300 (12")		PIPE
②	1	300 (12")		90° ELBOW
③	1	300 (12")		45° ELBOW
④	2	300 (12")		WELD NECK FLANGE, FF

BILL OF MATERIALS - 2.3

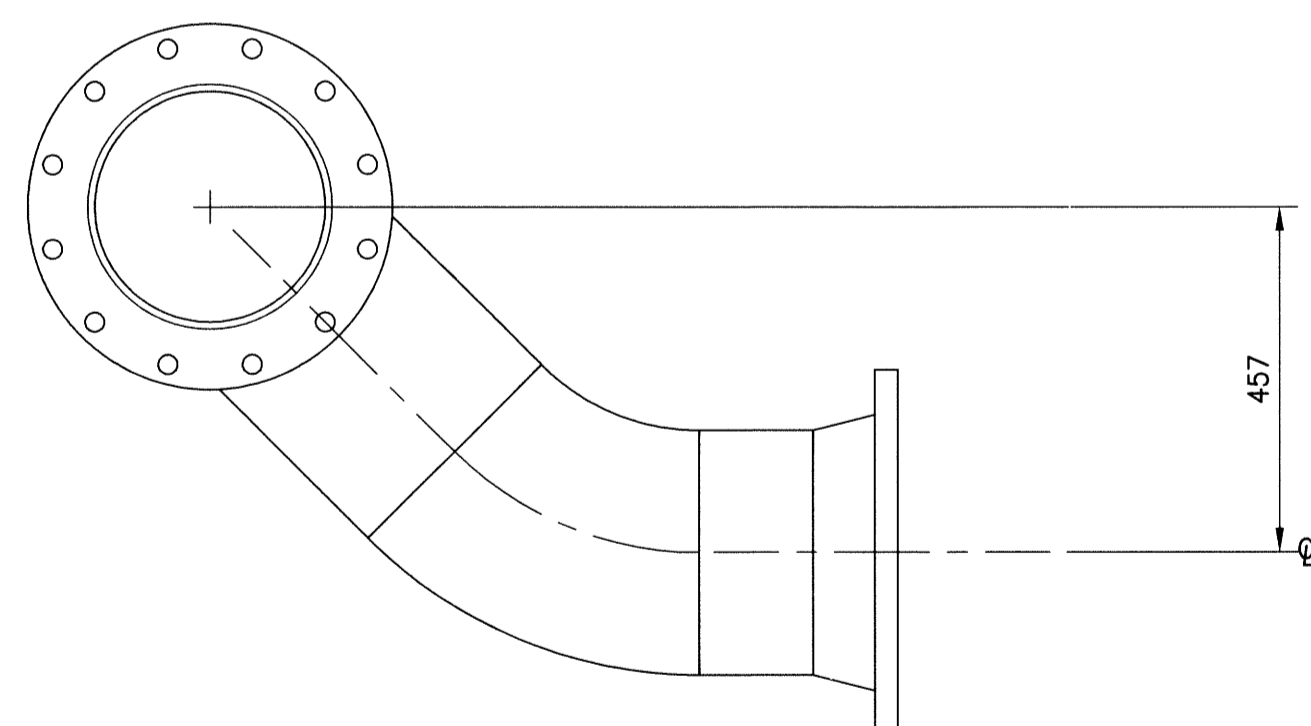
PART NO.	QTY	SIZE	TAG	DESCRIPTION
①	2	300 (12")		PIPE
②	1	300 (12")		90° ELBOW
③	1	300 (12")		45° ELBOW
④	2	300 (12")		WELD NECK FLANGE, FF



PLAN

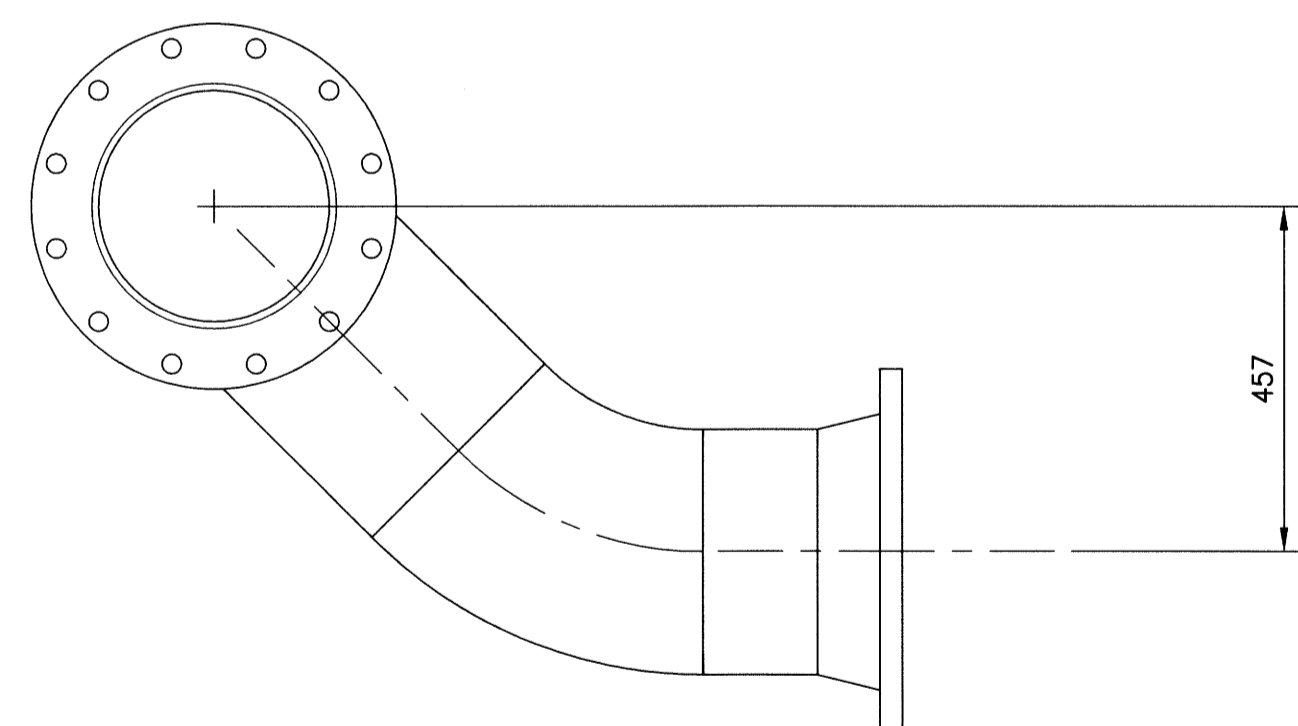


PLAN



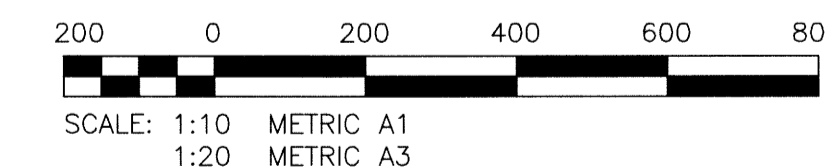
ELEVATION

PIPE SPOOL 1.3
SCALE: 1:10



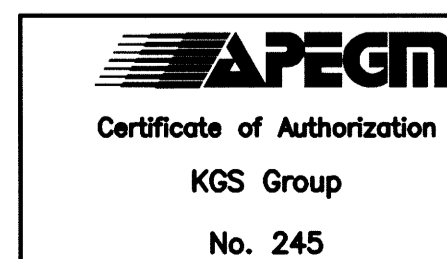
ELEVATION

PIPE SPOOL 2.3
SCALE: 1:10



METRIC

WHOLE NUMBERS INDICATE MILLIMETRES
DECIMALIZED NUMBERS INDICATE METRES



NO.	REVISIONS	DATE	BY
0	ISSUED FOR CONSTRUCTION	15/09/17	JS

DESIGNED BY JS		CHECKED BY <i>RP</i>	
DRAWN BY RP		APPROVED BY <i>JS</i>	
HDR. SCALE AS NOTED		RELEASED FOR CONSTRUCTION	
VERTICAL AS NOTED		DATE 2015 08 28	
DATE 2015 08 28		DATE 2015 09 17	

ENGINEER'S SEAL

M11

THE CITY OF WINNIPEG
WATER AND WASTE DEPARTMENT

WEWPC RAS PIPE REPLACEMENT

MECHANICAL
RAS PIPING - PIPE SPOOL DETAILS

SHEET 3 OF 5
CITY DRAWING NUMBER
1-0103S-M0036-003