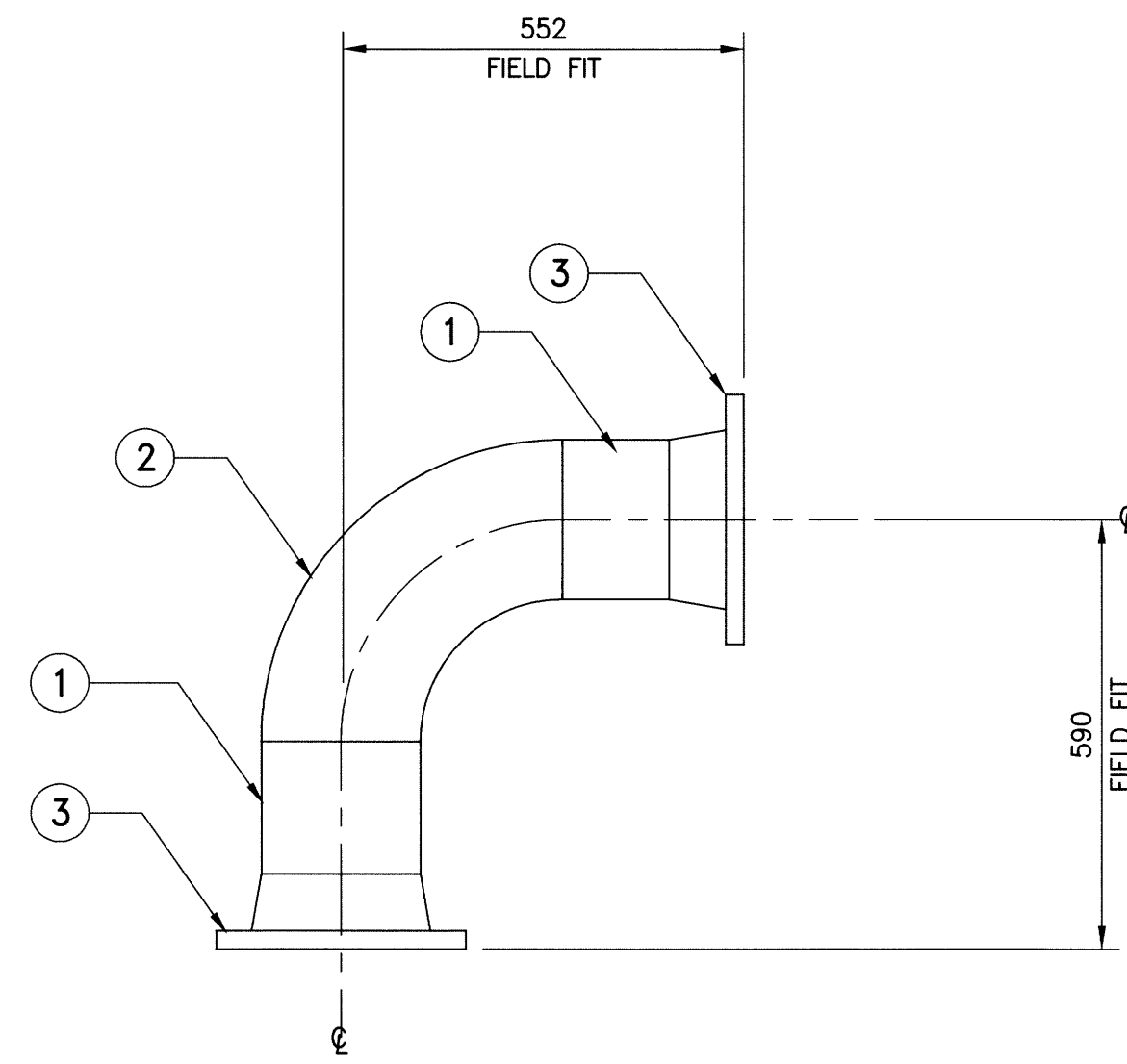


**GENERAL NOTES:**

1. REFER TO GENERAL NOTES ON DWG. M02.

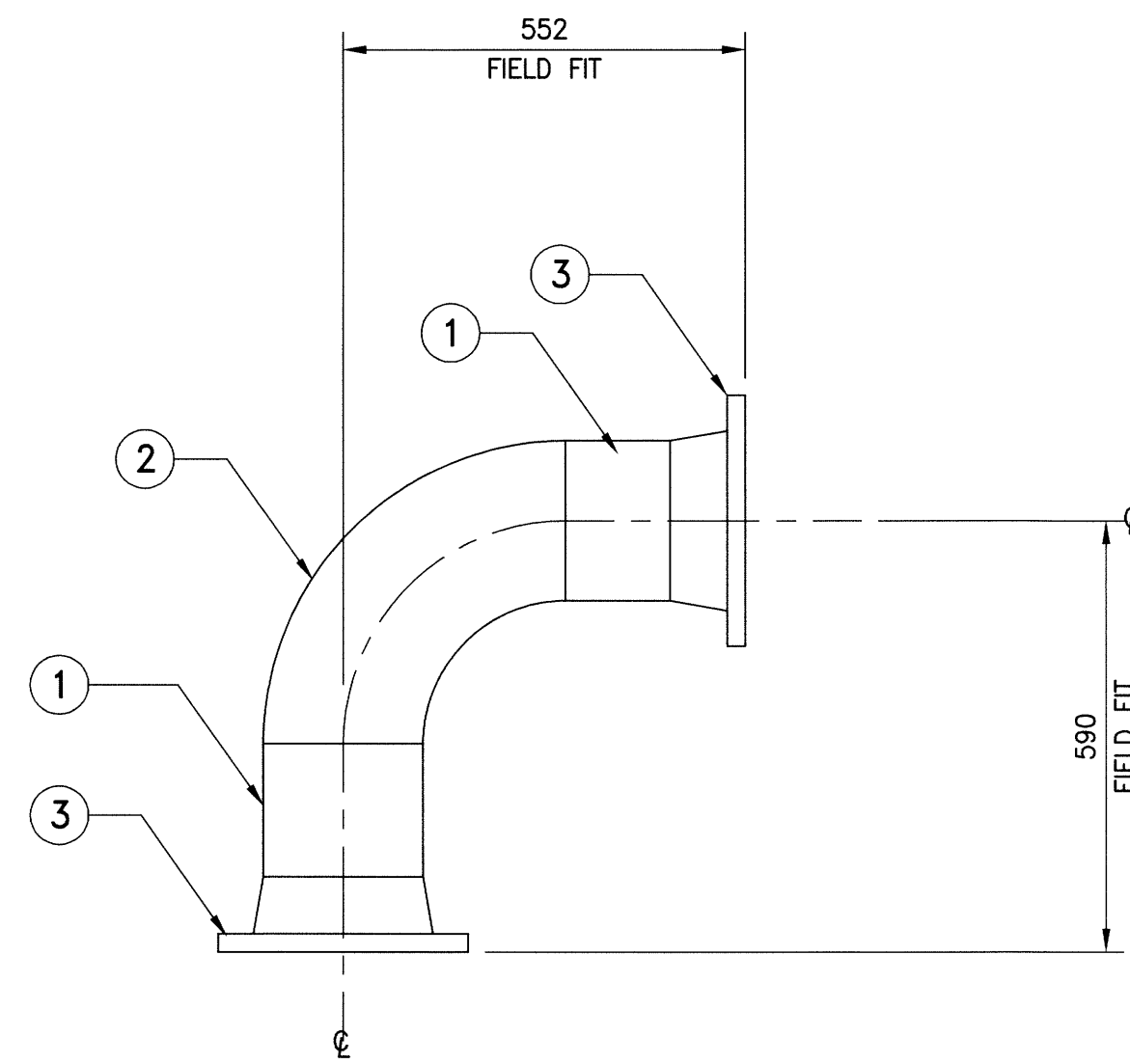


**ELEVATION**



**BILL OF MATERIALS - 1.4**

PART NO.	QTY	SIZE	TAG	DESCRIPTION
①	2	200 (8")		PIPE
②	1	200 (8")		90° ELBOW
③	2	200 (8")		WELD NECK FLANGE, FF

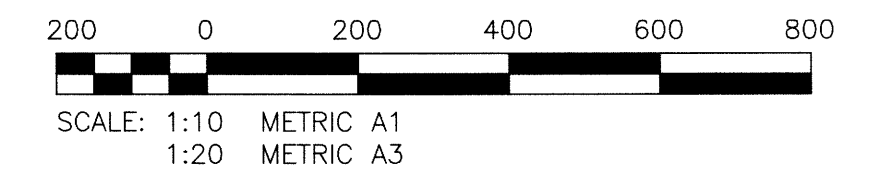


**ELEVATION**



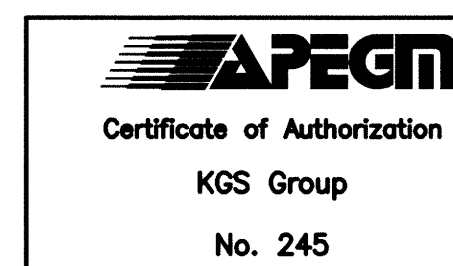
**BILL OF MATERIALS - 2.4**

PART NO.	QTY	SIZE	TAG	DESCRIPTION
①	2	200 (8")		PIPE
②	1	200 (8")		90° ELBOW
③	2	200 (8")		WELD NECK FLANGE, FF



**METRIC**

WHOLE NUMBERS INDICATE MILLIMETRES  
DECIMALIZED NUMBERS INDICATE METRES



FIELD BOOK #:	
POSTED TO LBS	
ISSUED FOR CONSTRUCTION	15/09/17
NO. REVISIONS	DATE BY

KGS GROUP CONSULTING ENGINEERS	
DESIGNED BY JS	CHECKED BY <i>RP</i>
DRAWN BY RP	APPROVED BY <i>JS</i>
HDR. SCALE AS NOTED	RELEASED FOR CONSTRUCTION
VERTICAL AS NOTED	
DATE 2015 08 17	DATE 2015/09/17

ENGINEER'S SEAL

M12

**THE CITY OF WINNIPEG**  
WATER AND WASTE DEPARTMENT

WEWPC RAS PIPE REPLACEMENT

**MECHANICAL**  
RAS PIPING - PIPE SPOOL DETAILS

SHEET 4 OF 5  
CITY DRAWING NUMBER  
1-0103S-M0036-004