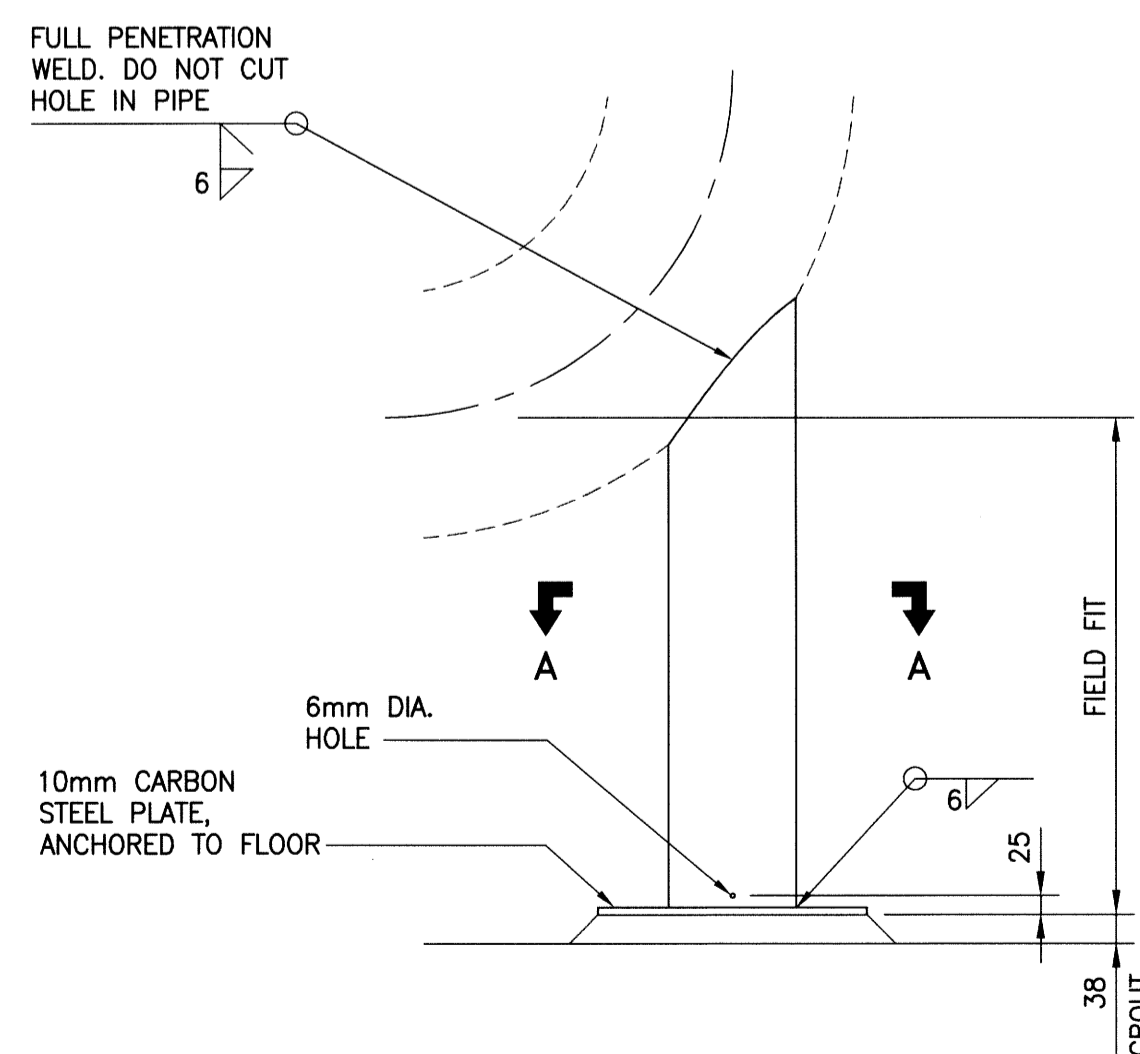


ELEVATION

PIPE SPOOLS 1.5 & 1.6
SCALE: 1:10



ELEVATION

BASE SUPPORT DETAIL
SCALE: 1:10

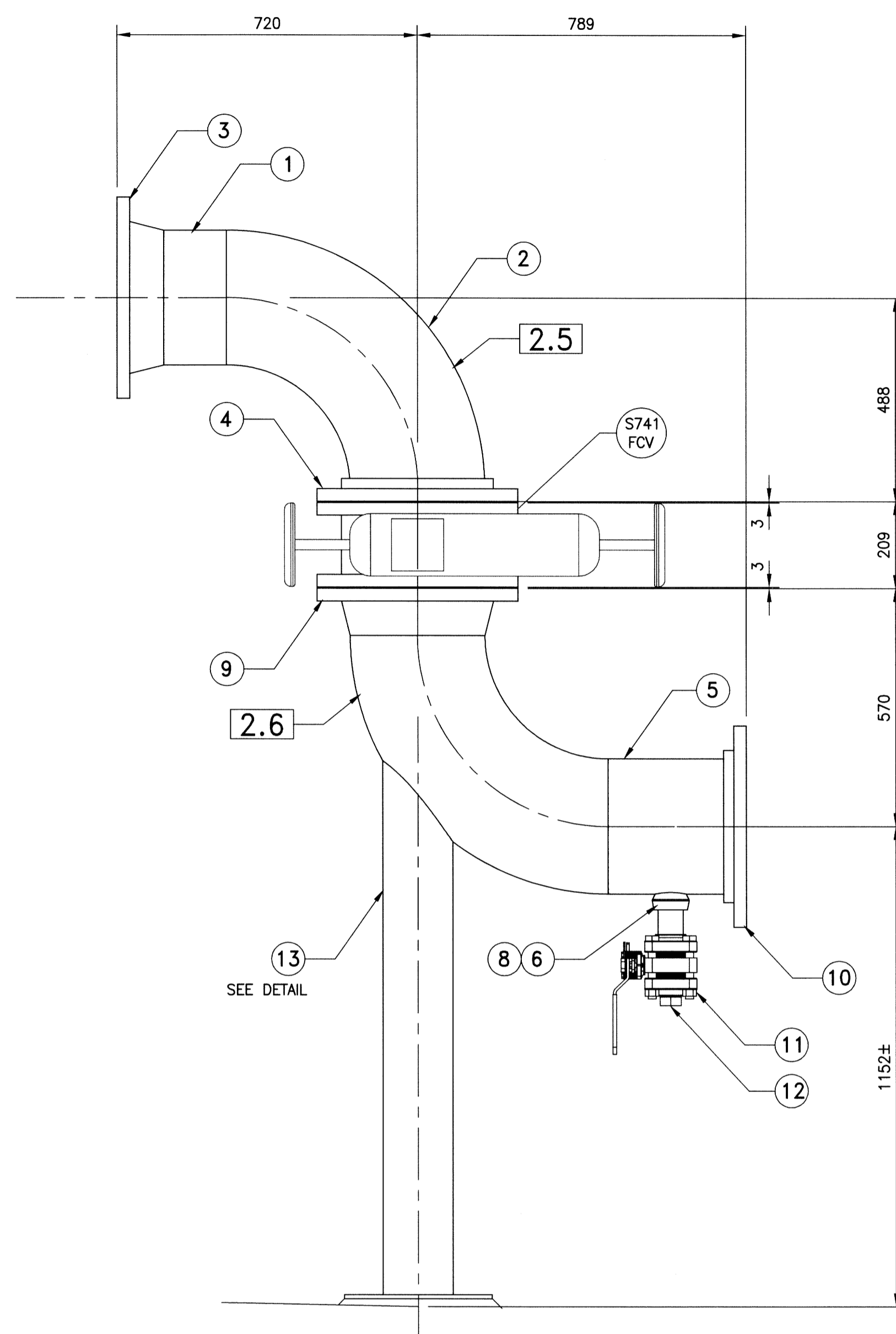
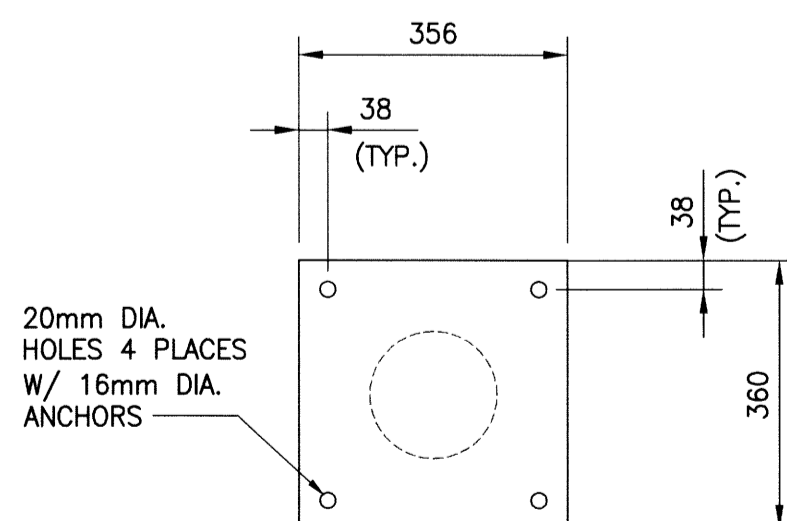
BILL OF MATERIALS - 1.5

PART NO.	QTY	SIZE	TAG	DESCRIPTION
1	1	300 (12")		PIPE
2	1	300 (12")		90° ELBOW
3	1	300 (12")		WELD NECK FLANGE, FF
4	1	300 (12")		SLIP-ON FLANGE, FF

BILL OF MATERIALS - 1.6

PART NO.	QTY	SIZE	TAG	DESCRIPTION
5	1	300 (12")		PIPE
6	1	50 (2")		NIPPLE, 75mm (3") LG.
7	1	300 (12")		90° ELBOW
8	1	50 (2")		THREDOLET
9	1	300 (12")		WELD NECK FLANGE, FF
10	1	300 (12")		SLIP-ON FLANGE, FF
11	1	50 (2")	S740-HV6	BALL VALVE W/ LEVER
12	1	50 (2")		PLUG, THRD
13	1	150 (6")		BASE SUPPORT

A-A PLATE



ELEVATION

PIPE SPOOLS 2.5 & 2.6
SCALE: 1:10

GENERAL NOTES:

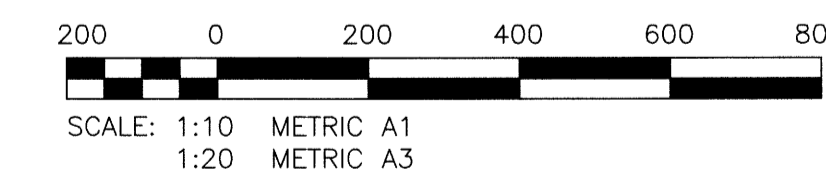
- REFER TO GENERAL NOTES ON DWG. M02.

BILL OF MATERIALS - 2.5

PART NO.	QTY	SIZE	TAG	DESCRIPTION
1	1	300 (12")		PIPE
2	1	300 (12")		90° ELBOW
3	1	300 (12")		WELD NECK FLANGE, FF
4	1	300 (12")		SLIP-ON FLANGE, FF

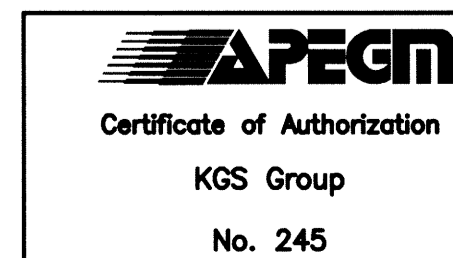
BILL OF MATERIALS - 2.6

PART NO.	QTY	SIZE	TAG	DESCRIPTION
5	1	300 (12")		PIPE
6	1	50 (2")		NIPPLE, 75mm (3") LG.
7	1	300 (12")		90° ELBOW
8	1	50 (2")		THREDOLET
9	1	300 (12")		WELD NECK FLANGE, FF
10	1	300 (12")		SLIP-ON FLANGE, FF
11	1	50 (2")	S741-HV6	BALL VALVE W/ LEVER
12	1	50 (2")		PLUG, THRD
13	1	150 (6")		BASE SUPPORT



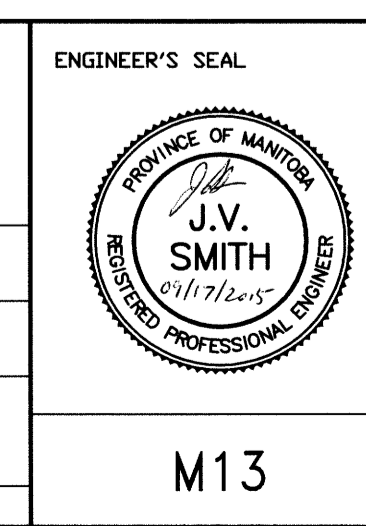
METRIC

WHOLE NUMBERS INDICATE MILLIMETRES
DECIMALIZED NUMBERS INDICATE METRES



NO.	REVISIONS	DATE	BY
0	ISSUED FOR CONSTRUCTION	15/09/17	JS

DESIGNED BY	CHECKED BY
JS	RP
DRAWN BY	APPROVED BY
RP	JS
DATE	DATE
2015 08 17	2015 08 17



THE CITY OF WINNIPEG
WATER AND WASTE DEPARTMENT

WEWPC RAS PIPE REPLACEMENT

MECHANICAL
RAS PIPING - PIPE SPOOL DETAILS

SHEET 5 OF 5
CITY DRAWING NUMBER
1-0103S-M0036-005