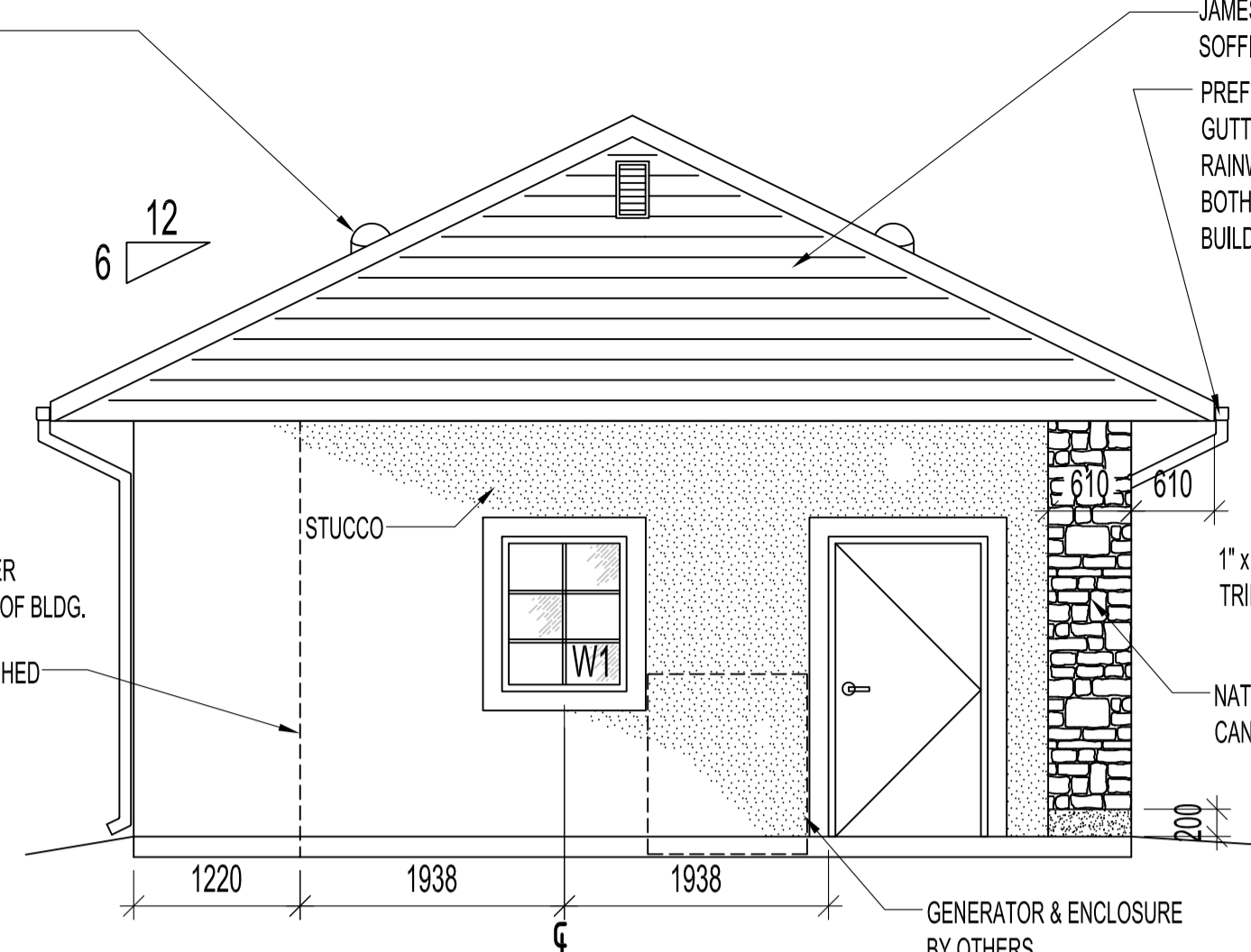
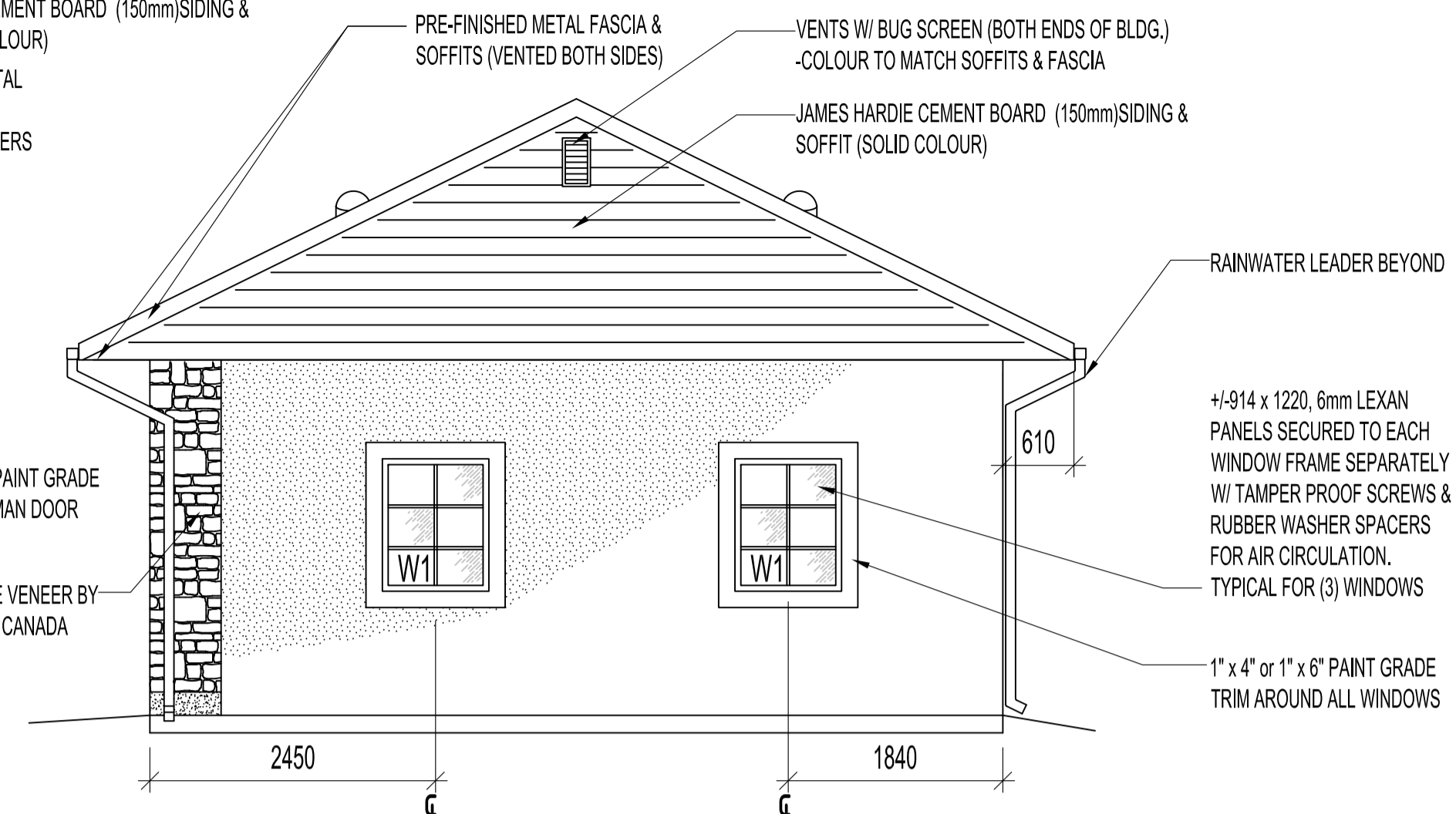


NORTH ELEVATION
SCALE 1:50

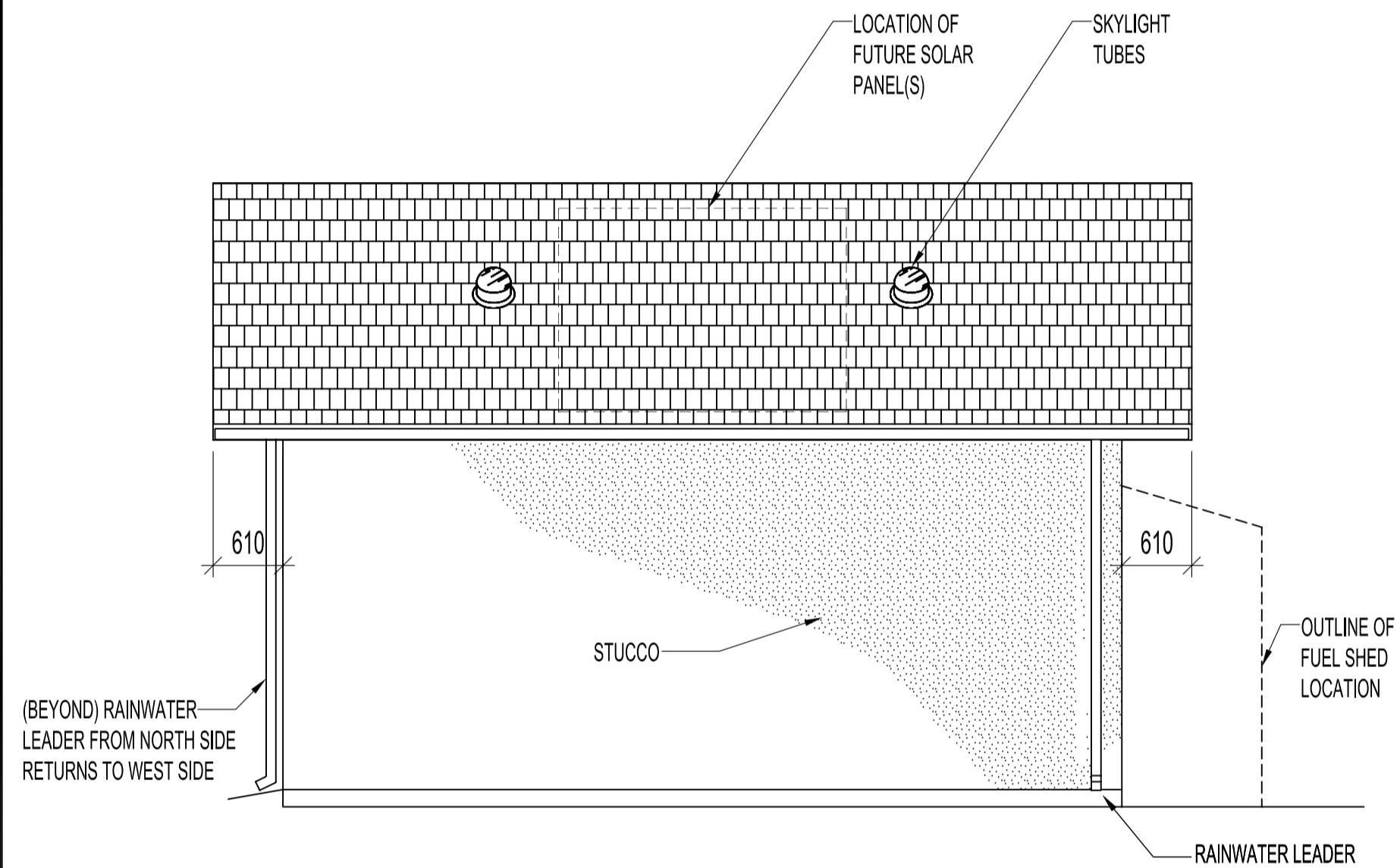


EAST ELEVATION
SCALE 1:50

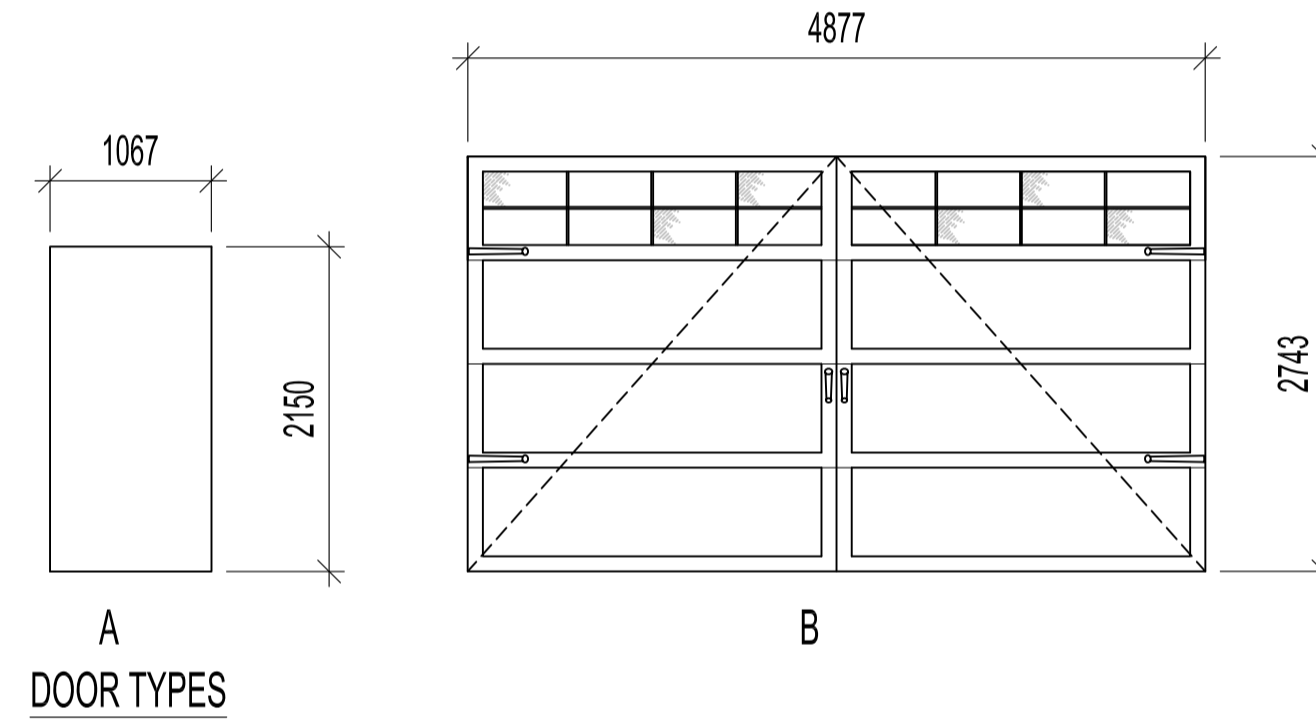


WEST ELEVATION
SCALE 1:50

NOTES:
SEE A1 FOR ALL MISC. NOTES



SOUTH ELEVATION
SCALE 1:50



DOOR D101

DOOR -1067 x 2150 x 75
FRAME TO BE PRESSED STEEL & DOOR TO BE HOLLOW METAL, BOTH TO BE PAINTED.

- 4 HINGES CB91 114x 101 NRP 28D CST
- 1 DEADLOCK B660P 50-210-MK 626 CSC
- 1 PASSAGE SET AL10S SAT 626 CSC
- 1 CRASH STOP CS115-25 US26D CIV
- 1 ASTRAGAL W-7 2134 PRIMED CKN
- 1 THRESHOLD CT-11 900 AL CKN

DOOR D102

STEEL INSULATED OVERHEAD DOOR W/ WINDOWS ABOVE. DOOR & MISC. HARDWARE BY DOOR SUPPLIER, C/W O/H DOOR OPERATOR BY LIFT MASTER HOIST OPERATOR LOGIC 5.0 C/W KEYLESS ENTRY SYSTEM 877MAX
DOOR BY:
OVERHEAD DOOR SUPPLY OF WINNIPEG
CARRIAGE HOUSE COLLECTION
CARRIAGE HOUSE STYLE 161A, 161B, 161T OR SIMILAR & BEAN HINGES & PULLS W/ STOCKTON WINDOW & OBSCURE GLASS FINISH. OWNER TO FINALIZE DOOR STYLE, FINISH HARDWARE & COLOURS.

ALL WEATHER WINDOWS, APEX ALLOY 9900 SERIES FIX SASH DUAL PANE ALUMINIUM CAP PVC. CONTRACTOR TO SUPPLY & INSTALL NEW TRANSLUCENT FILM TO EACH WINDOW PANEL

ISSUED FOR CONSTRUCTION				MMK 2015.07.24	
No.	REVISION/DESCRIPTION	BY	DATE	SEAL	

DRAWN	CHECKED	DESIGNED	APPROVED
MMK			
DATE 2015.01.15	USER APPROVAL		

THE CITY OF WINNIPEG
 PLANNING, PROPERTY AND
 DEVELOPMENT DEPARTMENT
 MUNICIPAL ACCOMMODATIONS DIVISION
 3-65 GARRY STREET, R3C 4K4

PROJECT
 PUBLIC WORKS
 PARKS & OPEN SPACE DIVISION
 NEW PARKS GARAGE
 2050 WARDE AVENUE

SHEET TITLE
ELEVATIONS & DOOR SCHEDULE

SCALE	PROJECT No:	SHEET No:
AS SHOWN	2014-128	A2