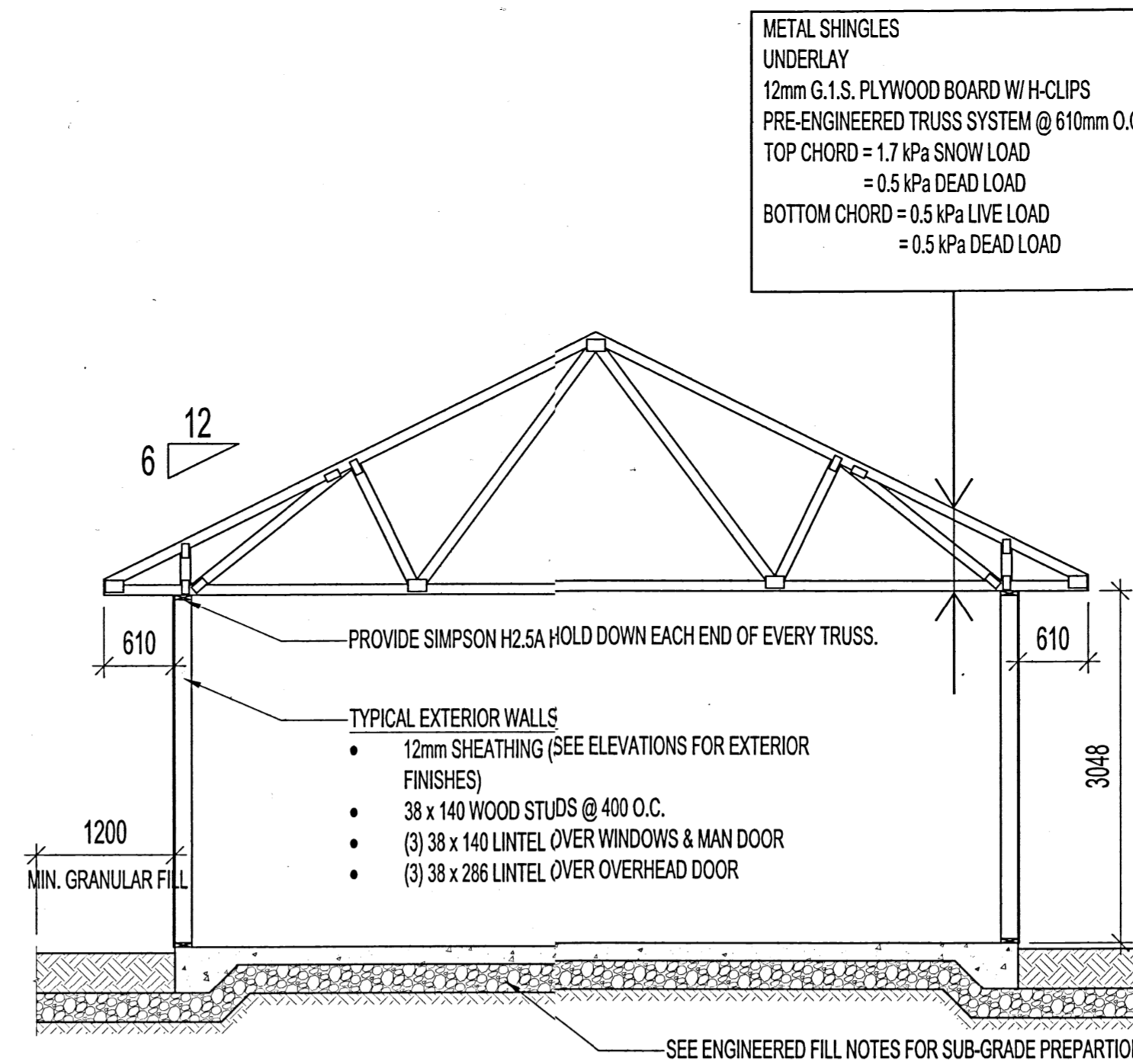


1 GARAGE FOUNDATION PLAN
S1 SCALE 1:50



BUILDING SECTION
SCALE 1:50

ENGINEERED FILL NOTES:

- ALL ORGANIC MATERIAL UNDER BUILDING FOOTPRINT & 1200mm BEYOND PERIMETER IS TO BE REMOVED TO EXPOSE UNDERLYING CLAY.
- UNDERLYING CLAY IS TO BE COMPACTED TO AT LEAST 95% STANDARD PROCTOR DENSITY. ANY SOFT SPOTS ARE TO BE SUB-CUT BY 300mm & REPLACED W/ COMPACTED 50mm DOWN GRANULAR FILL.
- FINAL SUB-GRADE IS TO BE 250mm OF 20mm DOWN GRANULAR FILL COMPACTED TO AT LEAST 98% STANDARD PROCTOR DENSITY ACROSS BUILDING FOOTPRINT & 1200mm BEYOND.
- ALL COMPACTION OF GRANULAR FILL IS TO BE TESTED BY QUALIFIED GEO-TECHNICAL PERSONNEL.

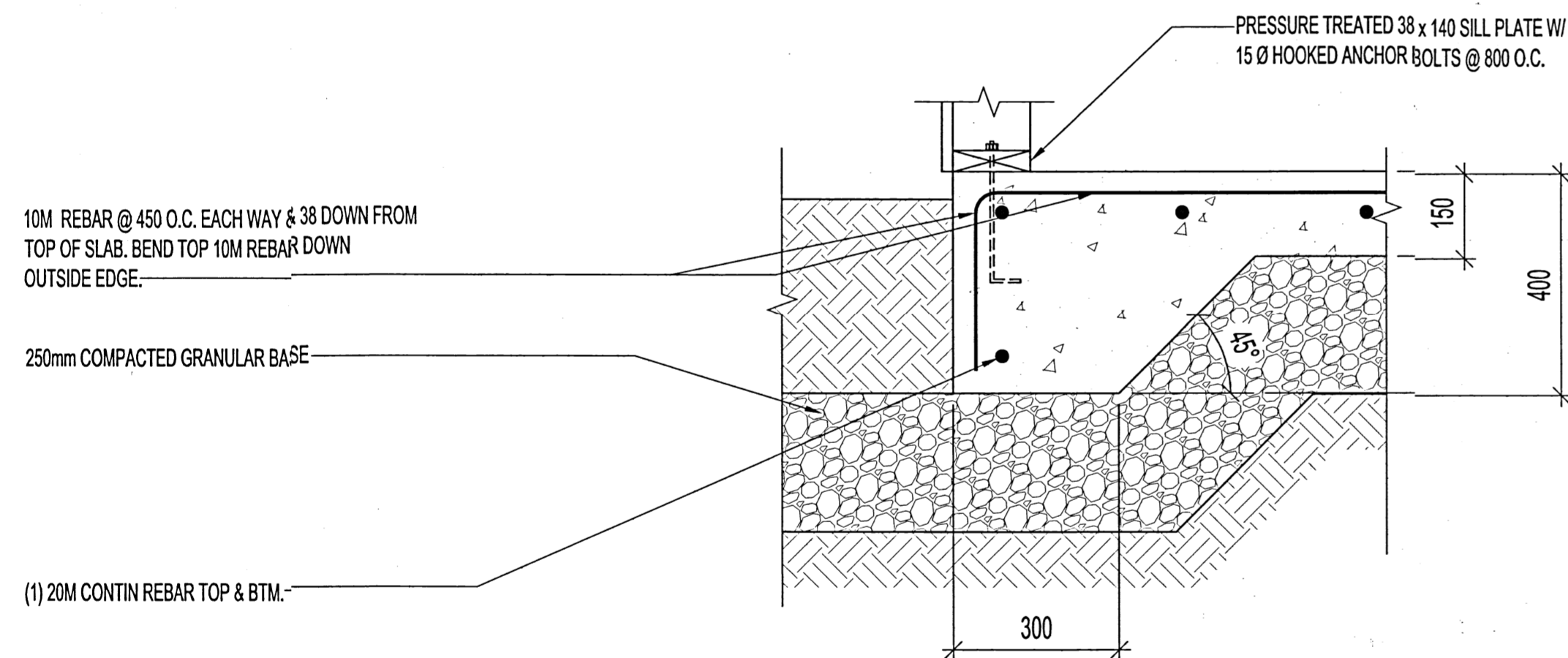
GENERAL NOTES:

- MINIMUM DESIGN SOIL BEARING PRESSURE = 1000 PSF.
- CITY OF WINNIPEG STANDARD CONSTRUCTION SPECIFICATIONS TO APPLY TO ALL WORK.
- DESIGN TO CONFORM TO 2010 MANITOBA BUILDING CODE.
- CONCRETE MATERIALS AND WORKMANSHIP SHALL BE IN ACCORDANCE WITH CAN/CSA-A23.1 (LATEST EDITION).

28 DAY COMP. STRENGTH	35 MPa
CEMENT	TYPE 10
W/C RATIO	0.45
AGGREGATE SIZE (MAX.)	20mm
SLUMP (MAX.)	90mm (± 9mm)
AIR ENTRAPMENT	5-8%
- REINFORCING STEEL TO BE NEW DEFORMED BILLET STEEL BARS CONFORMING TO CAN/CSA G30.18-M92. GRADES TO BE: 400 MPa FOR 15M BARS AND LARGER; 300 MPa FOR 10M BARS.
- BEND ALL HORIZONTAL REINFORCING 12" AROUND CORNERS OR PROVIDE ADDITIONAL 24" x 24" ANGLE BARS.
- REINFORCING STEEL SHALL BE CLEAN, FREE OF RUST, DIRT, LOOSE SCALE, OIL, GREASE OR ANY OTHER MATERIAL WHICH WOULD REDUCE BOND WITH THE CONCRETE.

STRUCTURAL WOOD

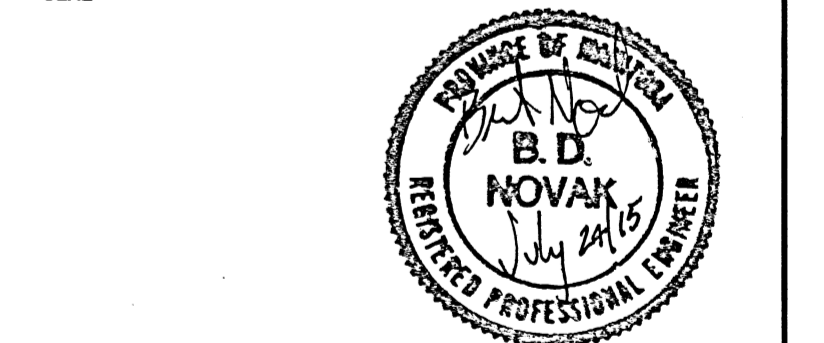
- FRAMING LUMBER SHALL CONFORM TO THE LATEST EDITION OF CSA 0141 & SHALL BE OF THE FOLLOWING MINIMUM GRADES:
LINTELS, JOISTS & BEAMS: S-P-F NO. 2
STUD WALLS S-P-F NO. 2
- ALL SHEATHING MATERIAL TO BE 12mm STD. SPRUCE PLYWOOD IN ACCORDANCE WITH CSA 0325 UNLESS NOTED OTHERWISE. ALL SHEETS TO BE STAGGERED. FASTEN SHEET WITH 75mm COMMON NAILS @ 300 O.C. ALONG ALL STUDS & AT 150mm O.C. ALONG EDGES OF SHEET UNLESS NOTED OTHERWISE.
- DESIGN ROOF TRUSSES, BRACING, BRIDGING & CONNECTORS TO THE REQUIREMENTS OF CSA 086.1-M89 & OTHER APPLICABLE STANDARDS TO SAFELY CARRY LOADS AS INDICATED ON THE DRAWINGS.
- SUBMIT SHOP DRAWINGS BEARING STAMP OF QUALIFIED PROFESSIONAL ENGINEER RESPONSIBLE FOR DESIGN.
 - INDICATE SPECIES, SIZES & STRESS GRADES OF LUMBER USED AS TRUSS MEMBERS. SHOW PITCH, SPAN, CAMBER CONFIGURATION & SPACING OF TRUSSES. INDICATE CONNECTOR TYPES, THICKNESS SIZES, LOCATIONS & DESIGN VALUE. SHOW BEARING DETAILS.
 - SUBMIT DIAGRAM INDICATING DESIGN LOAD OF EACH TRUSS MEMBER, SPECIAL LOADS, ALLOWABLE STRESS INCREASE & DEFLECTION LIMITS.
- TRUSS SUPPLIER SHALL BE RESPONSIBLE FOR FINAL INSPECTION & CERTIFICATION THAT TRUSSES ARE CONSTRUCTED & ERECTED AS PER TRUSS SUPPLIERS DESIGN ASSUMPTIONS.



2 FOUNDATION SECTION
S1 SCALE 1:10

ISSUED FOR CONSTRUCTION MMK 2015.07.24

No.	REVISION/DESCRIPTION	BY	DATE



DRAWN	CHECKED	DESIGNED	APPROVED
MMK			
DATE 2015.01.15	USER APPROVAL		

THE CITY OF WINNIPEG
PLANNING, PROPERTY AND
DEVELOPMENT DEPARTMENT
MUNICIPAL ACCOMMODATIONS DIVISION
3-65 GARRY STREET, R3C 4K4

PROJECT
PUBLIC WORKS
PARKS & OPEN SPACE DIVISION
NEW PARKS GARAGE
2050 WARDE AVENUE

SHEET TITLE

FOUNDATION PLAN & SPECIFICATIONS

SCALE	PROJECT No:	SHEET No:
AS SHOWN	2014-128	S1