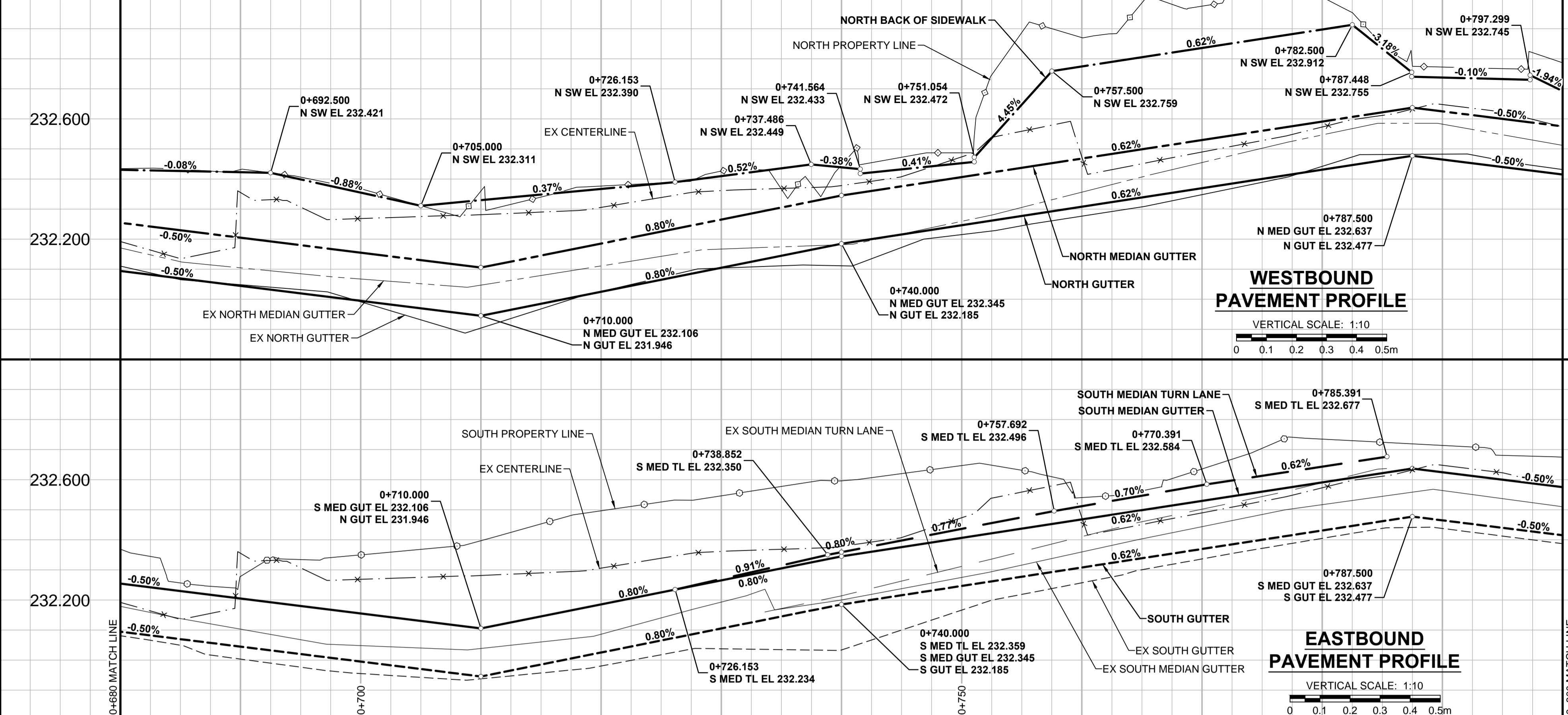
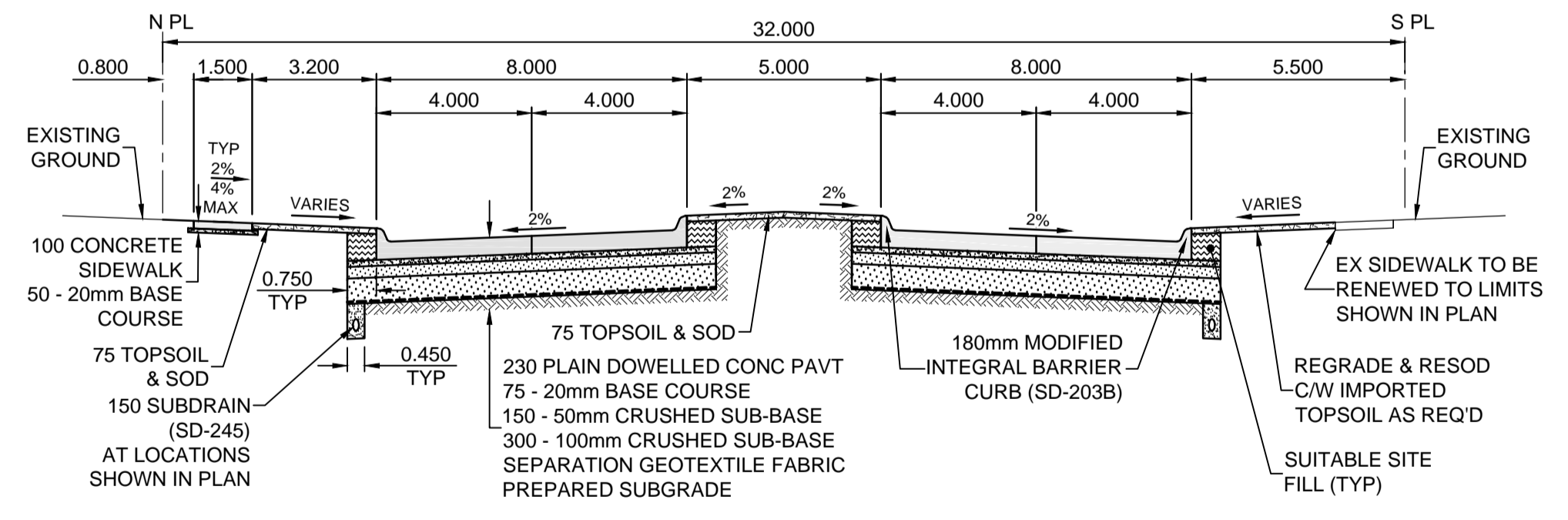
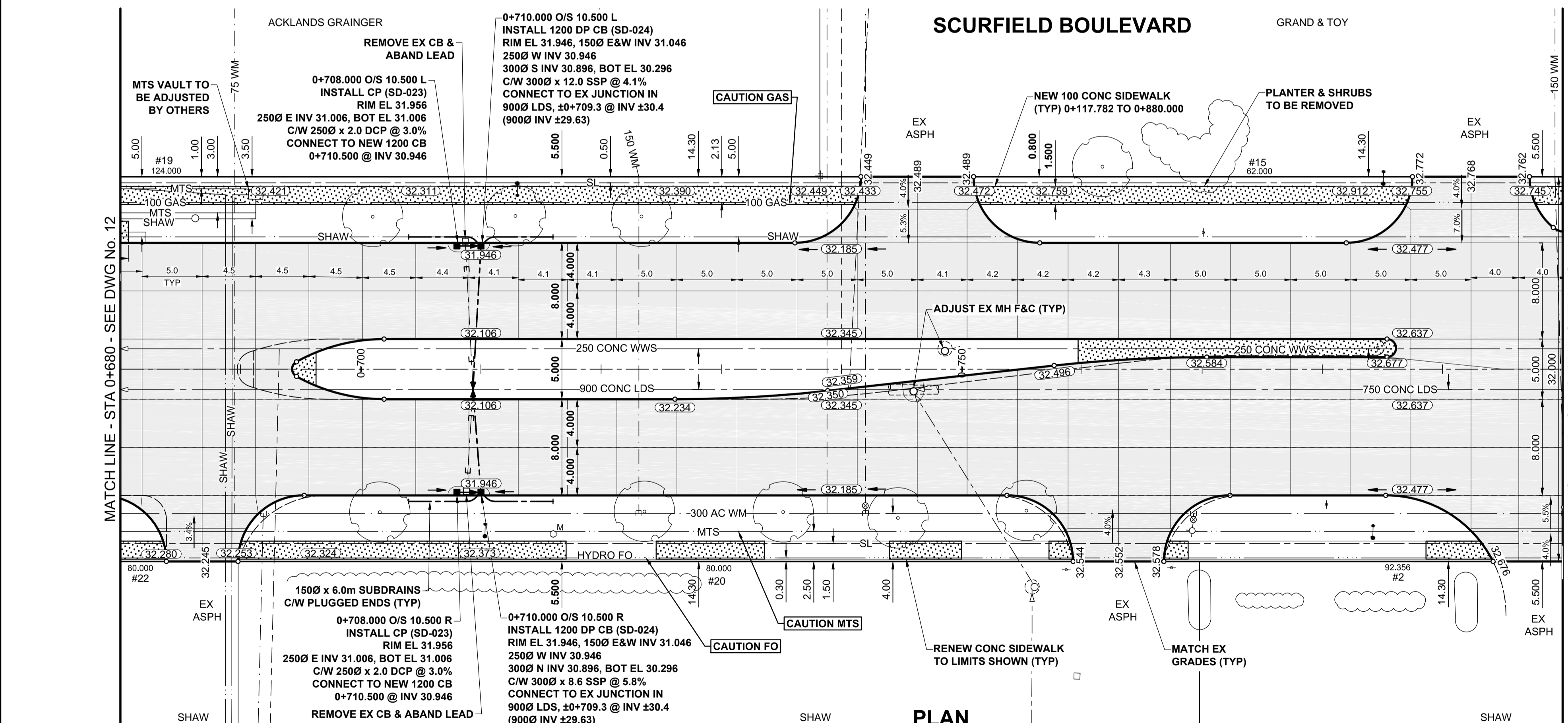


A1 SIZE 594mm x 841mm
PLOT: 2/28/2015 2:57:27 PM
FILE NAME: W140010_Scurfield-PP-06.dwg Saved By: dlane



- NOTES**
- ADJUST MH AND CB RIMS TO NEW GRADES.
 - LAMP STANDARDS, HYDRO POLES, AND ANCHORS THAT REQUIRE TEMPORARY SUPPORT, REMOVAL OR REPLACEMENT, TO BE DONE SO AT THE EXPENSE OF THE CONTRACTOR AS NECESSARY.
 - CONTRACTOR TO REGRADE/RENEW EXISTING PRIVATE SIDEWALKS TO LIMITS AS SHOWN. SIDEWALKS TO BE RENEWED WITH CONCRETE UNLESS NOTED OTHERWISE.
 - CONTRACTOR TO TAKE PRECAUTIONARY STEPS TO PROTECT EXISTING TREES WITHIN THE LIMITS OF CONSTRUCTION FROM DAMAGE FROM CONSTRUCTION ACTIVITIES AS OUTLINED IN THE SPECIFICATIONS.
 - CONTRACTOR TO CONFIRM THE LOCATION OF ALL UTILITIES/SERVICES IN THE FIELD PRIOR TO CONSTRUCTION.
 - IN GENERAL, PAVEMENT AND SIDEWALK AREAS TO BE REMOVED, MATCH RECONSTRUCTION LIMITS.
 - CB SD-024 OFFSETS ARE DIMENSIONED TO BOC. CB SD-025 OFFSETS ARE DIMENSIONED O.C.
 - REFER TO SPECIFICATIONS FOR STAGING REQUIREMENTS.
 - MODIFIED BARRIER CURB & GUTTER INLET FRAME & COVER TF-122.
 - ADD 200.000m TO ABBREVIATED ELEVATIONS TO OBTAIN GEODETIC ELEVATIONS.



METRIC
WHOLE NUMBERS INDICATE MILLIMETRES
DECIMALIZED NUMBERS INDICATE METRES

LEGEND - PLAN		LEGEND - PLAN		LEGEND - PLAN		LEGEND - PLAN	
EXISTING	NEW	EXISTING	NEW	EXISTING	NEW	EXISTING	NEW
	GAS		MANHOLE		CONCRETE PAVEMENT		LOCATION APPROVED
	MTS		CATCH BASIN / CATCH PIT		CONC SIDEWALK / MEDIAN		UNDERGROUND STRUCTURES
	HYDRO		CURB INLET WITH BOX		ASPHALT PAVEMENT		DATE
	CATV / FIBRE OPTIC		TREE		PAVING STONE		COMMITTEE
	TRAFFIC SIGNALS / PIT		TEST HOLE		GRAVEL		NOTE:
	LAND DRAINAGE SEWER		PROPERTY LINE		RAMP CURB		LOCATION OF UNDERGROUND STRUCTURES AS SHOWN ARE BASED ON THE BEST INFORMATION AVAILABLE. BUT NO GUARANTEE IS GIVEN THAT ALL EXISTING UTILITIES ARE SHOWN OR THAT THE GIVEN LOCATIONS ARE EXACT. CONFIRMATION OF EXISTENCE AND EXACT LOCATION OF ALL SERVICES MUST BE OBTAINED FROM THE INDIVIDUAL UTILITIES BEFORE PROCEEDING WITH CONSTRUCTION.
	SANITARY/COMBINED SEWER		SURVEY BAR		PLANING / REMOVAL		DATE
	SEWER SERV/DRAINAGE CONN		FENCE				DATE
	WATERMAIN		BOC / EDGE OF PAVEMENT				DATE
	SUBDRAIN		ELEVATION				DATE
	DITCH		TRAFFIC SIGN				DATE

NO.	REVISIONS	DATE	BY
B	ISSUED FOR TENDER	15/02/27	JGK
A	ISSUED FOR CLIENT REVIEW	15/02/02	JGK

DESIGNED BY	CHECKED BY
JGK	RPB
DRAWN BY	APPROVED BY
DML	BWB
HOR. SCALE	RELEASED FOR CONSTRUCTION
1:250	
VERT. SCALE	DATE
1:10	15/02/02

PROFESSIONAL'S SEAL
PROVINCE OF MANITOBA
REGISTERED PROFESSIONAL ENGINEER
J.G. KENNEDY
Member
22326
CONSULTANT DRAWING No.
W140010_Scurfield-PP-06.dwg

THE CITY OF WINNIPEG
PUBLIC WORKS DEPARTMENT
ENGINEERING DIVISION

2015 LOCAL STREET & ALLEY RENEWAL PROGRAM
SCURFIELD BOULEVARD
DOVERCOURT DR TO WAVERLEY ST
CONCRETE RECONSTRUCTION
HORIZONTAL AND VERTICAL ALIGNMENT
STA 0+680 TO STA 0+800

CITY DRAWING NUMBER: N/A
SHEET 13 OF 14
DRAWING No. 13
REV B

BID OPPORTUNITY No. 8-2015