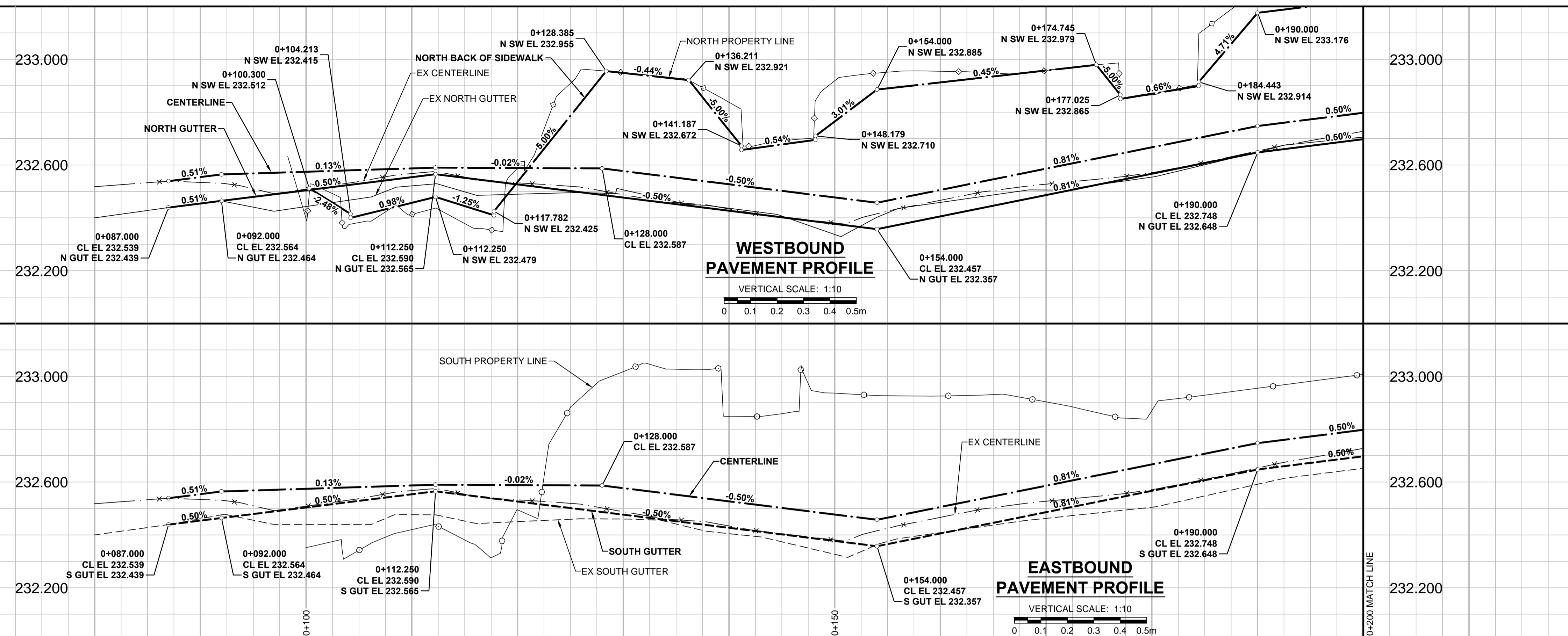
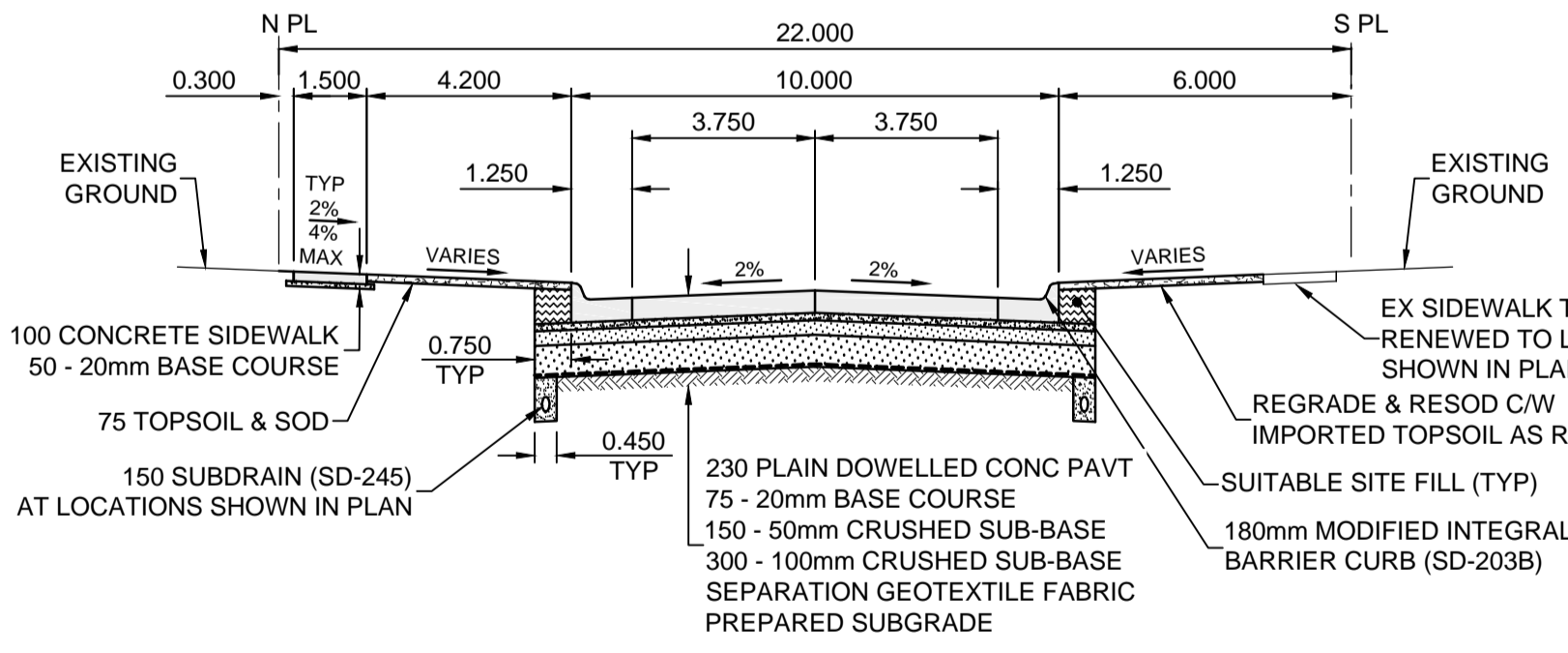
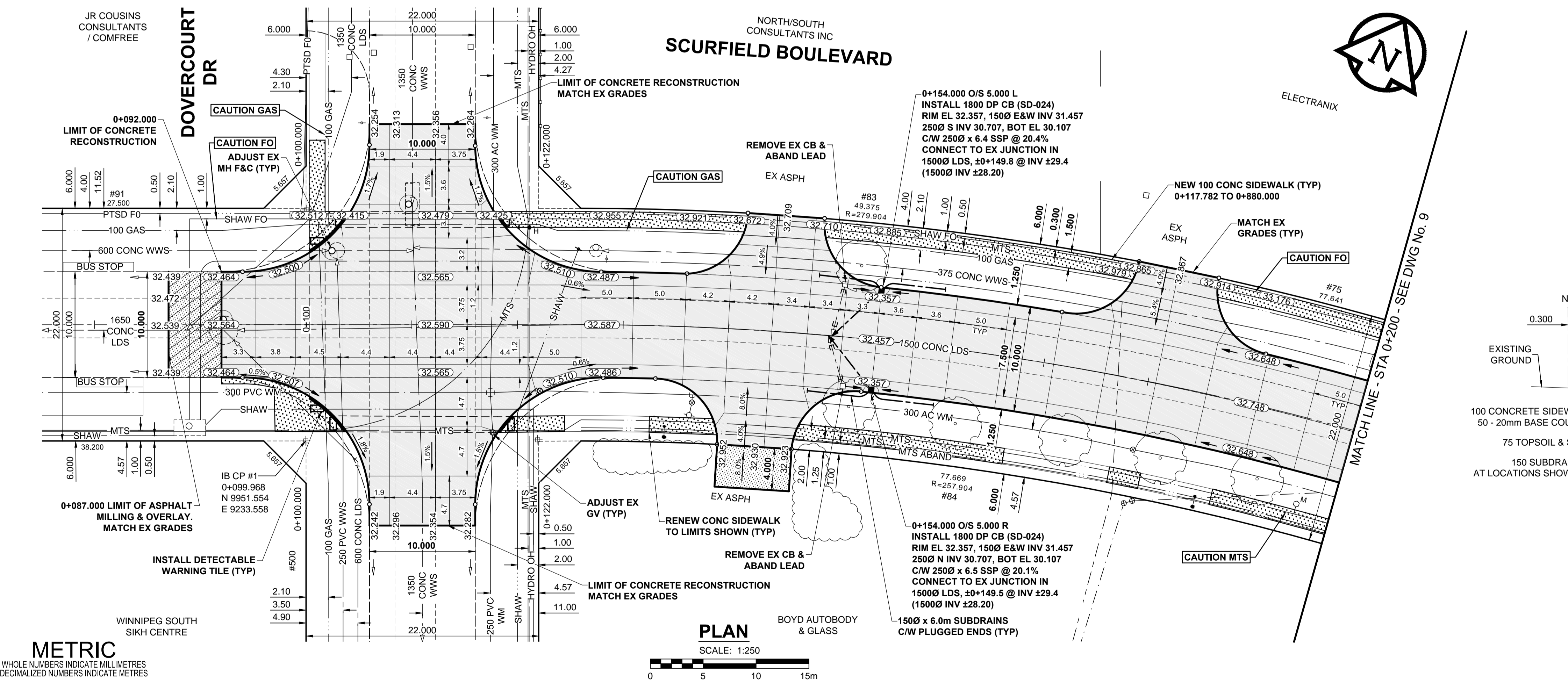


A1 SIZE 594mm x 841mm
PLOT: 2/28/2015 2:51:14 PM
FILE NAME: W140010.Scurfield-PP-01.dwg, Saved By: dlane



- NOTES**
- ADJUST MH AND CB RIMS TO NEW GRADES.
 - LAMP STANDARDS, HYDRO POLES, AND ANCHORS THAT REQUIRE TEMPORARY SUPPORT, REMOVAL OR REPLACEMENT, TO BE DONE SO AT THE EXPENSE OF THE CONTRACTOR AS NECESSARY.
 - CONTRACTOR TO REGRADE/RENEW EXISTING PRIVATE SIDEWALKS TO LIMITS AS SHOWN. SIDEWALKS TO BE RENEWED WITH CONCRETE UNLESS NOTED OTHERWISE.
 - CONTRACTOR TO TAKE PRECAUTIONARY STEPS TO PROTECT EXISTING TREES WITHIN THE LIMITS OF CONSTRUCTION FROM DAMAGE FROM CONSTRUCTION ACTIVITIES AS OUTLINED IN THE SPECIFICATIONS.
 - CONTRACTOR TO CONFIRM THE LOCATION OF ALL UTILITIES/SERVICES IN THE FIELD PRIOR TO CONSTRUCTION.
 - IN GENERAL, PAVEMENT AND SIDEWALK AREAS TO BE REMOVED, MATCH RECONSTRUCTION LIMITS.
 - CB SD-024 OFFSETS ARE DIMENSIONED TO BOC. CB SD-025 OFFSETS ARE DIMENSIONED O.C.
 - REFER TO SPECIFICATIONS FOR STAGING REQUIREMENTS.
 - MODIFIED BARRIER CURB & GUTTER INLET FRAME & COVER TF-122.
 - ADD 200.000m TO ABBREVIATED ELEVATIONS TO OBTAIN GEODETIC ELEVATIONS.



LEGEND - PLAN		LEGEND - PLAN		LEGEND - PLAN		LEGEND - PLAN	
EXISTING	NEW	EXISTING	NEW	EXISTING	NEW	EXISTING	NEW
(Symbol)	(Symbol)	(Symbol)	(Symbol)	(Symbol)	(Symbol)	(Symbol)	(Symbol)
(Symbol)	(Symbol)	(Symbol)	(Symbol)	(Symbol)	(Symbol)	(Symbol)	(Symbol)
(Symbol)	(Symbol)	(Symbol)	(Symbol)	(Symbol)	(Symbol)	(Symbol)	(Symbol)
(Symbol)	(Symbol)	(Symbol)	(Symbol)	(Symbol)	(Symbol)	(Symbol)	(Symbol)
(Symbol)	(Symbol)	(Symbol)	(Symbol)	(Symbol)	(Symbol)	(Symbol)	(Symbol)
(Symbol)	(Symbol)	(Symbol)	(Symbol)	(Symbol)	(Symbol)	(Symbol)	(Symbol)
(Symbol)	(Symbol)	(Symbol)	(Symbol)	(Symbol)	(Symbol)	(Symbol)	(Symbol)
(Symbol)	(Symbol)	(Symbol)	(Symbol)	(Symbol)	(Symbol)	(Symbol)	(Symbol)
(Symbol)	(Symbol)	(Symbol)	(Symbol)	(Symbol)	(Symbol)	(Symbol)	(Symbol)
(Symbol)	(Symbol)	(Symbol)	(Symbol)	(Symbol)	(Symbol)	(Symbol)	(Symbol)
(Symbol)	(Symbol)	(Symbol)	(Symbol)	(Symbol)	(Symbol)	(Symbol)	(Symbol)

LOCATION APPROVED UNDERGROUND STRUCTURES

DATE COMMITTEE

NOTE:
LOCATION OF UNDERGROUND STRUCTURES AS SHOWN ARE BASED ON THE BEST INFORMATION AVAILABLE. BUT NO GUARANTEE IS GIVEN THAT ALL EXISTING UTILITIES ARE SHOWN OR THAT THE GIVEN LOCATIONS ARE EXACT. CONFIRMATION OF EXISTENCE AND EXACT LOCATION OF ALL SERVICES MUST BE OBTAINED FROM THE INDIVIDUAL UTILITIES BEFORE PROCEEDING WITH CONSTRUCTION.

DESIGNED BY	JGK	CHECKED BY	RPB
DRAWN BY	DML	APPROVED BY	BWB
HOR. SCALE	1:250	RELEASED FOR CONSTRUCTION	
VERT. SCALE	1:10		
DATE	15/02/02	DATE	

PROFESSIONAL'S SEAL

PROVINCE OF MANITOBA
J.G. KENNEDY
Member
22326
REGISTERED PROFESSIONAL ENGINEER

CONSULTANT DRAWING No.
W140010.Scurfield-PP-01.dwg

THE CITY OF WINNIPEG
PUBLIC WORKS DEPARTMENT
ENGINEERING DIVISION

2015 LOCAL STREET & ALLEY RENEWAL PROGRAM
SCURFIELD BOULEVARD
DOVERCOURT DR TO WAVERLEY ST
CONCRETE RECONSTRUCTION
HORIZONTAL AND VERTICAL ALIGNMENT
STA 0+075 TO STA 0+200

CITY DRAWING NUMBER
N/A

SHEET 8 OF 14

DRAWING No. 8
REV B

BID OPPORTUNITY No. 8-2015