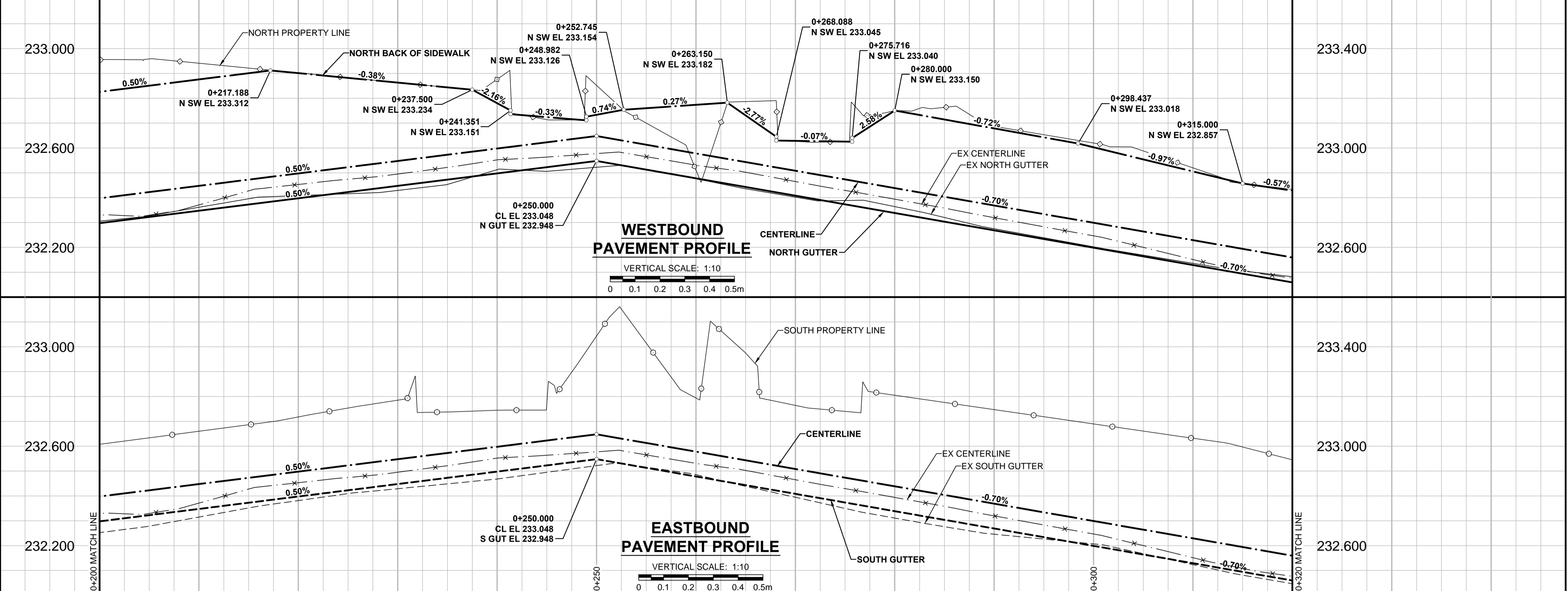
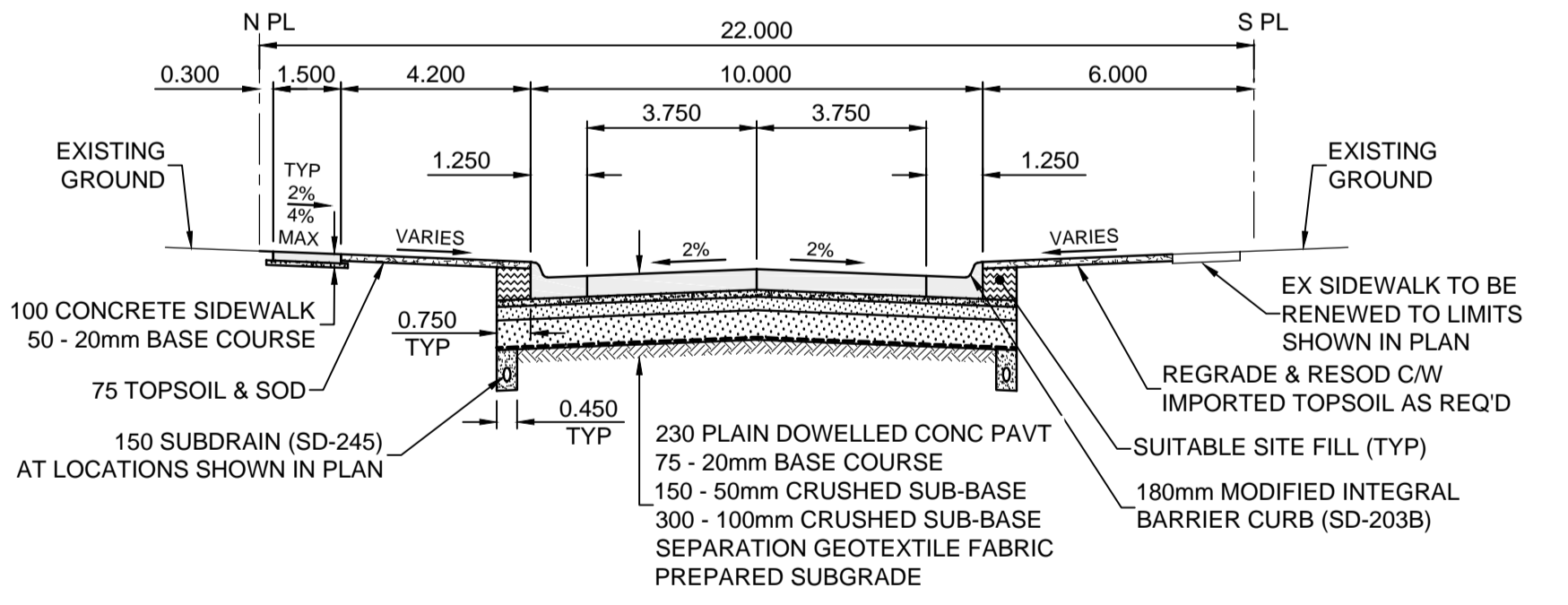
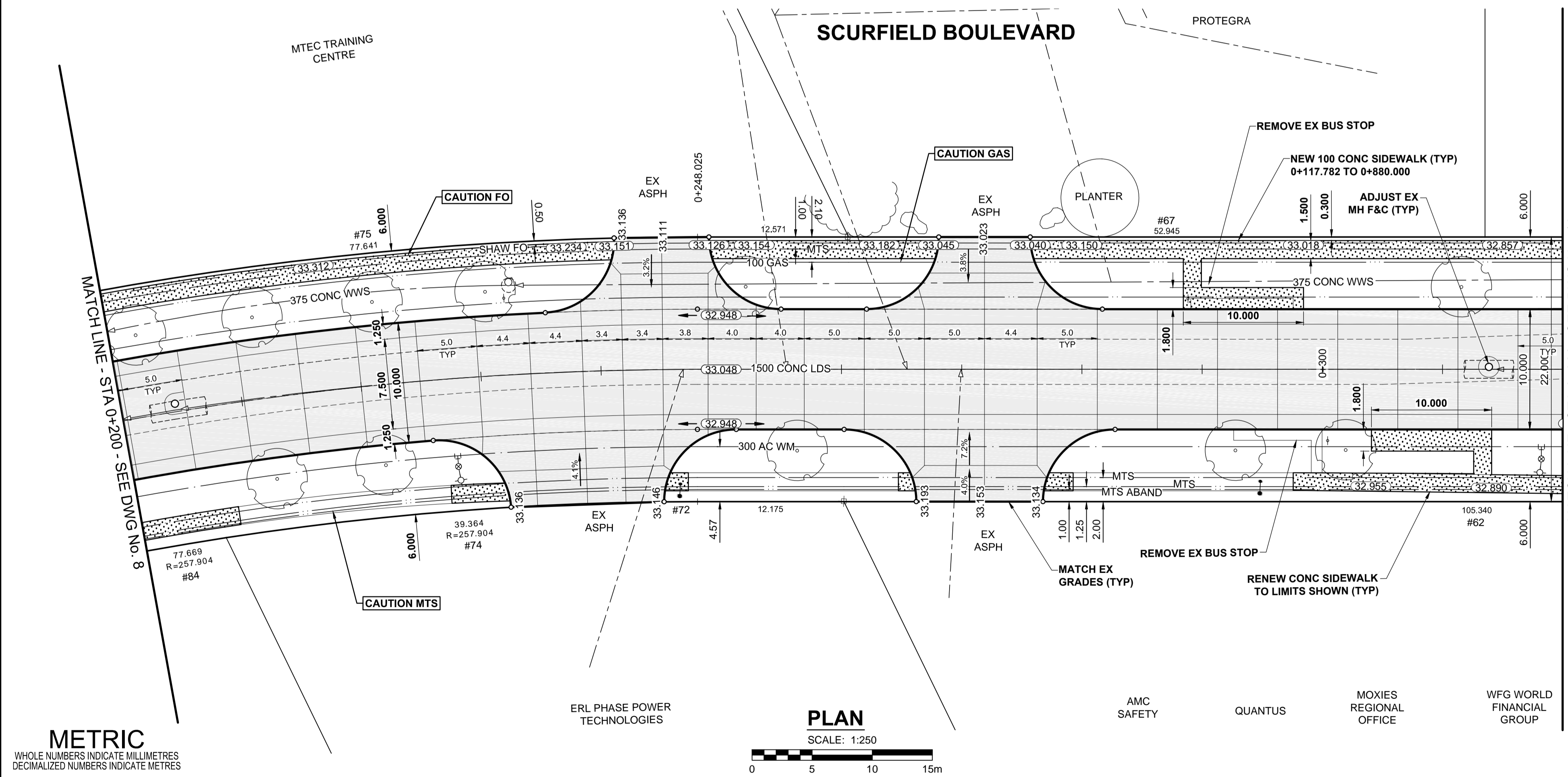


A1 SIZE 594mm x 841mm  
PLOT: 2/28/2015 2:52:24 PM  
FILE NAME: W140010.Scurfield-PP-02.dwg Saved By: dlane



- NOTES**
- ADJUST MH AND CB RIMS TO NEW GRADES.
  - LAMP STANDARDS, HYDRO POLES, AND ANCHORS THAT REQUIRE TEMPORARY SUPPORT, REMOVAL OR REPLACEMENT, TO BE DONE SO AT THE EXPENSE OF THE CONTRACTOR AS NECESSARY.
  - CONTRACTOR TO REGRADE/RENEW EXISTING PRIVATE SIDEWALKS TO LIMITS AS SHOWN. SIDEWALKS TO BE RENEWED WITH CONCRETE UNLESS NOTED OTHERWISE.
  - CONTRACTOR TO TAKE PRECAUTIONARY STEPS TO PROTECT EXISTING TREES WITHIN THE LIMITS OF CONSTRUCTION FROM DAMAGE FROM CONSTRUCTION ACTIVITIES AS OUTLINED IN THE SPECIFICATIONS.
  - CONTRACTOR TO CONFIRM THE LOCATION OF ALL UTILITIES/SERVICES IN THE FIELD PRIOR TO CONSTRUCTION.
  - IN GENERAL, PAVEMENT AND SIDEWALK AREAS TO BE REMOVED, MATCH RECONSTRUCTION LIMITS.
  - CB SD-024 OFFSETS ARE DIMENSIONED TO BOC. CB SD-025 OFFSETS ARE DIMENSIONED O.C.
  - REFER TO SPECIFICATIONS FOR STAGING REQUIREMENTS.
  - MODIFIED BARRIER CURB & GUTTER INLET FRAME & COVER TF-122.
  - ADD 200.000m TO ABBREVIATED ELEVATIONS TO OBTAIN GEODETIC ELEVATIONS.



**METRIC**  
WHOLE NUMBERS INDICATE MILLIMETRES  
DECIMALIZED NUMBERS INDICATE METRES

---	GAS	○	MANHOLE	●	CONCRETE PAVEMENT
---	MTS	□	CATCH BASIN / CATCH PIT	■	CONC SIDEWALK / MEDIAN
---	HYDRO	△	CURB INLET WITH BOX	▲	ASPHALT PAVEMENT
---	CATV / FIBRE OPTIC	⊙	TREE	⊘	PAVING STONE
---	TRAFFIC SIGNALS / PIT	⊕	TEST HOLE	⊖	GRAVEL
---	LAND DRAINAGE SEWER	⊕	PROPERTY LINE	---	RAMP CURB
---	SANITARY/COMBINED SEWER	⊕	SURVEY BAR	---	PLANING / REMOVAL
---	SEWER SERV/DRAINAGE CONN	⊕	FENCE	---	
---	WATERMAIN	⊕	BOC / EDGE OF PAVEMENT	---	
---	SUBDRAIN	---	ELEVATION	(33.100)	
---	DITCH	---	TRAFFIC SIGN	(33.100)	
---	EXISTING	---			
---	LEGEND - PLAN	---			
---	NEW	---			
---	EXISTING	---			
---	LEGEND - PLAN	---			
---	NEW	---			
---	EXISTING	---			
---	LEGEND - PLAN	---			
---	NEW	---			

**LOCATION APPROVED UNDERGROUND STRUCTURES**

SUPR, U/G STRUCTURES DATE COMMITTEE

**NOTE:**  
LOCATION OF UNDERGROUND STRUCTURES AS SHOWN ARE BASED ON THE BEST INFORMATION AVAILABLE. BUT NO GUARANTEE IS GIVEN THAT ALL EXISTING UTILITIES ARE SHOWN OR THAT THE GIVEN LOCATIONS ARE EXACT. CONFIRMATION OF EXISTENCE AND EXACT LOCATION OF ALL SERVICES MUST BE OBTAINED FROM THE INDIVIDUAL UTILITIES BEFORE PROCEEDING WITH CONSTRUCTION.

B	ISSUED FOR TENDER	15/02/27	JGK
A	ISSUED FOR CLIENT REVIEW	15/02/02	JGK
No.	REVISIONS	YYMMDD	BY

**MORRISON HERSHFELD**

DESIGNED BY: JGK  
DRAWN BY: DML

CHECKED BY: RPB  
APPROVED BY: BWB

HOR. SCALE: 1:250  
VERT. SCALE: 1:10

DATE: 15/02/02

PROFESSIONAL'S SEAL

PROVINCE OF MANITOBA

J.G. KENNEDY  
Member  
22326

REGISTERED PROFESSIONAL ENGINEER

CONSULTANT DRAWING No.  
W140010 Scurfield-PP-02.dwg

**THE CITY OF WINNIPEG**  
PUBLIC WORKS DEPARTMENT  
ENGINEERING DIVISION

2015 LOCAL STREET & ALLEY RENEWAL PROGRAM

**SCURFIELD BOULEVARD**  
DOVERCOURT DR TO WAVERLEY ST  
CONCRETE RECONSTRUCTION  
HORIZONTAL AND VERTICAL ALIGNMENT  
STA 0+200 TO STA 0+320

CITY DRAWING NUMBER: N/A  
SHEET 9 OF 14  
DRAWING No. 9  
REV B

BID OPPORTUNITY No. 8-2015