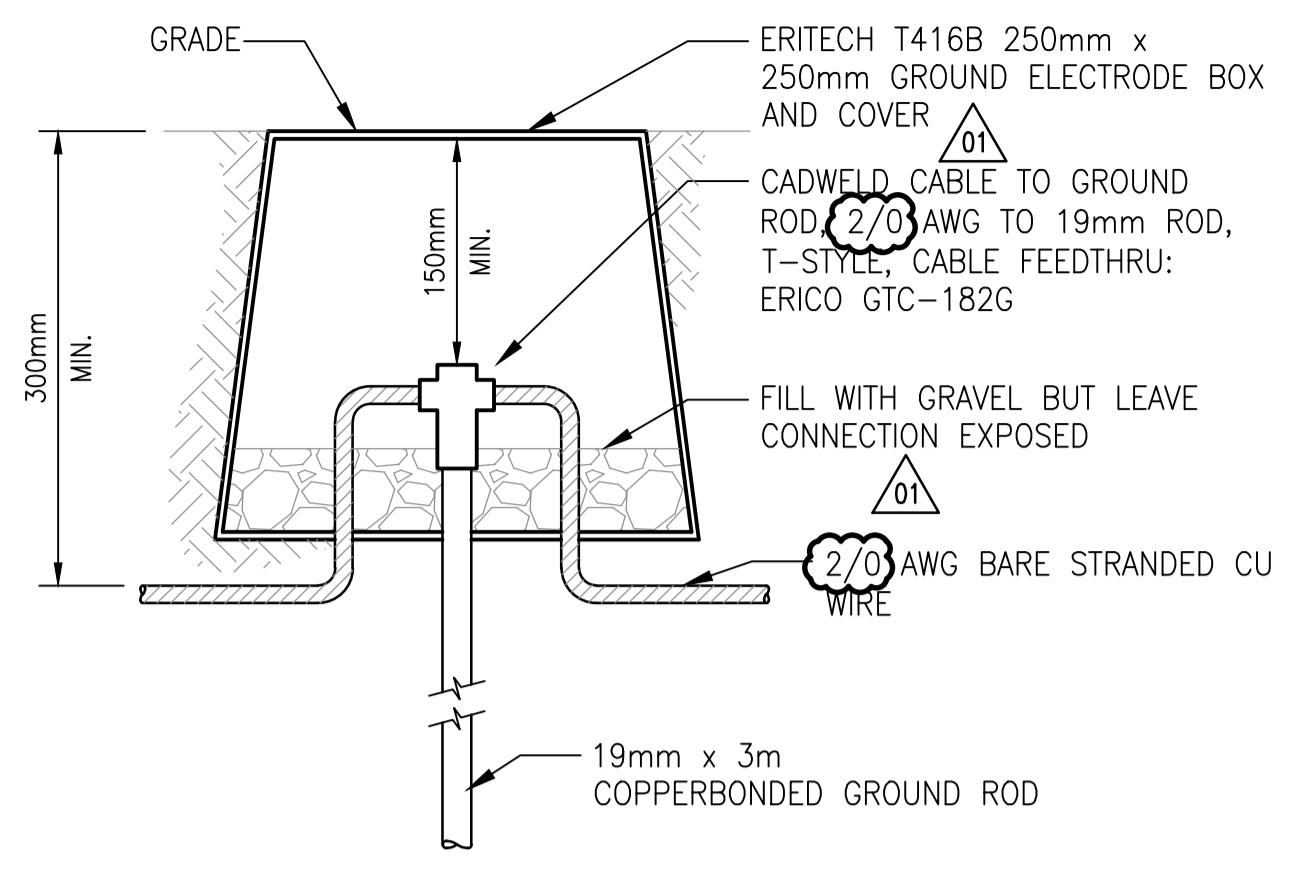
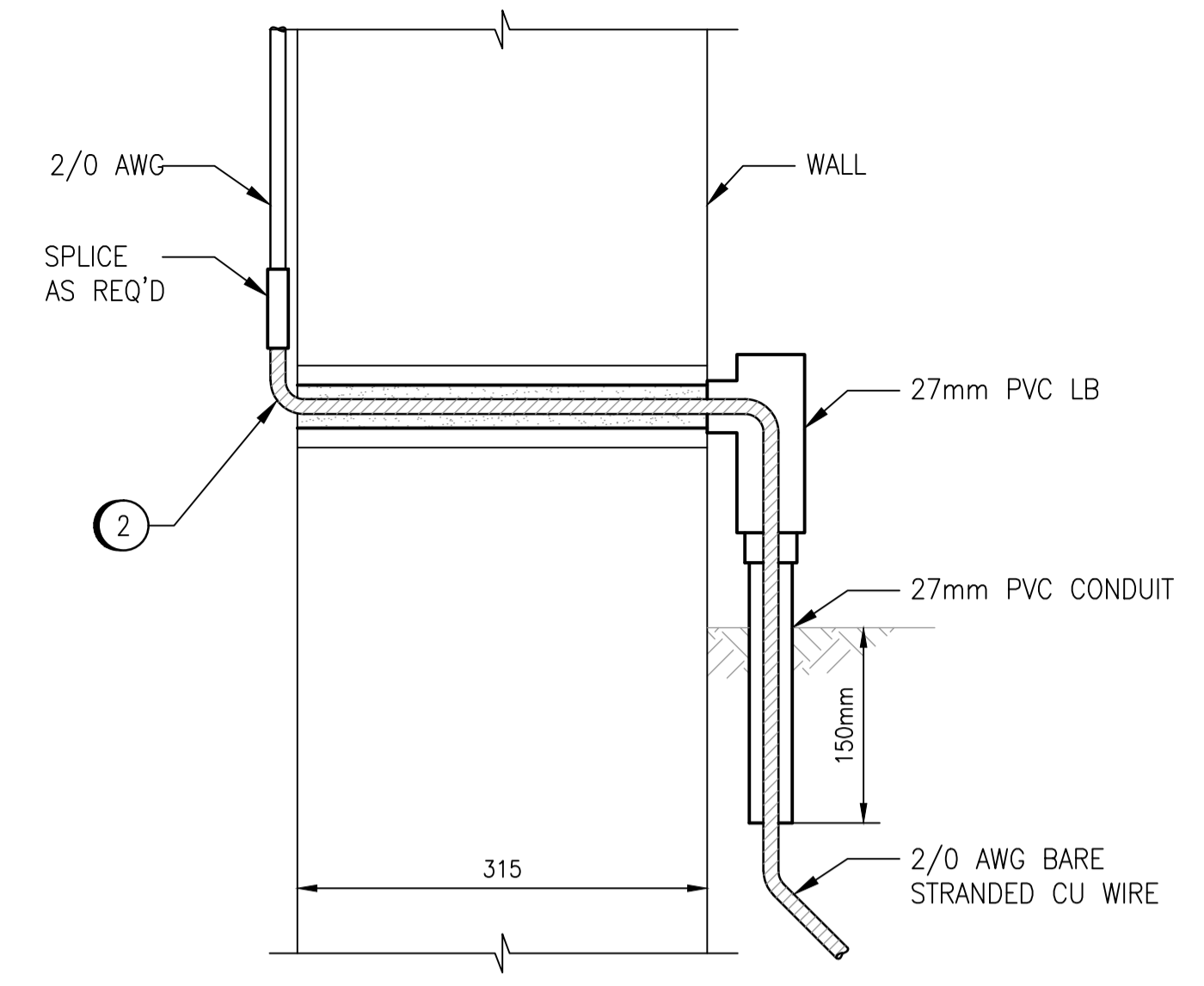


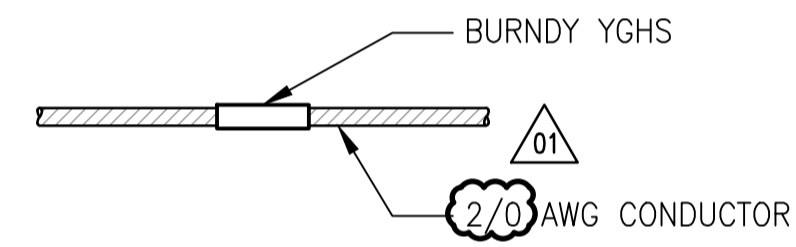
DETAIL: GROUNDING RISER DIAGRAM
SCALE: NTS



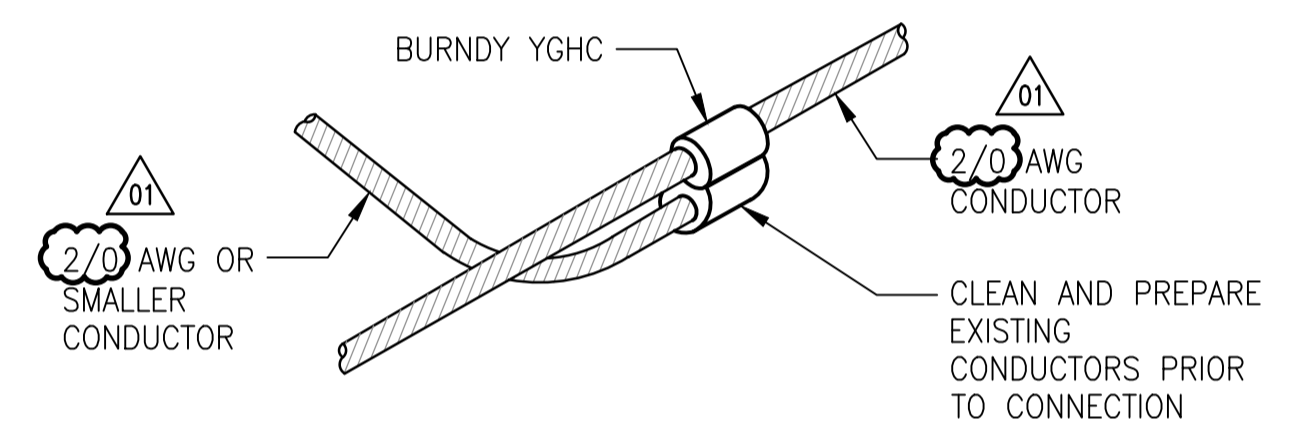
A GROUND ROD WITH GROUND WELL
NTS



B BUILDING ENTRY ABOVE GRADE
NTS



C GROUND CONDUCTOR SPLICE
NTS



D GROUND CONDUCTOR TEE
NTS



GENERAL NOTES:

- THE GROUNDING RISER DIAGRAM REPRESENTS THE MINIMUM GROUNDING AND BONDING REQUIREMENTS. PROVIDE ADDITIONAL GROUNDING AND BONDING AS REQUIRED TO MEET CEC REQUIREMENTS.

CONSTRUCTION NOTES:

- INSTALL GROUND ELECTRODE BOX COMPLETE WITH COVER ON ALL GROUND RODS. SEE DETAIL "A".
- CORE DRILL THROUGH WALL, INSTALL CABLE AND SEAL PENETRATION.



NO.	REVISIONS	DATE	DESIGN	CHECK
01	REMOVED GROUND BUS DETAIL	2015/09/22	BJC	-
00	ISSUED FOR TENDER	2015/09/17	BJC	-

 SNC-LAVALIN INC. 148 Nature Park Way Winnipeg, MB, Canada R3P 0X7 204-786-8080	
DESIGNED BY: B. CLEVEN	CHECKED BY:
DRAWN BY: C. BURZYNSKI	APPROVED BY:
SCALE: NTS	ISSUED FOR CONSTRUCTION BY:
DATE: 2015/06/11	DATE:
CONSULTANT NO.:	

ENGINEER'S SEAL
**PRELIMINARY
NOT TO BE
USED FOR
CONSTRUCTION**

THE CITY OF WINNIPEG
WATER AND WASTE DEPARTMENT

OLIVE WASTEWATER PUMPING STATION
2015 UPGRADES
GROUNDING INSTALLATION DETAILS

CITY DRAWING NUMBER 1-0169L-E0003	SHEET 001	REV. 01	SIZE A1
---	---------------------	-------------------	-------------------