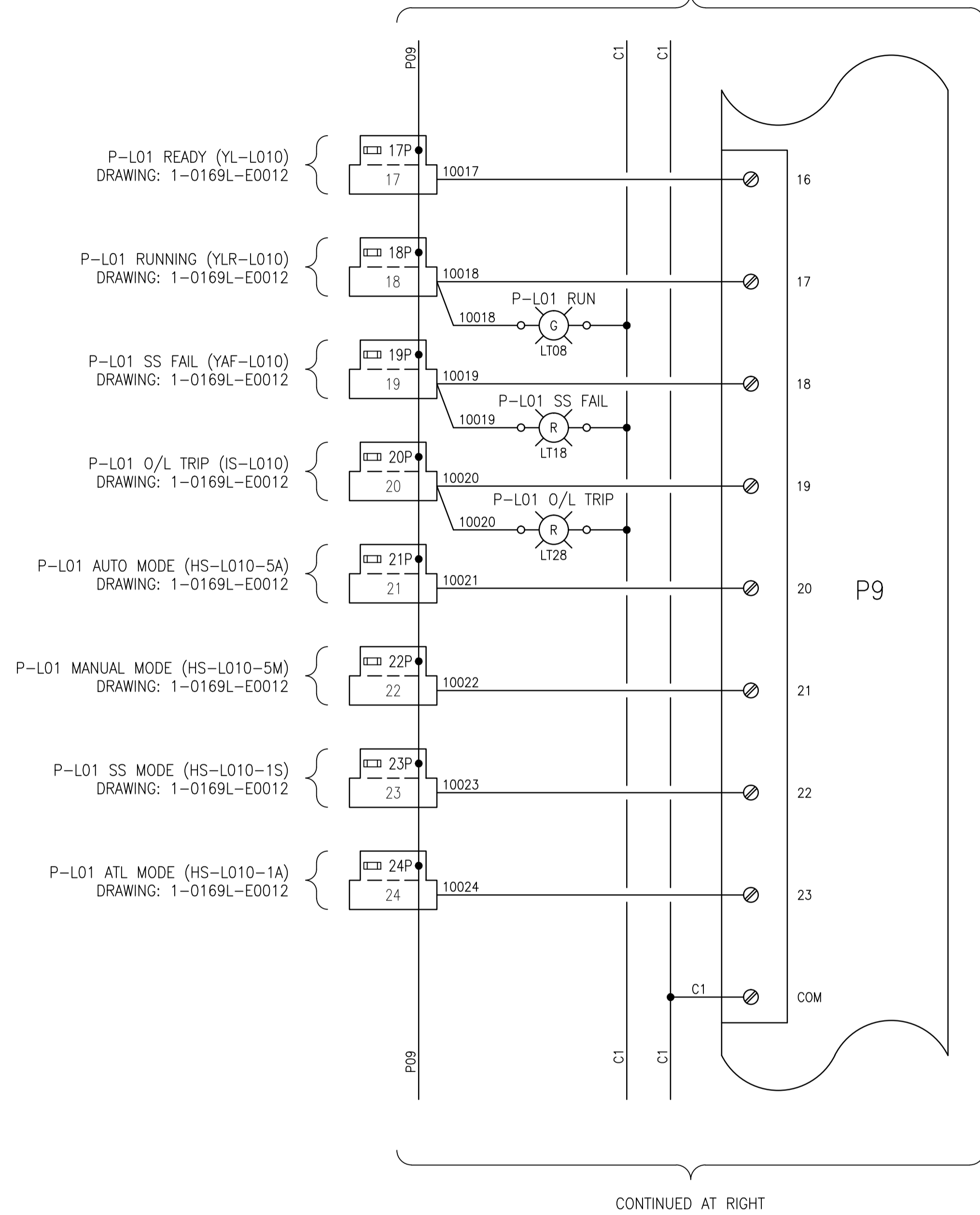


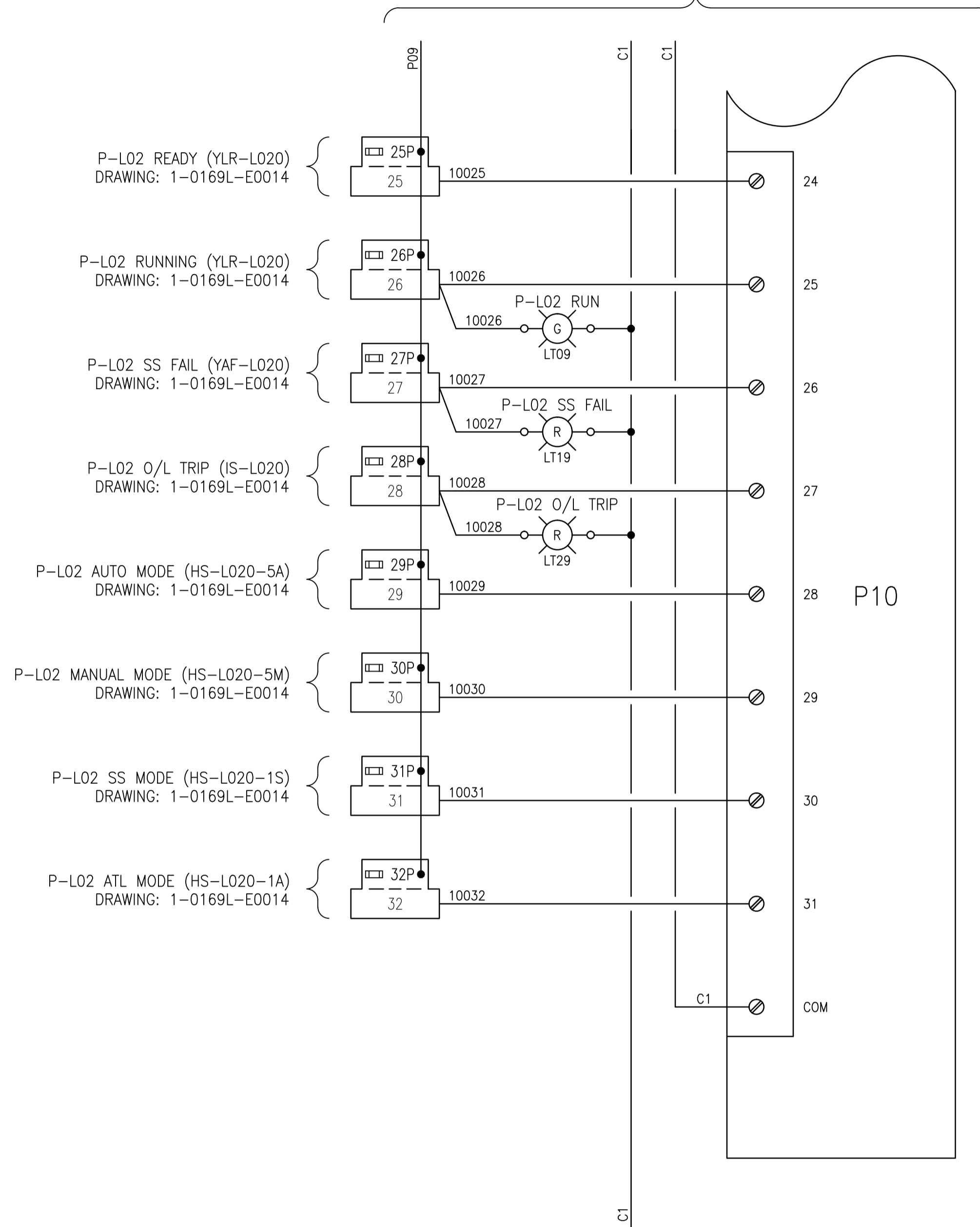
TB03
24VDC DISCRETE INPUT
10001-10072

CONTINUED FROM DRAWING 1-0169L-A0003-001



CONTINUED AT RIGHT

CONTINUED FROM LEFT



CONTINUED ON DRAWING
1-0169L-A0003-004

FUSE SCHEDULE			
TB	IDENTIFIER	SIZE	RATED CURRENT (A)
TB03	17P	5x20mm	0.2
	18P	5x20mm	0.2
	19P	5x20mm	0.2
	20P	5x20mm	0.2
	21P	5x20mm	0.2
	22P	5x20mm	0.2
	23P	5x20mm	0.2
	24P	5x20mm	0.2
	24P	5x20mm	0.2
	26P	5x20mm	0.2
	27P	5x20mm	0.2
	28P	5x20mm	0.2
	29P	5x20mm	0.2
	30P	5x20mm	0.2
	31P	5x20mm	0.2
	32P	5x20mm	0.2

LEGEND:

DOUBLE LEVEL FUSED TERMINAL

ANNUNCIATOR PANEL LIGHT

DRAWING NUMBER	REFERENCE DRAWINGS
----------------	--------------------



00	ISSUED FOR TENDER	2015/09/17	BJC	-
NO.	REVISIONS	DATE	DESIGN	CHECK

SNC-LAVALIN INC.
148 Nature Park Way
Winnipeg, MB, Canada R3P 0X7
204-786-8080

DESIGNED BY: B. CLEVEN
DRAWN BY: C. BURZYNSKI
SCALE: NTS
DATE: 2015/08/06

CHECKED BY:
APPROVED BY:
ISSUED FOR CONSTRUCTION BY:
DATE:

CONSULTANT NO.:

ENGINEER'S SEAL

**PRELIMINARY
NOT TO BE
USED FOR
CONSTRUCTION**

THE CITY OF WINNIPEG
WATER AND WASTE DEPARTMENT

OLIVE WASTEWATER PUMPING STATION
2015 UPGRADES
RTU I/O WIRING DIAGRAM
CONTROL PANEL CP-LB1
DISCRETE INPUTS 10017-10032

CITY DRAWING NUMBER: 1-0169L-A0003
SHEET: 002
REV: 00
SIZE: A1