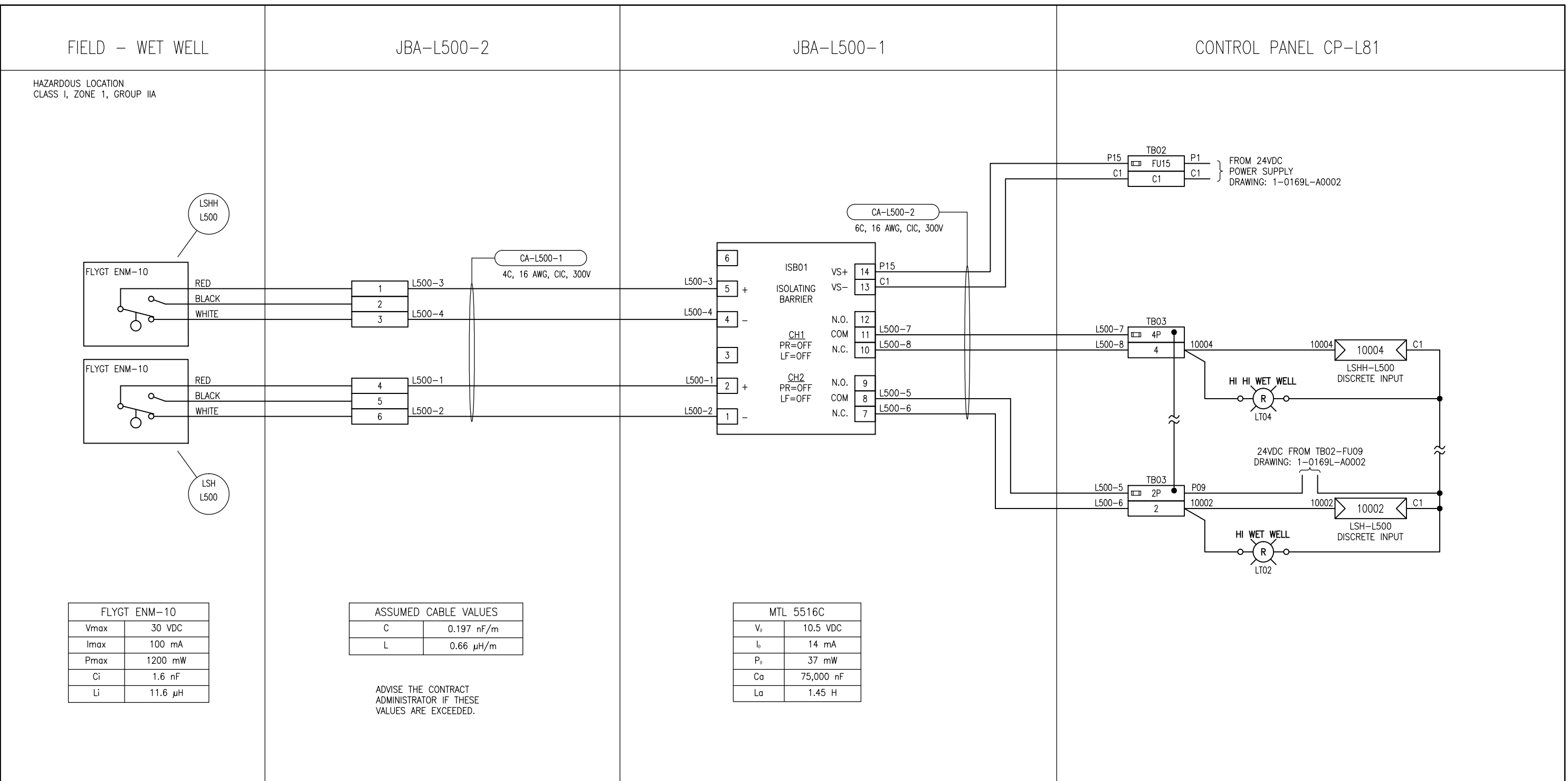


LAST SAVE: 2015/09/17 - 12:48pm
 PATH: M:\629179\4ENG\481&C\DD - General DWG\1-0169L-A0012-001-00.dwg
 B SIZE - 279mm x 432mm



FLYGT ENM-10	
V _{max}	30 VDC
I _{max}	100 mA
P _{max}	1200 mW
C _i	1.6 nF
L _i	11.6 μH

ASSUMED CABLE VALUES	
C	0.197 nF/m
L	0.66 μH/m

ADVISE THE CONTRACT ADMINISTRATOR IF THESE VALUES ARE EXCEEDED.

MTL 5516C	
V _o	10.5 VDC
I _o	14 mA
P _o	37 mW
C _a	75,000 nF
L _a	1.45 H



SNC-LAVALIN INC.
 148 Nature Park Way
 Winnipeg, MB, Canada R3P 0X7
 204-786-8080

ENGINEER'S SEAL

**PRELIMINARY
 NOT TO BE
 USED FOR
 CONSTRUCTION**



THE CITY OF WINNIPEG
 WATER AND WASTE DEPARTMENT

OLIVE WASTEWATER PUMPING STATION
 2015 UPGRADES
 LOOP DIAGRAM
 WET WELL HIGH LEVEL SWITCHES
 LSH-L500, LSHH-L500

NO.	REVISIONS	DATE	DESIGN	CHECK
00	ISSUED FOR TENDER	2015/09/17	BJC	-

DESIGNED BY: B. CLEVEN	CHECKED BY:
DRAWN BY: C. BURZYNSKI	APPROVED BY:
SCALE: NTS	DATE: 2015/08/06
ISSUED FOR CONSTRUCTION DATE:	
CONSULTANT NO.:	

CITY DRAWING NUMBER 1-0169L-A0012	SHEET 001	REV. 00	SIZE B
--------------------------------------	--------------	------------	-----------