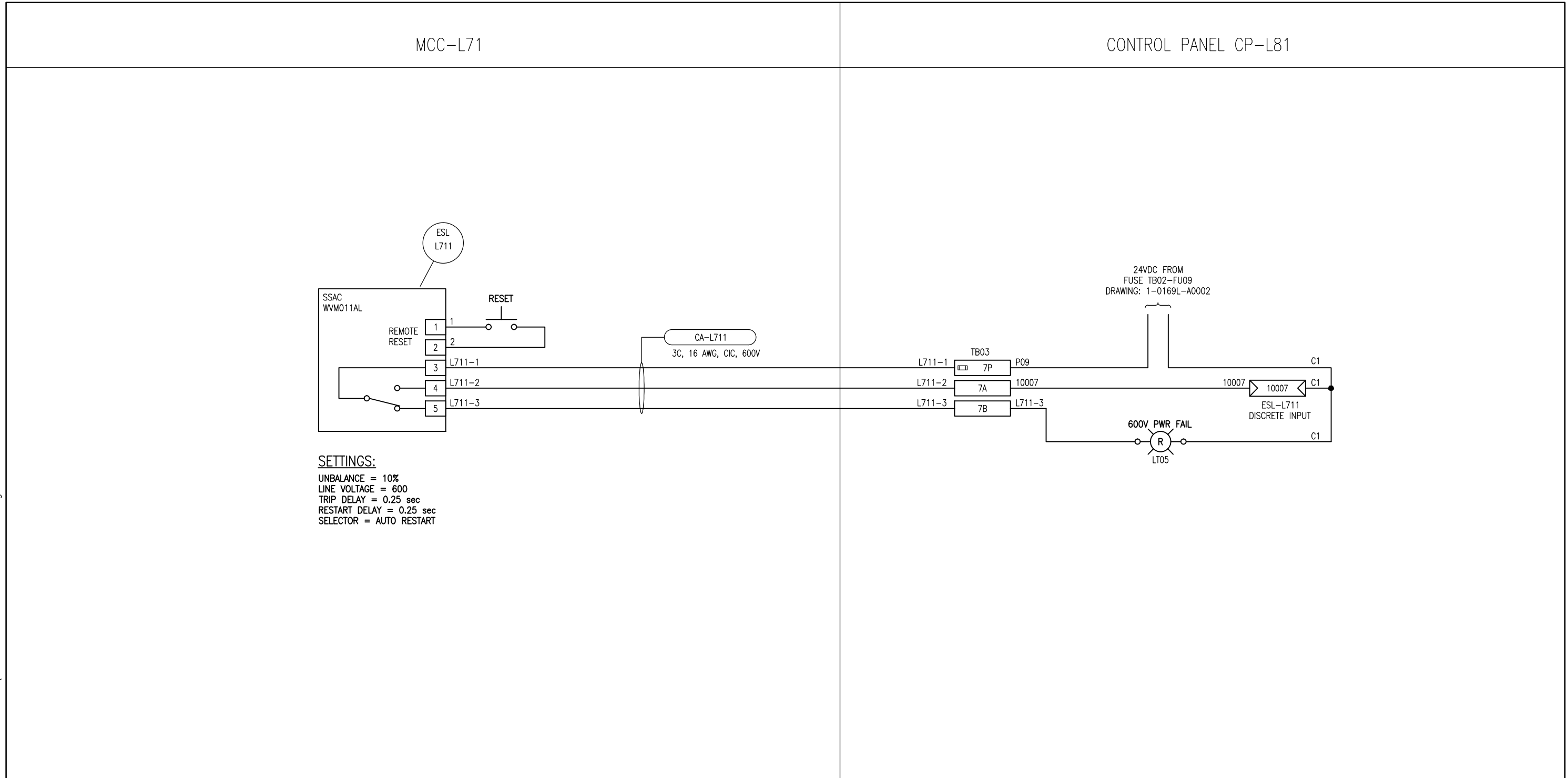


B SIZE - 279mm x 432mm

LAST SAVE: 2015/09/17 - 12:59pm
 PATH: M:\629179\4ENG\48&C\DD - General DWG\1-0169L-A0019-001-00.dwg



SETTINGS:
 UNBALANCE = 10%
 LINE VOLTAGE = 600
 TRIP DELAY = 0.25 sec
 RESTART DELAY = 0.25 sec
 SELECTOR = AUTO RESTART



SNC-LAVALIN INC.
 148 Nature Park Way
 Winnipeg, MB, Canada R3P 0X7
 204-786-8080

ENGINEER'S SEAL

**PRELIMINARY
 NOT TO BE
 USED FOR
 CONSTRUCTION**



THE CITY OF WINNIPEG
 WATER AND WASTE DEPARTMENT

OLIVE WASTEWATER PUMPING STATION
 2015 UPGRADES
 LOOP DIAGRAM
 600 VOLT POWER STATUS
 ESL-L711

NO.	REVISIONS	DATE	DESIGN	CHECK
00	ISSUED FOR TENDER	2015/09/17	BJC	-

DESIGNED BY: B. CLEVEN	CHECKED BY:
DRAWN BY: C. BURZYNSKI	APPROVED BY:
SCALE: NTS	DATE: 2015/08/06
ISSUED FOR CONSTRUCTION BY:	DATE:
CONSULTANT NO.:	

CITY DRAWING NUMBER 1-0169L-A0019	SHEET 001	REV. 00	SIZE B
--------------------------------------	--------------	------------	-----------