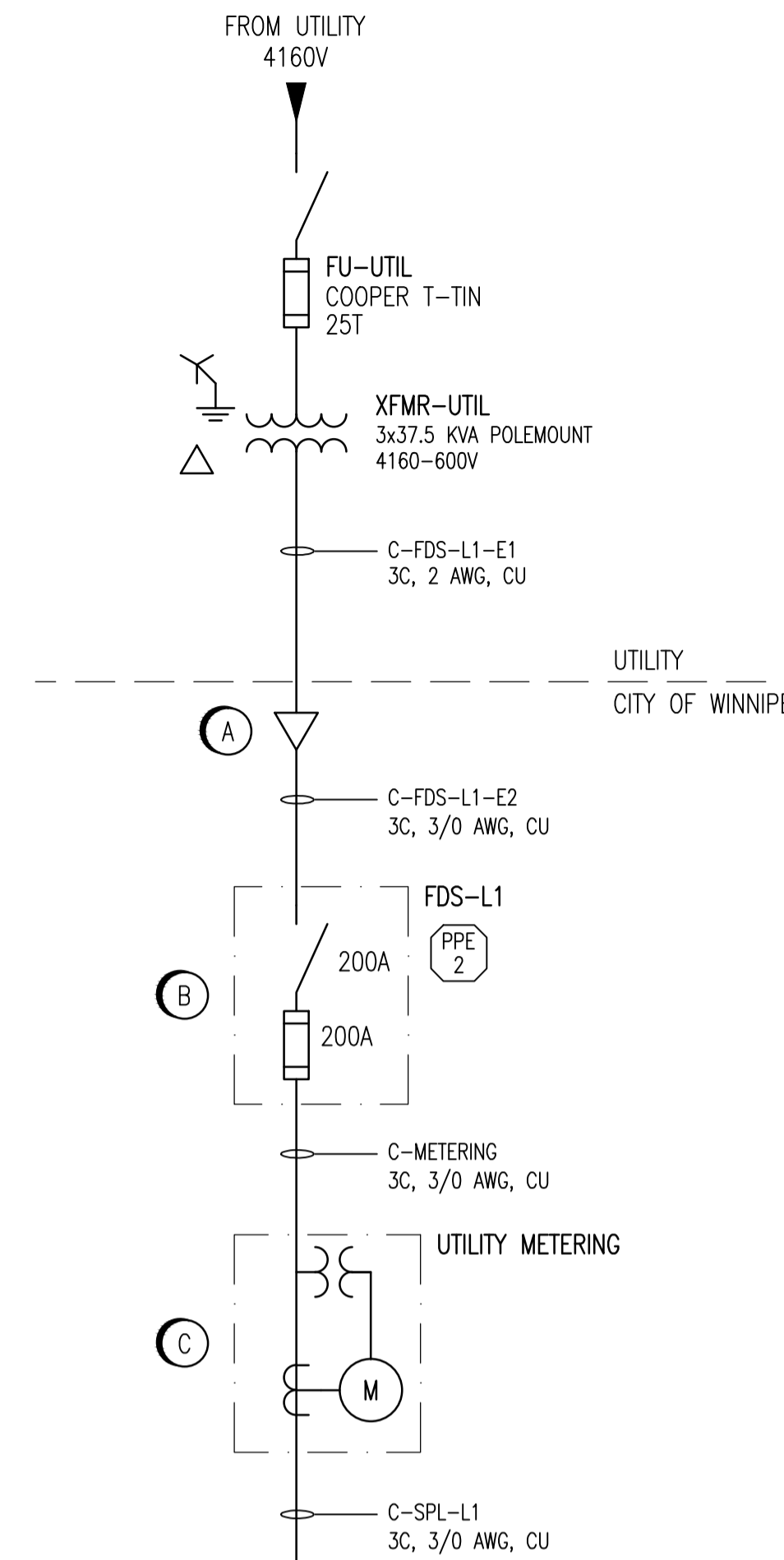


PRE-DEMOLITION NOTES:

- 1 PRIOR TO DEMOLISHING THE EXISTING SERVICE ENTRANCE AND DISTRIBUTION EQUIPMENT, PROVIDE AND INSTALL A NEW SERVICE ENTRANCE WEATHERHEAD, MAST, METER SOCKET, AND REQUIRED ACCESSORIES ON THE PUMPING STATION BUILDING EXTERIOR AT THE LOCATION SHOWN ON DRAWING 1-0169L-E0006.
- 2 PROVIDE AND INSTALL TEMPORARY ELECTRICAL EQUIPMENT AT THE STATION TO FACILITATE THE WORK, INCLUDING BUT NOT LIMITED TO A 600V MAIN BREAKER, 600V PANELBOARD, 600:120/240V TRANSFORMER, 120/240V PANELBOARD, LIGHTING AND RECEPTACLES.
- 3 PROVIDE AND INSTALL A SERVICE ENTRANCE WEATHERHEAD, MAST, METER SOCKET AND MAIN BREAKER NEAR THE GATE CHAMBER TO FACILITATE POWERING THE TEMPORARY PUMPS AT THE GATE CHAMBER. INSTALL A TEMPORARY POLE OR OTHER MEANS TO MOUNT THE METER SOCKET AND BREAKER.
- 4 PROVIDE AND INSTALL 600V CABLING TO THE TEMPORARY PUMPS FROM THEIR RESPECTIVE POWER SOURCES.
- 5 PROVIDE AND CONNECT A TEMPORARY GENERATOR TO POWER THE PUMPING STATION WHILE THE SERVICE IS REPLACED. PROVIDE 24 HOURS PRIOR NOTICE TO THE CONTRACT ADMINISTRATOR TO ARRANGE FOR CITY PRESENCE DURING THIS ACTIVITY.
- 6 ARRANGE FOR MANITOBA HYDRO TO PERFORM AN ELECTRICAL SERVICE UPGRADE, WHICH CONSISTS OF THE REPLACEMENT OF THE SERVICE TRANSFORMERS AND ASSOCIATED FUSING, AND PROVIDING 600V TEMPORARY SERVICES TO THE TEMPORARY ELECTRICAL EQUIPMENT AND THE BYPASS PUMPS.
- 7 POWER UP, TEST, AND COMMISSION THE TEMPORARY BYPASS PUMPING SYSTEM.
- 8 ONCE THE TEMPORARY BYPASS PUMPS ARE IN OPERATION, PROVIDE DEMOLITION OF THE EXISTING ELECTRICAL DISTRIBUTION AND EQUIPMENT PER THE DEMOLITION NOTES INDICATED ON THIS DRAWING.

DEMOLITION NOTES:

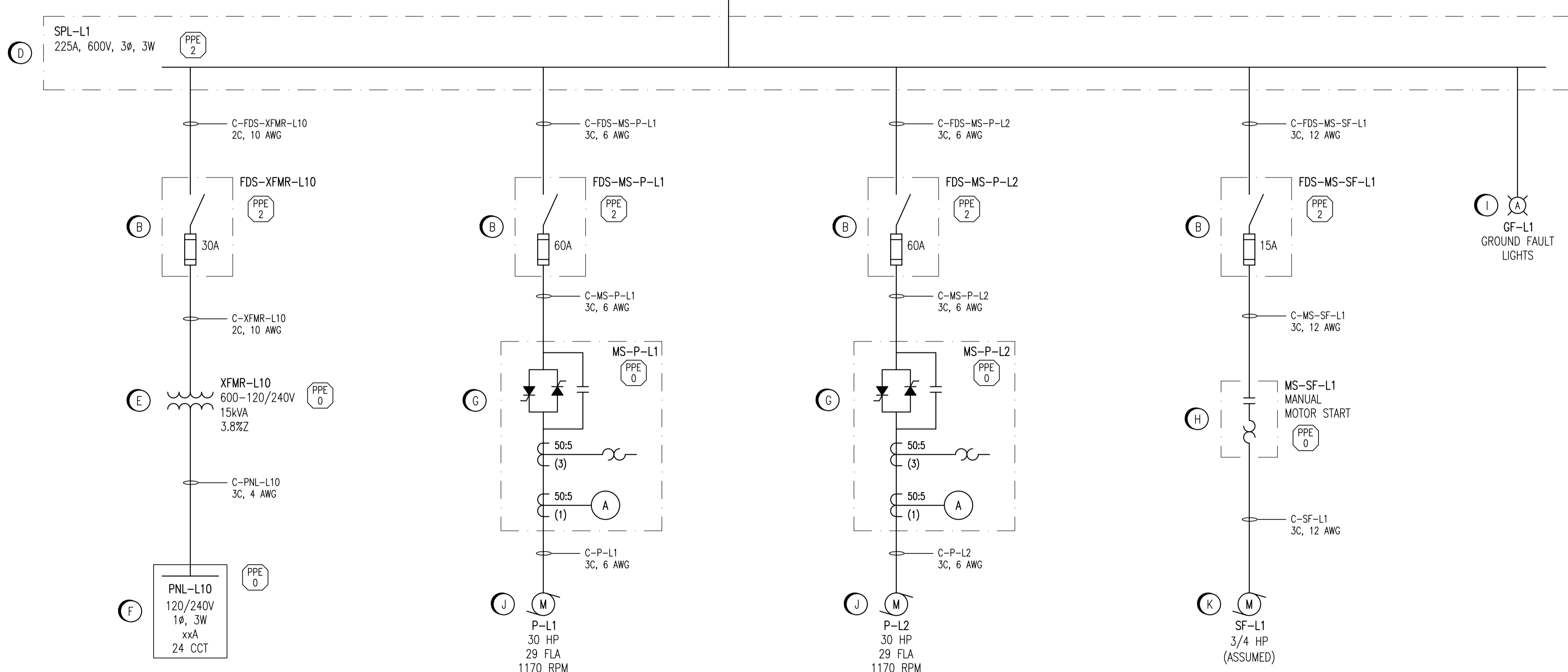
- A DEMOLISH EXISTING MAST AND ASSOCIATED CABLING AND CONDUIT.
- B DEMOLISH EXISTING FUSIBLE DISCONNECT SWITCH AND ASSOCIATED CONDUIT AND CABLING. TURN OVER THE DISCONNECT SWITCH TO THE CITY OF WINNIPEG.
- C DEMOLISH EXISTING UTILITY METERING SOCKET. TURN OVER THE METER TO CITY OF WINNIPEG.
- D DEMOLISH EXISTING SPLITTER AND ASSOCIATED CONDUIT AND CABLING. TURN OVER SPLITTER TO THE CITY OF WINNIPEG.
- E DEMOLISH EXISTING 600-120/240V TRANSFORMER AND ASSOCIATED CONDUIT AND CABLING. TURN OVER THE TRANSFORMER TO THE CITY OF WINNIPEG.
- F DEMOLISH EXISTING 120V/240V PANELBOARD AND ASSOCIATED CONDUIT AND CABLING. TURN OVER THE PANELBOARD TO THE CITY OF WINNIPEG.
- G DEMOLISH EXISTING SOFT STARTER AND ASSOCIATED CONDUIT AND CABLING. TURN OVER THE SOFT STARTER TO THE CITY OF WINNIPEG.
- H DEMOLISH EXISTING MANUAL MOTOR STARTER AND ASSOCIATED CONDUIT AND CABLING.
- I DEMOLISH EXISTING GROUND FAULT INDICATION LIGHTS AND ASSOCIATED CONDUIT AND CABLING.
- J DEMOLISH EXISTING 30 HP LIFT PUMP MOTORS AND ASSOCIATED CABLING. TURN OVER MOTOR TO THE CITY OF WINNIPEG.
- K DEMOLISH EXISTING CONTROLS AND CABLING ASSOCIATED WITH THE SUPPLY FAN.



LEGEND:

PPE 4 HAZARD/RISK CATEGORY

ARC FLASH VALUES CALCULATED ARE BASED ON THE PROTECTION SETTINGS SPECIFIED IN THIS DRAWING.



NOTES:

1. THIS DRAWING CONTAINS UNVERIFIED INFORMATION FROM EXISTING DOCUMENTATION.



DESIGNED BY:	EXISTING	CHECKED BY:	C. REIMER
DRAWN BY:	S. FUNK	APPROVED BY:	C. REIMER
SCALE:	NTS	ISSUED FOR CONSTRUCTION BY:	
DATE:	2011/02/01	DATE:	
CONSULTANT NO.:			

NO.	REVISIONS	DATE	DESIGN	CHECK
01	ISSUED FOR TENDER	2015/09/17	BJC	-
00	ISSUED FOR CITY USE	2012/01/31	TMC	CJR

ENGINEER'S SEAL
**PRELIMINARY
NOT TO BE
USED FOR
CONSTRUCTION**

THE CITY OF WINNIPEG
WATER AND WASTE DEPARTMENT

OLIVE WASTEWATER LIFT STATION
2015 UPGRADES
SINGLE LINE DIAGRAM
EXISTING

CITY DRAWING NUMBER: 1-0169L-E0001

SHEET: 001 REV: 01 SIZE: A1