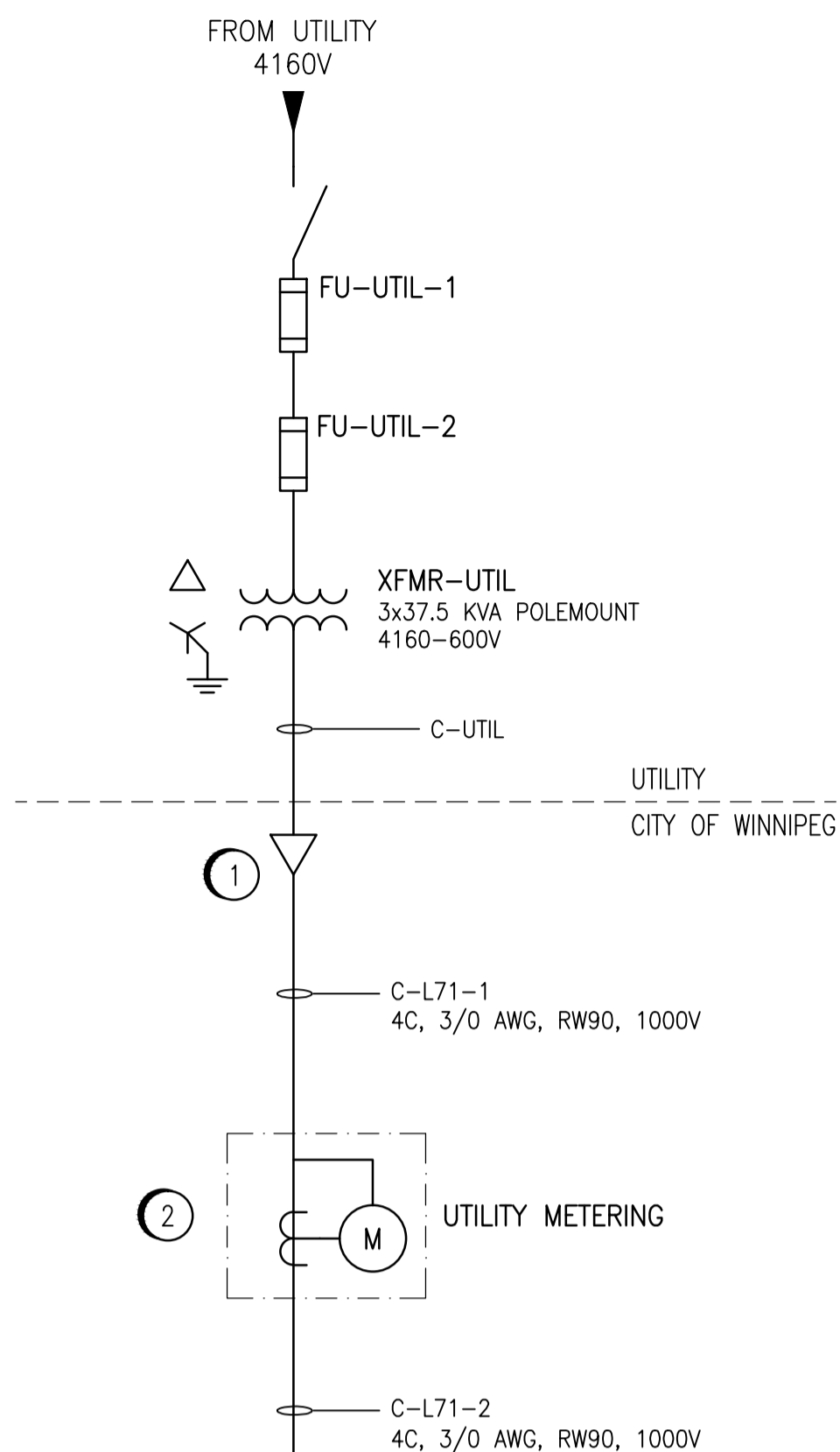


CIRCUIT BREAKER PROTECTION SETTINGS								
BREAKER	MODEL	FRAME	SENSOR	LTPU (lr)	LTD (tr)	STPU (lsd)	STD (tsd)	INST (lt)
MCC-L71.MCB		250 A	250 A	200 A				
CB-L01		150 A	100 A	100 A				
CB-L02		150 A	100 A	100 A				
CB-L03		150 A	100 A	100 A				

NOTE:
PROTECTION SETTINGS TO BE SUPPLIED BY THE CONTRACT ADMINISTRATOR ONCE THE UTILITY FUSE AND TRANSFORMERS RATINGS ARE KNOWN.



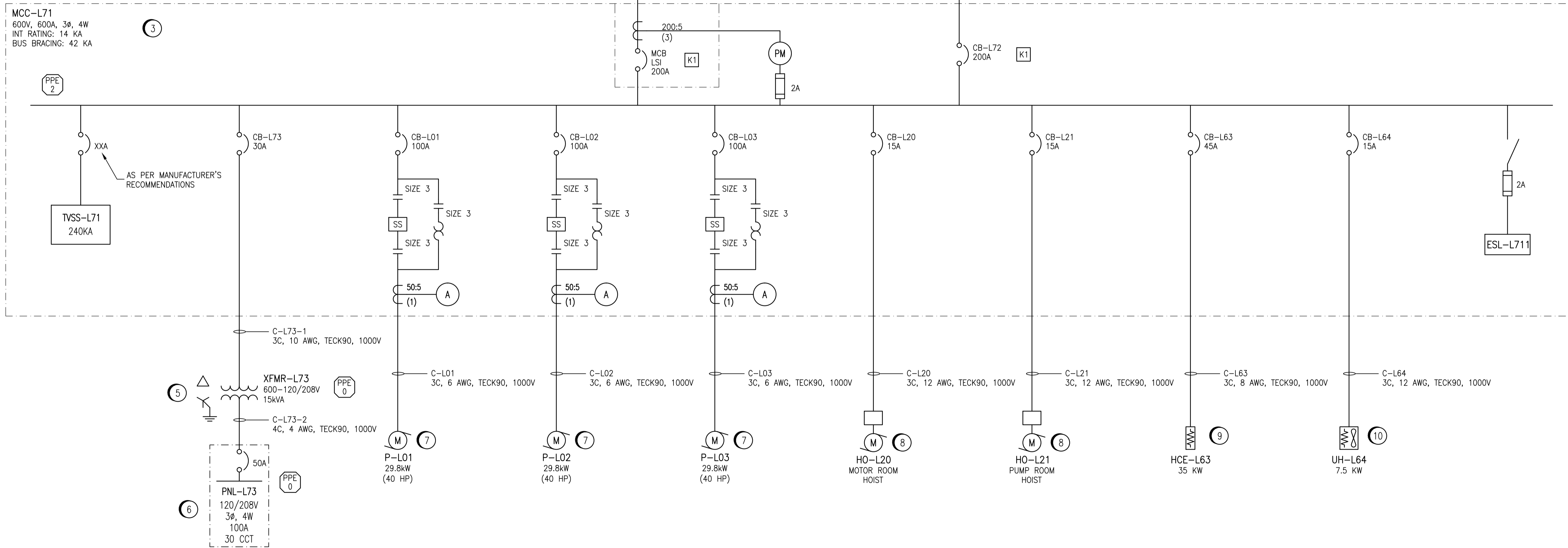
INSTALLATION NOTES:

- 1 INSTALL NEW SERVICE ENTRANCE HEAD AND MAST.
- 2 INSTALL NEW 200A UTILITY METERING SOCKET.
- 3 INSTALL NEW MOTOR CONTROL CENTRE.
- 4 INSTALL NEW TEMPORARY GENERATOR CONNECTION ENCLOSURE.
- 5 INSTALL NEW 600:120/208V TRANSFORMER.
- 6 INSTALL NEW 120/208V PANELBOARD.
- 7 INSTALL NEW 40HP LIFT PUMP MOTOR.
- 8 CONNECT TO NEW HOIST.
- 9 INSTALL NEW 35 kW DUCT HEATER.
- 10 INSTALL NEW 7.5 kW UNIT HEATER.

LEGEND:

- HAZARD/RISK CATEGORY
- KIRK KEY INTERLOCK

ARC FLASH VALUES CALCULATED ARE BASED ON THE PROTECTION SETTINGS SPECIFIED IN THIS DRAWING.



NOTES:

1. THE ARC FLASH ENERGY / CATEGORY FOR THE CASE WHERE THE STATION IS POWERED BY A STANDBY GENERATOR HAS NOT BEEN ASSESSED.
2. THE RISK / HAZARD ARC FLASH RATING OF THE TEMPORARY GENERATOR JUNCTION BOX JB-L72 IS ASSUMED TO BE CATEGORY 4 AS THE CONNECTED GENERATOR HAS NOT BEEN SPECIFIED.



NO.	REVISIONS	DATE	DESIGN	CHECK
00	ISSUED FOR TENDER	2015/09/17	BJC	-

		SNC-LAVALIN INC. 148 Nature Park Way Winnipeg, MB, Canada R3P 0X7 204-786-8080	
DESIGNED BY:	B. CLEVEN	CHECKED BY:	
DRAWN BY:	C. BURZYNSKI	APPROVED BY:	
SCALE:	NTS	ISSUED FOR CONSTRUCTION	
DATE:	2015/06/08	BY:	
CONSULTANT NO.:		DATE:	

ENGINEER'S SEAL
PRELIMINARY
NOT TO BE USED FOR CONSTRUCTION

THE CITY OF WINNIPEG
WATER AND WASTE DEPARTMENT

OLIVE WASTEWATER PUMPING STATION
2015 UPGRADES
SINGLE LINE DIAGRAM

CITY DRAWING NUMBER	SHEET	REV.	SIZE
1-0169L-E0002	001	00	A1