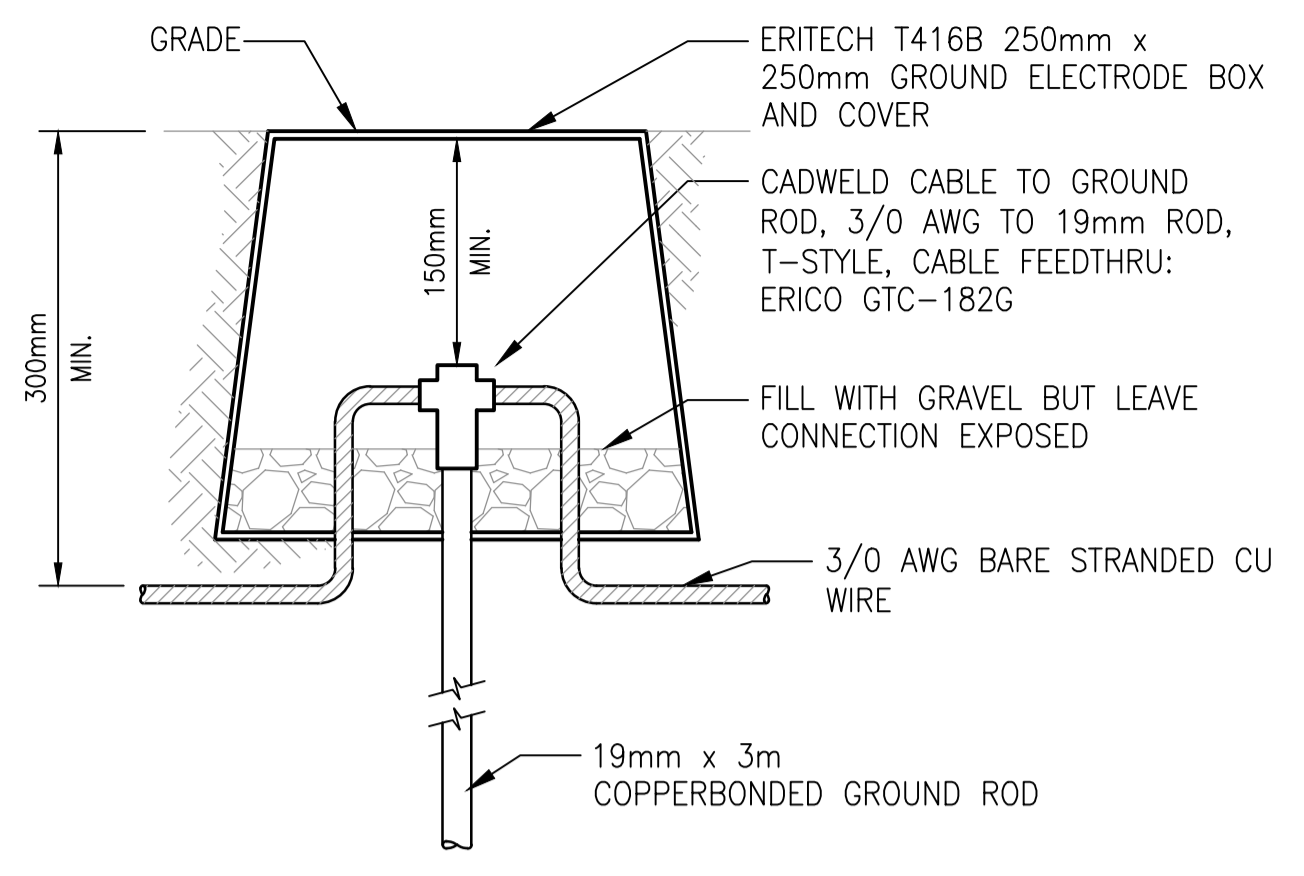
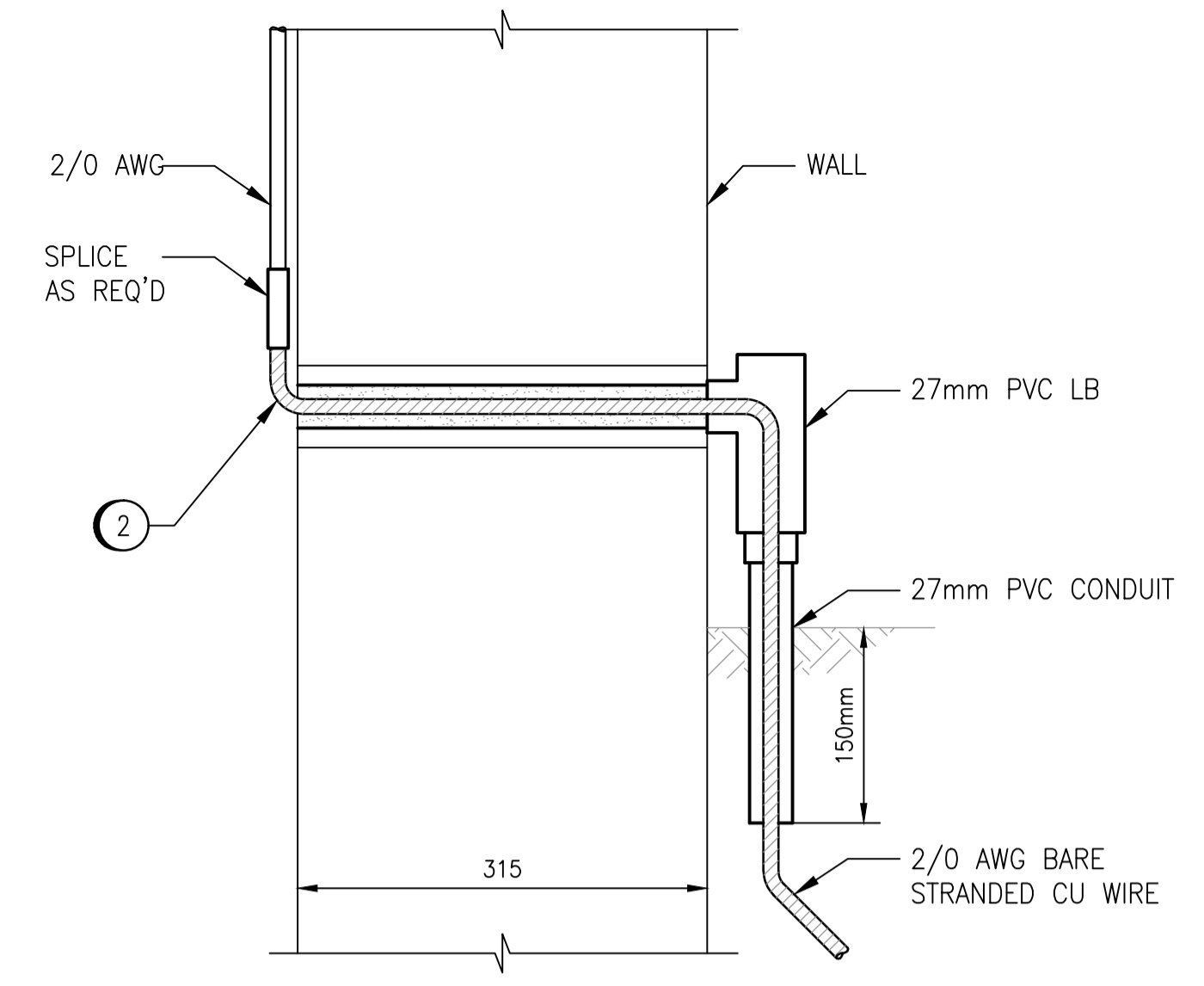


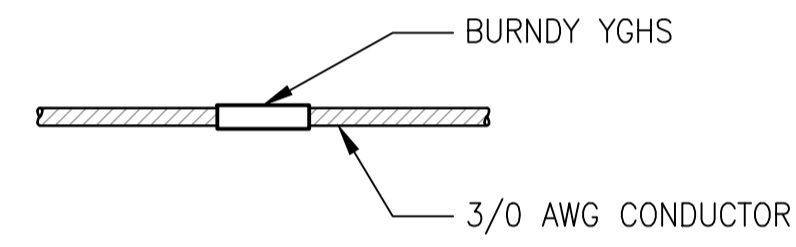
DETAIL: GROUNDING RISER DIAGRAM  
SCALE: NTS



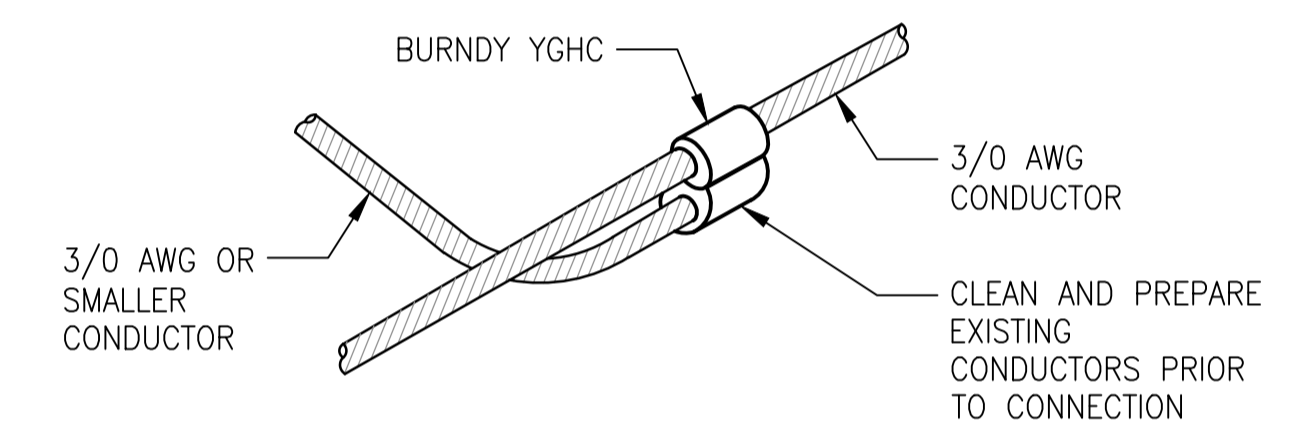
A GROUND ROD WITH GROUND WELL  
NTS



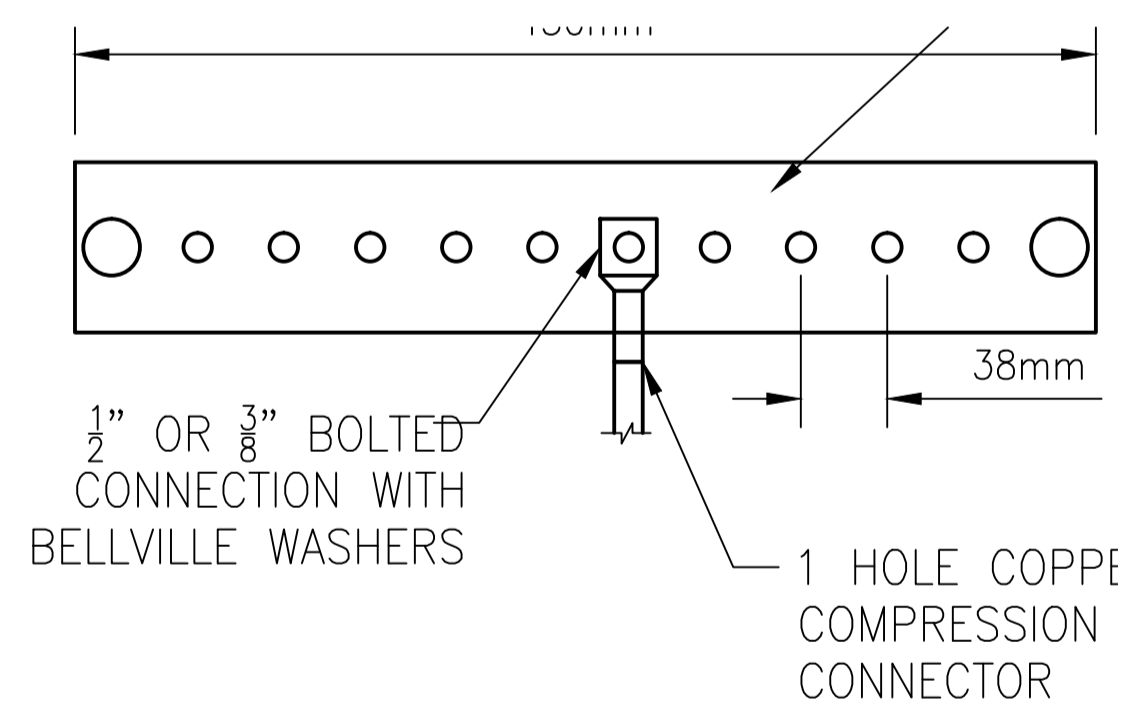
B BUILDING ENTRY ABOVE GRADE  
NTS



C GROUND CONDUCTOR SPLICE  
NTS



D GROUND CONDUCTOR TEE  
NTS



E GROUND BUS DETAIL  
NTS

GENERAL NOTES:

- THE GROUNDING RISER DIAGRAM REPRESENTS THE MINIMUM GROUNDING AND BONDING REQUIREMENTS. PROVIDE ADDITIONAL GROUNDING AND BONDING AS REQUIRED TO MEET CEC REQUIREMENTS.

CONSTRUCTION NOTES:

- INSTALL GROUND ELECTRODE BOX COMPLETE WITH COVER ON ALL GROUND RODS. SEE DETAIL "A".
- CORE DRILL THROUGH WALL, INSTALL CABLE AND SEAL PENETRATION.



		SNC-LAVALIN INC. 148 Nature Park Way Winnipeg, MB, Canada R3P 0X7 204-786-8080		ENGINEER'S SEAL
DESIGNED BY: B. CLEVEN	CHECKED BY:	PRELIMINARY NOT TO BE USED FOR CONSTRUCTION		THE CITY OF WINNIPEG WATER AND WASTE DEPARTMENT
DRAWN BY: C. BURZYNSKI	APPROVED BY:	SCALE: NTS	ISSUED FOR CONSTRUCTION	
DATE: 2015/06/11	DATE:	BY:		OLIVE WASTEWATER PUMPING STATION 2015 UPGRADES GROUNDING INSTALLATION DETAILS
CONSULTANT NO.:	DATE:	DATE:		
00 ISSUED FOR TENDER	2015/09/17	BJC	-	CITY DRAWING NUMBER 1-0169L-E0003
NO. REVISIONS	DATE	DESIGN	CHECK	SHEET REV. SIZE 001 00 A1