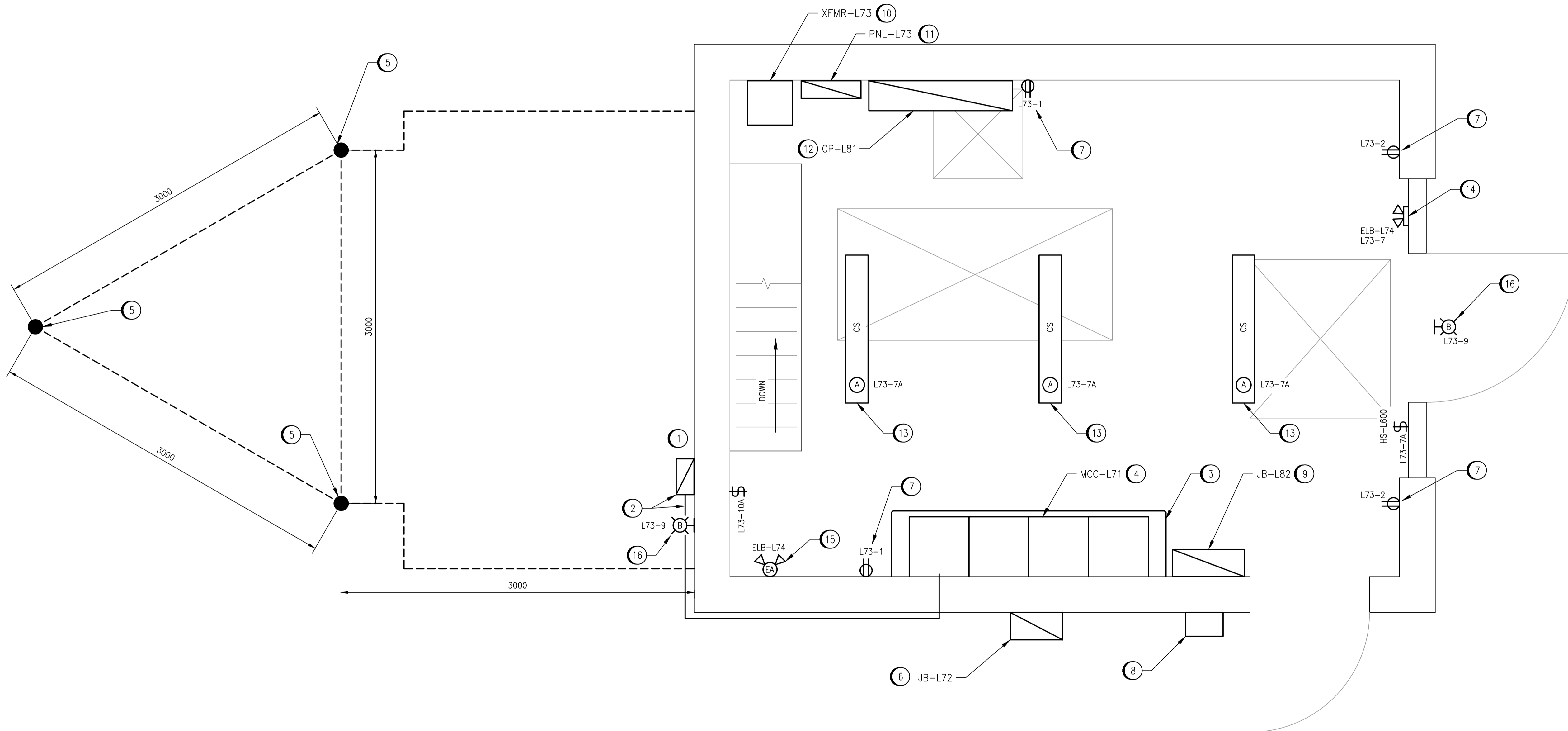


CONSTRUCTION NOTES:

- 1 PROVIDE AND INSTALL NEW SERVICE ENTRANCE HEAD, MAST, AND REQUIRED ACCESSORIES.
- 2 PROVIDE AND INSTALL NEW 200A UTILITY METERING SOCKET AND ASSOCIATED RIGID CONDUIT. ROUTE CONDUIT ON OUTSIDE OF BUILDING TO THE GREATEST EXTENT POSSIBLE BEFORE ENTERING BUILDING.
- 3 INSTALL HOUSEKEEPING PAD BENEATH THE MCC. PAD TO BE 89mm HIGH, EXTEND 150mm ON EACH SIDE, AND 50mm IN FRONT OF THE EQUIPMENT, WITH 19mm CHAMFERED EDGES. ROUGHEN SURFACE AND APPLY BONDING AGENT. PROVIDE 10M REINFORCEMENT AT 300mm SPACING. ANCHOR PAD TO THE FLOOR SLAB WITH 10M REBAR HOOKS AT 300mm SPACING, DOWELLED TO THE EXISTING CONCRETE WITH HILTI ADHESIVE.
- 4 PROVIDE AND INSTALL NEW MOTOR CONTROL CENTER, MCC-L71.
- 5 PROVIDE AND INSTALL GROUND RODS AS SHOWN. LOCATIONS INDICATED ARE APPROXIMATE. LOCATE ALL BURIED SERVICES INCLUDING CABLING, NATURAL GAS PIPING, AND WATER AND SEWER PIPING PRIOR TO INSTALLING GROUND RODS AND CABLING. INSTALL GROUND WELLS AT ALL GROUND ROD LOCATIONS. PROVIDE SUFFICIENT SLACK BETWEEN GROUND RODS AND BUILDING CONNECTIONS TO AVOID BREAKING STRESSES. PROVIDE FIELD MARK-UP DRAWINGS OF ELECTRODE LOCATIONS WITH DIMENSIONS TO ALLOW FOR FUTURE LOCATION.
- 6 PROVIDE AND INSTALL NEW TEMPORARY GENERATOR CONNECTION ENCLOSURE, JB-L72.
- 7 PROVIDE AND INSTALL NEW WEATHERPROOF RECEPTACLE.
- 8 RELOCATE PROTECTIVE COVER AND COMBINED SEWER OVERFLOW (CSO) CABLING TO LOCATION SHOWN. COIL EXCESS CABLING - DO NOT SHORTEN.
- 9 RELOCATE CSO TERMINATION PANEL, JBL-L82, AND ASSOCIATED INTRINSIC SAFETY PANELS TO LOCATION SHOWN. MOUNT INTRINSIC SAFETY PANELS BELOW JB-L82. RECONNECT FIELD CABLING TO INTRINSIC SAFETY PANELS AND TERMINATION PANEL.
- 10 PROVIDE AND INSTALL NEW 600:120/208V TRANSFORMER, XFMR-L73. INSTALL NON-COMBUSTIBLE INSULATING BOARD BEHIND THE TRANSFORMER, EXTENDING 300mm AROUND THE TRANSFORMER ON ALL SIDES, TO MEET CEC REQUIREMENTS.
- 11 PROVIDE AND INSTALL NEW 120/208V PANELBOARD, PNL-L73.
- 12 PROVIDE AND INSTALL NEW CONTROL PANEL, CP-L81.
- 13 INSTALL NEW 2X32W FLUORESCENT LUMINAIRE.
- 14 INSTALL NEW EMERGENCY LIGHTING BATTERY UNIT WITH THE BOTTOM OF ENCLOSURE NOT LESS THAN 2.0M ABOVE FINISHED FLOOR.
- 15 INSTALL NEW EMERGENCY LIGHTING REMOTE FIXTURE WITH THE BOTTOM OF THE ENCLOSURE NOT LESS THAN 2.0M ABOVE FINISHED FLOOR.
- 16 INSTALL NEW 70W HPS OUTDOOR LIGHT.

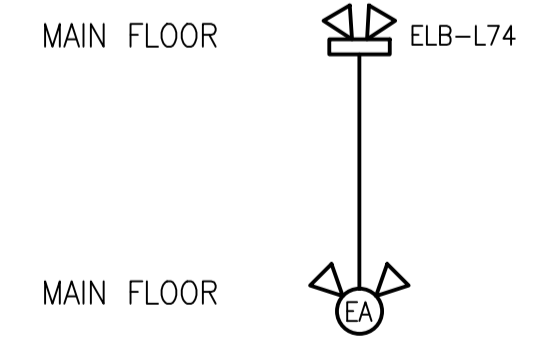


LEGEND:

- NEW WORK
- - - EXISTING
- - - HIDDEN/BURIED

MAIN FLOOR PLAN
SCALE: 1 : 20

DETAIL: EMERGENCY LIGHTING RISER DIAGRAM
SCALE: N.T.S.



LAST SAVE: 2015/09/17 - 1:25pm
PATH: M:\29179\MENG\47ELE\DD - General DWG\1-0169L-E0006-001-00.dwg

1-0169L-E0010	ELECTRICAL SCHEDULES
1-0169L-E0003	GROUNDING INSTALLATION DETAILS
DRAWING NUMBER	REFERENCE DRAWINGS



NO.	REVISIONS	DATE	DESIGN	CHECK
00	ISSUED FOR TENDER	2015/09/17	BJC	-

SNC-LAVALIN INC.
148 Nature Park Way
Winnipeg, MB, Canada R3P 0X7
204-786-8080

DESIGNED BY: B. CLEVEN
DRAWN BY: C. BURZYNSKI
SCALE: 1:20
DATE: 2015/06/16

CHECKED BY:
APPROVED BY:
ISSUED FOR CONSTRUCTION BY:
DATE:

CONSULTANT NO.:

ENGINEER'S SEAL

PRELIMINARY
NOT TO BE USED FOR CONSTRUCTION

THE CITY OF WINNIPEG
WATER AND WASTE DEPARTMENT

OLIVE WASTEWATER PUMPING STATION
2015 UPGRADES
ELECTRICAL AND LIGHTING PLAN LAYOUT
MAIN FLOOR
NEW WORK

CITY DRAWING NUMBER: 1-0169L-E0006
SHEET: 001
REV: 00
SIZE: A1