

DEMOLITION NOTES:

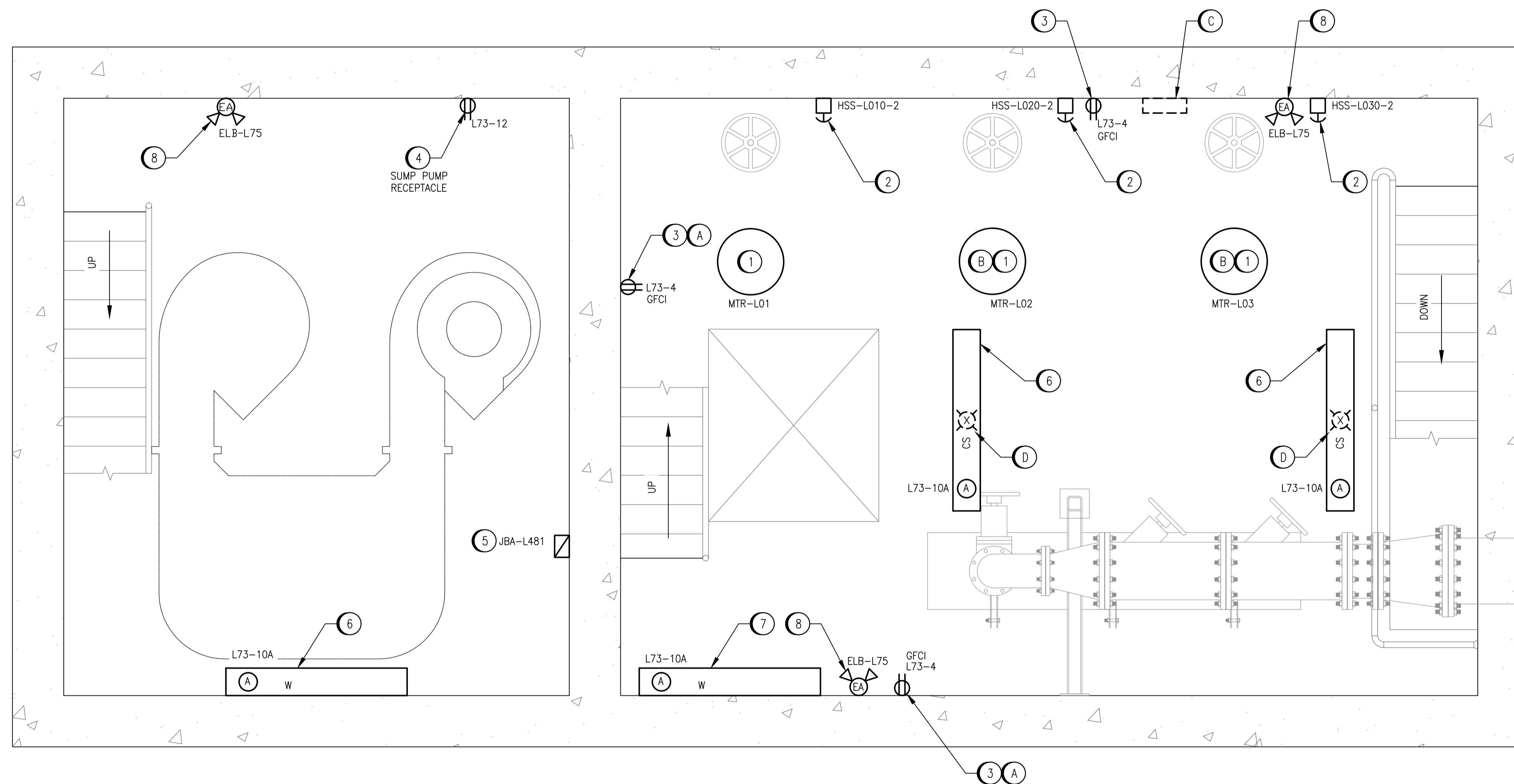
- (A) PROVIDE DEMOLITION OF EXISTING RECEPTACLES INCLUDING CABLING, CONDUIT, JUNCTION BOXES AND SUPPORTS. REMOVE CABLING AND CONDUIT BACK TO SOURCE PANEL.
- (B) PROVIDE DEMOLITION OF EXISTING 30 HP WASTEWATER LIFT PUMP MOTOR AND ASSOCIATED WIRING AND CONDUITS.
- (C) DEMOLISH EXISTING STOP SWITCHES AND ASSOCIATED WIRING AND CONDUITS.
- (D) PROVIDE DEMOLITION OF EXISTING LIGHTING FIXTURES, INCLUDING CABLING, CONDUIT, JUNCTION BOXES, SUPPORTS, AND CONTROLS.

CONSTRUCTION NOTES:

- (1) INSTALL NEW 40 HP WASTEWATER LIFT PUMP MOTOR.
- (2) INSTALL NEW EMERGENCY STOP SWITCHES. ENSURE CLEARANCE AROUND SUCTION VALVE HANDWHEELS.
- (3) INSTALL NEW WEATHERPROOF GFCI RECEPTACLES.
- (4) INSTALL NEW WEATHERPROOF SUMP PUMP RECEPTACLE. LOCATION SHOWN IS APPROXIMATE. CONTRACTOR TO FIELD DETERMINE OPTIMAL LOCATION.
- (5) INSTALL NEW JUNCTION BOX JBA-L481 AND FLOAT SWITCH LSH-L481. LOCATION SHOWN IS APPROXIMATE. CONTRACTOR TO FIELD DETERMINE OPTIMAL LOCATION.
- (6) INSTALL NEW 2X32W FLUORESCENT LUMINAIRE.
- (7) INSTALL NEW 2X32W FLUORESCENT LUMINAIRE. MOUNT ON WALL WITH THE BOTTOM OF THE FIXTURE APPROXIMATELY 2.0M ABOVE THE FINISHED FLOOR.
- (8) INSTALL NEW EMERGENCY LIGHTING REMOTE FIXTURE WITH THE BOTTOM OF THE FIXTURE NOT LESS THAN 2.0M ABOVE THE FINISHED FLOOR.

LEGEND:

- DEMOLITION
- EXISTING
- NEW WORK



LOWER LEVEL 2 - MOTOR AND COMMUNOTOR ROOM PLAN
SCALE: 1 : 20



| NO. | REVISIONS | DATE | DESIGN | CHECK |
|-----|-------------------|------------|--------|-------|
| 00 | ISSUED FOR TENDER | 2015/09/17 | BJC | - |

| | | | |
|---------------------------|-------------------------|---|-------|
| | | SNC-LAVALIN INC. 148 Nature Park Way Winnipeg, MB, Canada R3P 0X7 204-786-8080 | |
| DESIGNED BY: B. CLEVEN | CHECKED BY: | APPROVED BY: | DATE: |
| DRAWN BY: C. BURZYNSKI | ISSUED FOR CONSTRUCTION | BY: | DATE: |
| SCALE: 1:20 | DATE: 2015/06/22 | DATE: | |
| CONSULTANT NO.: | | | |

ENGINEER'S SEAL
**PRELIMINARY
NOT TO BE
USED FOR
CONSTRUCTION**

| | | | |
|---|--------------|------------|------------|
| THE CITY OF WINNIPEG WATER AND WASTE DEPARTMENT | | | |
| OLIVE WASTEWATER PUMPING STATION 2015 UPGRADES ELECTRICAL AND LIGHTING PLAN LAYOUT LOWER LEVEL 2 - MOTOR AND COMMUNOTOR ROOM | | | |
| CITY DRAWING NUMBER 1-0169L-E0008 | SHEET 001 | REV. 00 | SIZE A1 |