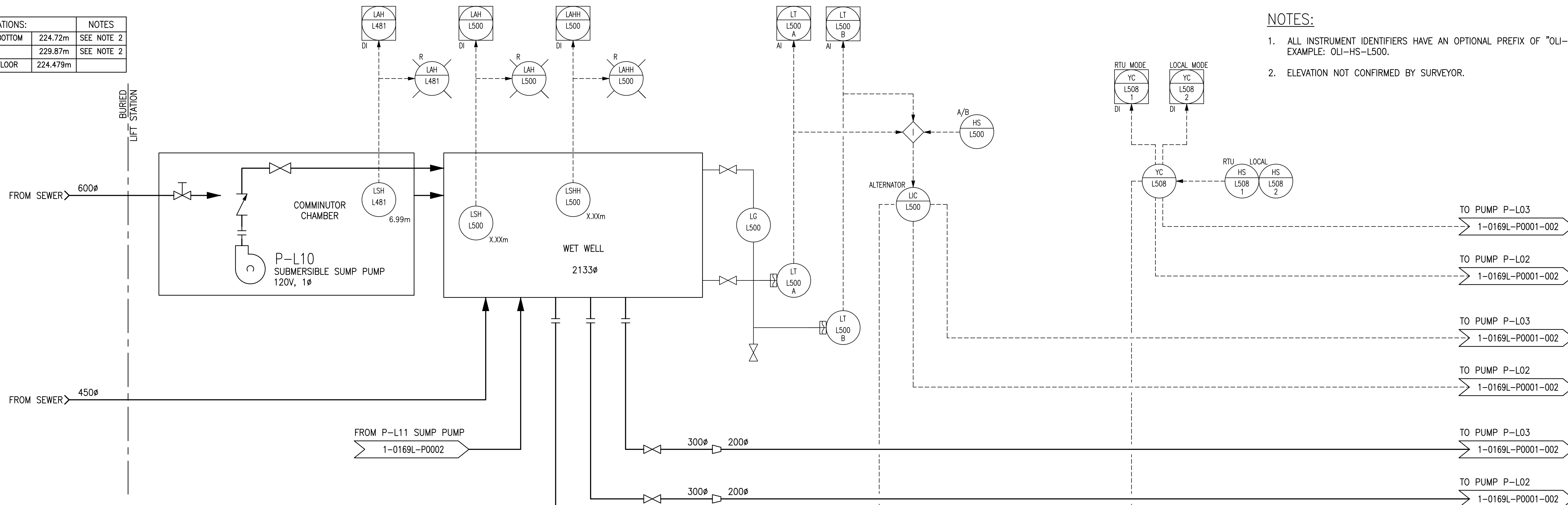


KEY ELEVATIONS:		NOTES
WET WELL BOTTOM	224.72m	SEE NOTE 2
FORCEMAIN	229.87m	SEE NOTE 2
DRY WELL FLOOR	224.479m	

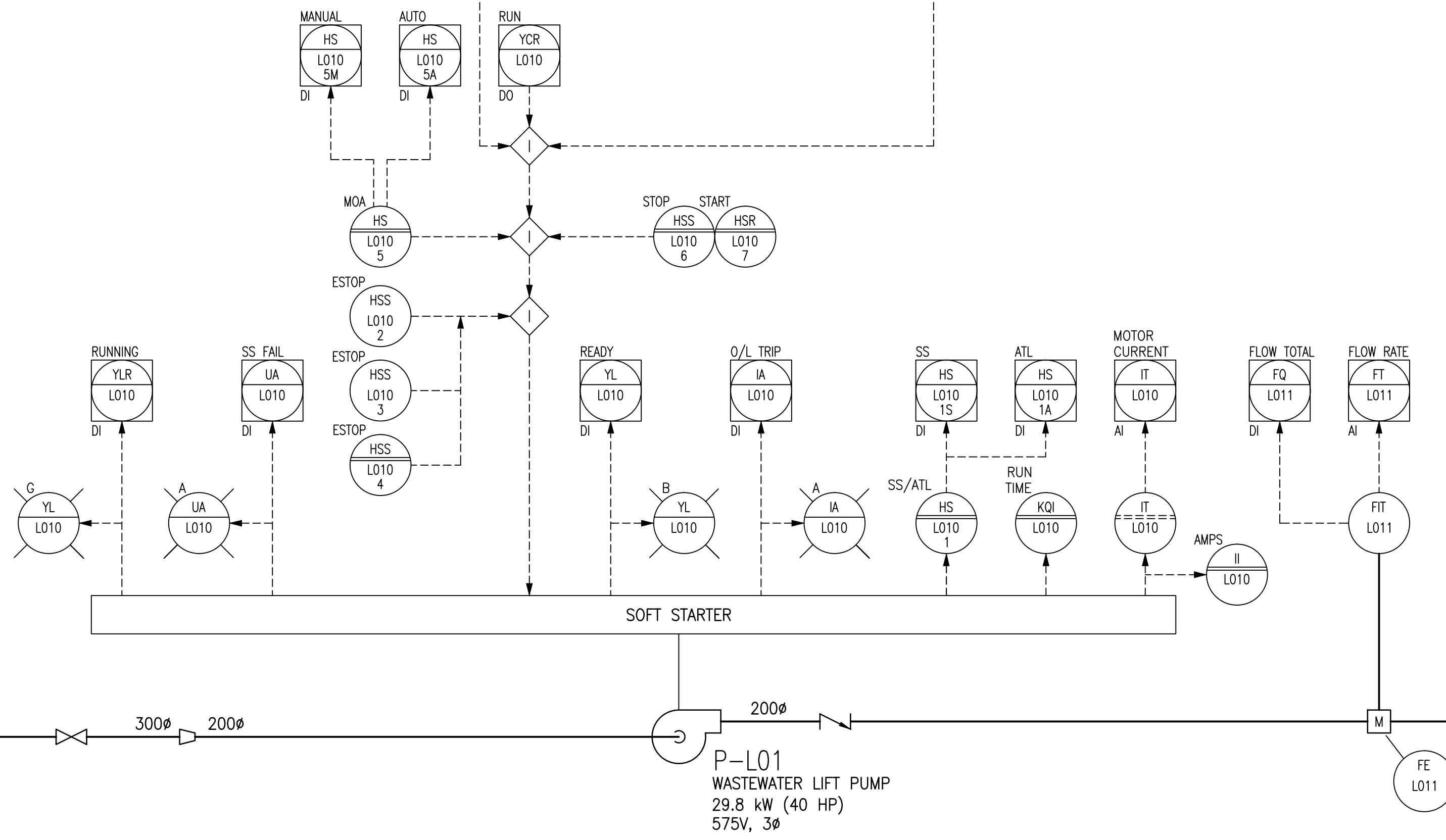
NOTES:

1. ALL INSTRUMENT IDENTIFIERS HAVE AN OPTIONAL PREFIX OF "OLI-".
EXAMPLE: OLI-HS-L500.
2. ELEVATION NOT CONFIRMED BY SURVEYOR.



PUMP CONTROL SETPOINTS		
PUMP	START	STOP
DUTY 1	1.4m (4.59 ft.)	0.41m (1.34 ft.)
DUTY 2	1.5m (4.92 ft.)	0.44m (1.44 ft.)
DUTY 3	1.6m (5.24 ft.)	0.47m (1.54 ft.)

- NOTES:**
1. CITY TO CONFIRM SETPOINTS.



LEGEND:	
DEVICE DESCRIPTORS:	FUNCTIONAL IDENTIFIERS:
A AMBER	FE FLOW SENSOR
AI ANALOG INPUT	FIT FLOW INDICATING TRANSMITTER
DI DISCRETE INPUT	HS HAND SWITCH
G GREEN	IA CURRENT ALARM
MOA MANUAL/OFF/AUTO	II CURRENT INDICATOR
R RED	KQI TOTAL RUN TIME
SS/ATL SOFT START/ACROSS THE LINE	LIC LEVEL INDICATING CONTROLLER
LIT LEVEL INDICATING TRANSMITTER	YLR RUNNING STATUS
LSH LEVEL SWITCH HIGH	
LT LEVEL TRANSMITTER	
UA SOFT START FAIL	
YL READY STATUS	
YCR RUN COMMAND	



		SNC-LAVALIN INC. 148 Nature Park Way Winnipeg, MB, Canada R3P 0X7 204-786-8080	
DESIGNED BY:	EXISTING	CHECKED BY:	T. CHURCH
DRAWN BY:	S. FUNK	APPROVED BY:	C. REIMER
SCALE:	NTS	ISSUED FOR CONSTRUCTION	BY:
DATE:	2011/02/14	DATE:	
CONSULTANT NO.:	123456-0000-40DD-0001		

ENGINEER'S SEAL

PRELIMINARY

NOT TO BE USED FOR CONSTRUCTION

THE CITY OF WINNIPEG
WATER AND WASTE DEPARTMENT

OLIVE WASTEWATER PUMPING STATION
2015 UPGRADES
PROCESS & INSTRUMENTATION DIAGRAM
WASTEWATER PUMPING

CITY DRAWING NUMBER	SHEET	REV.	SIZE
1-0169L-P0001	001	01	A1