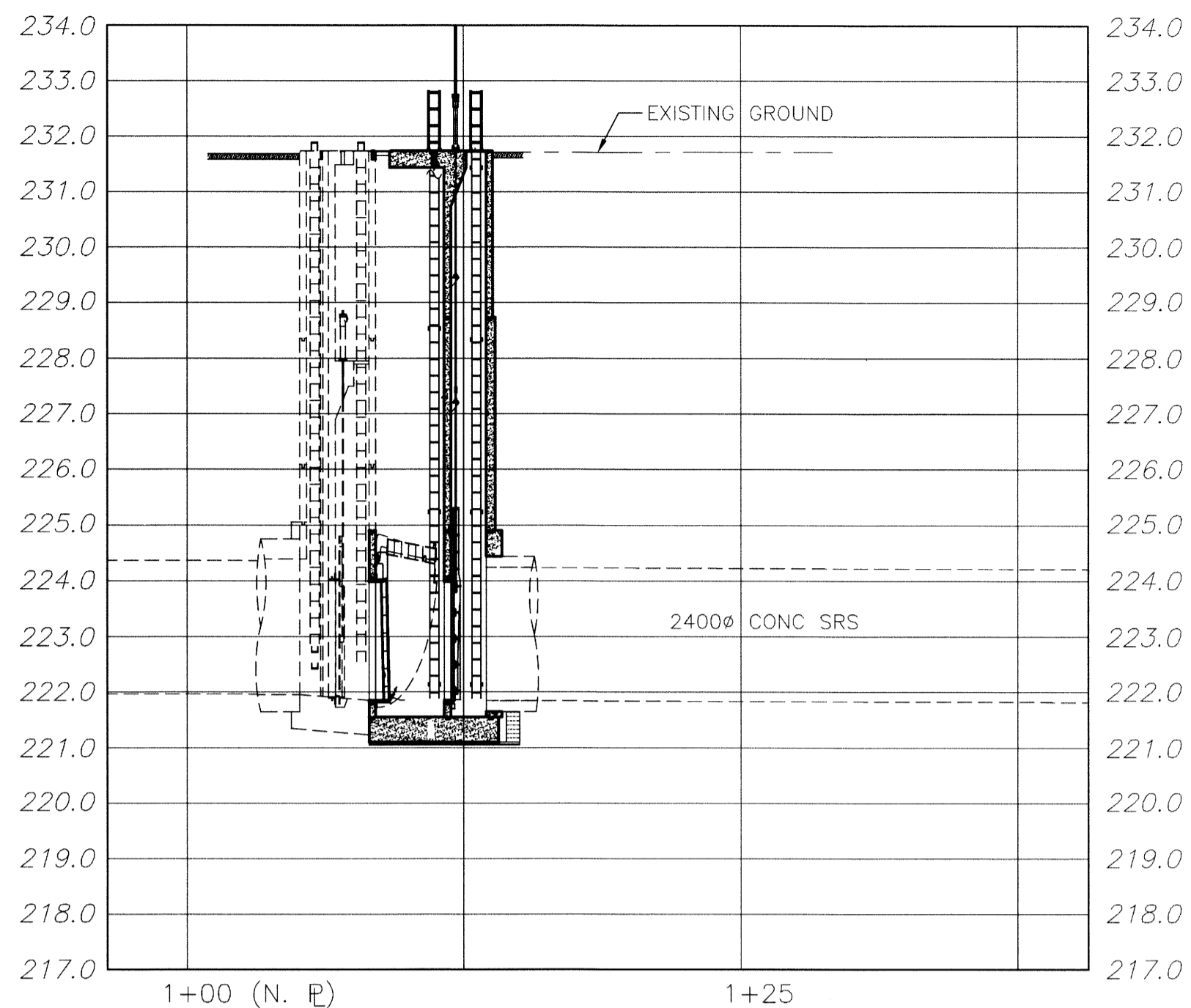
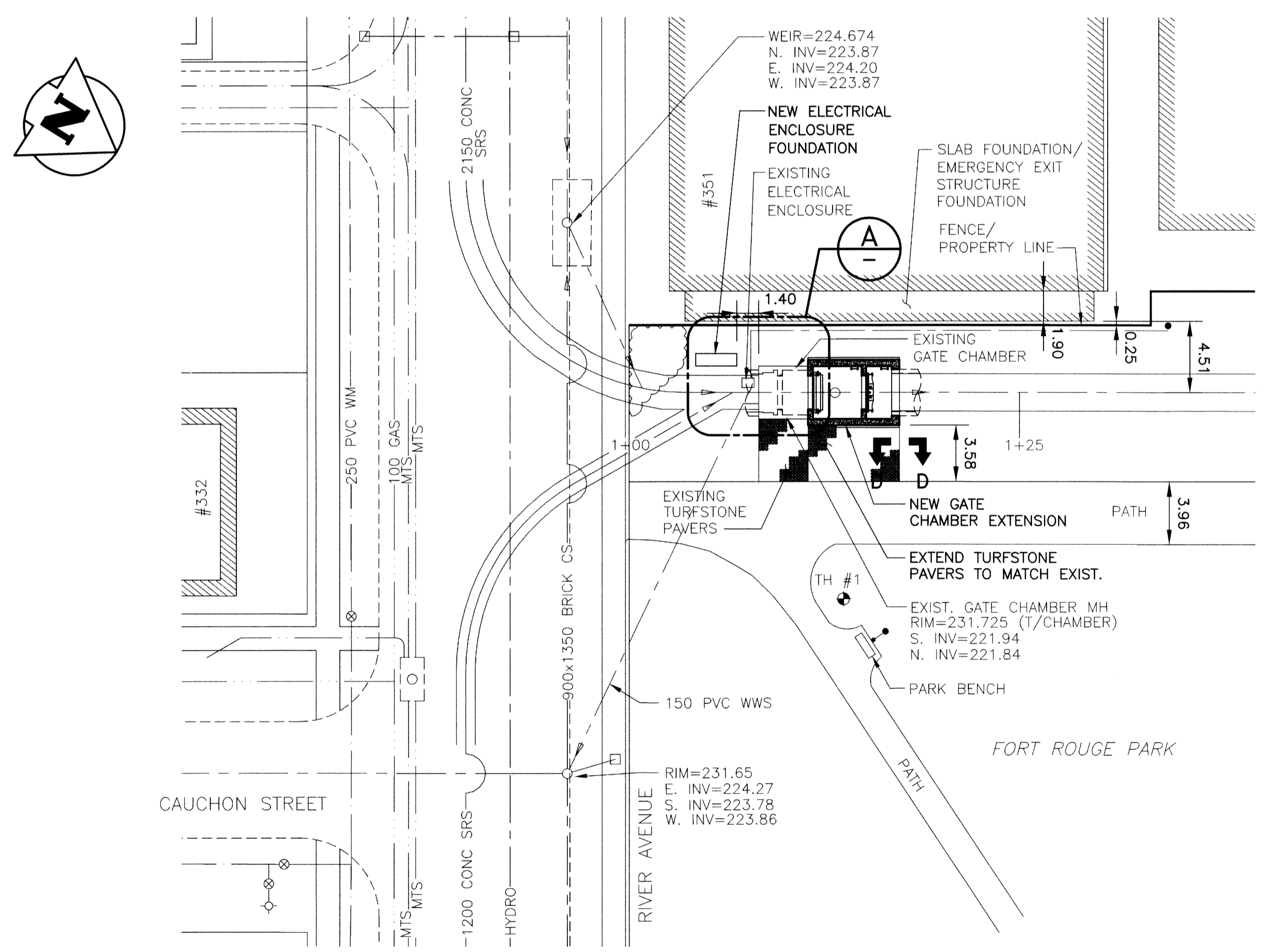


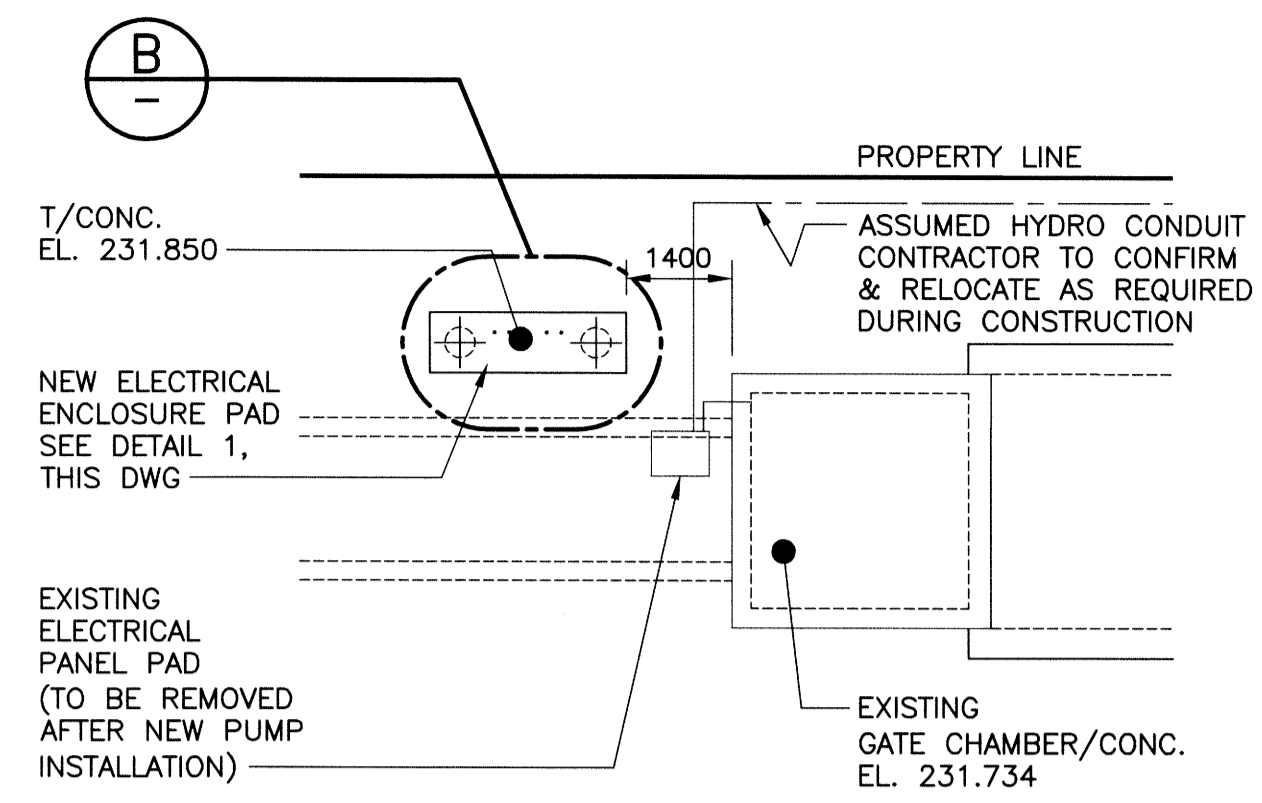
File Name: P:\Projects\2015\15-0107-011\Drawg\Struct\15-0107-011_C01.dwg - Tab: C01 Plotted By: dderoché 10/02/2015 [Fri 9:31am]



PROFILE
SCALE: HOR 1:250
VER 1:100

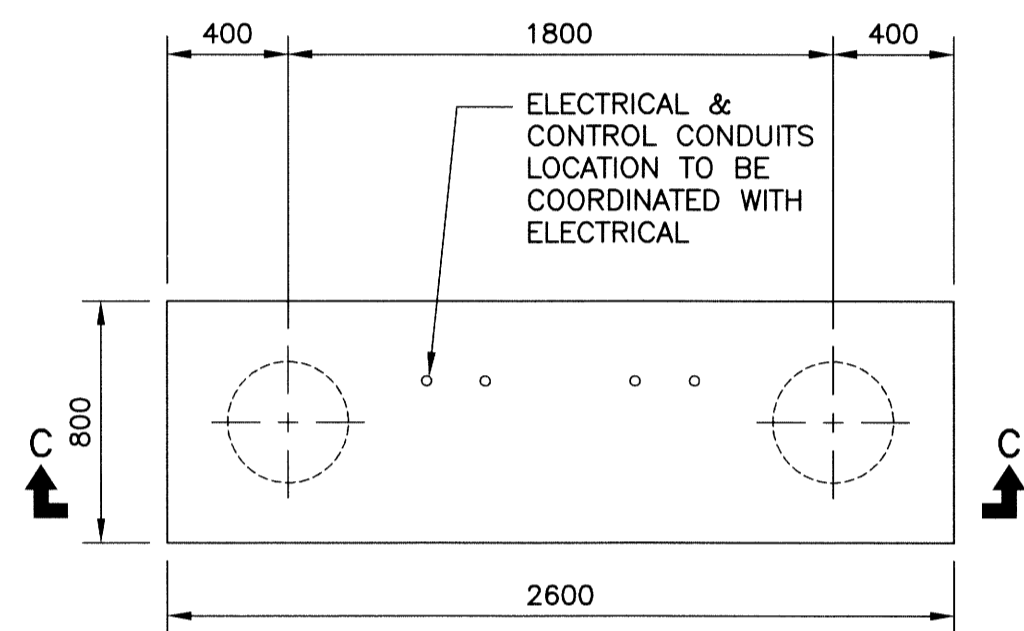


PLAN
SCALE: 1:250

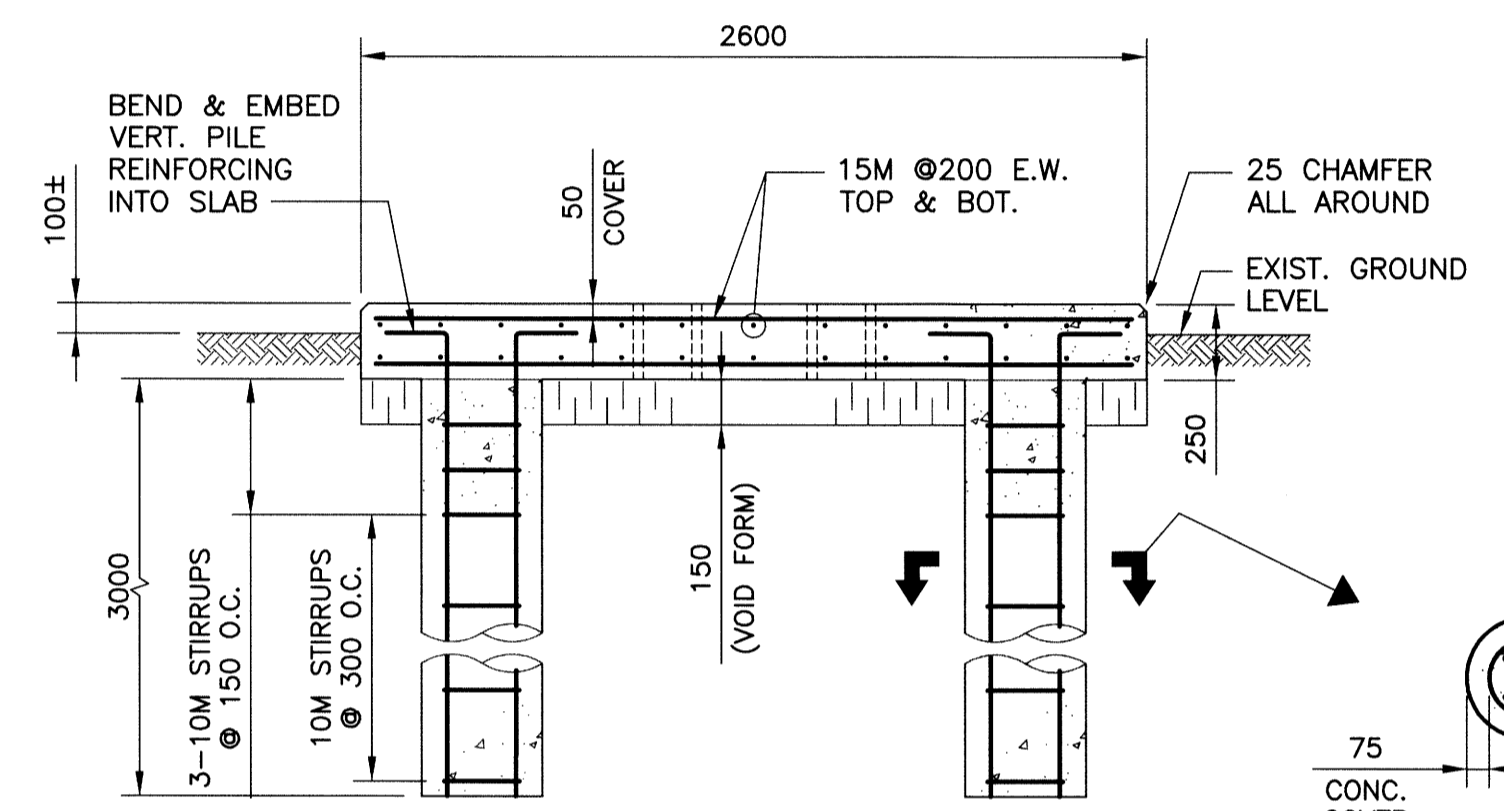


PARTIAL PLAN
SCALE: 1:100

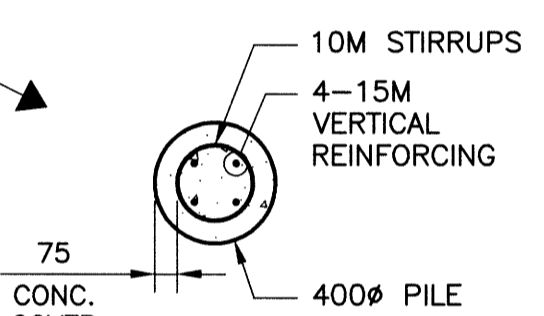
NOTES:
1. CONTRACTOR TO LOCATE AND RELOCATE UTILITIES AS REQUIRED PRIOR TO ANY SHORING AND EXCAVATION WORKS.



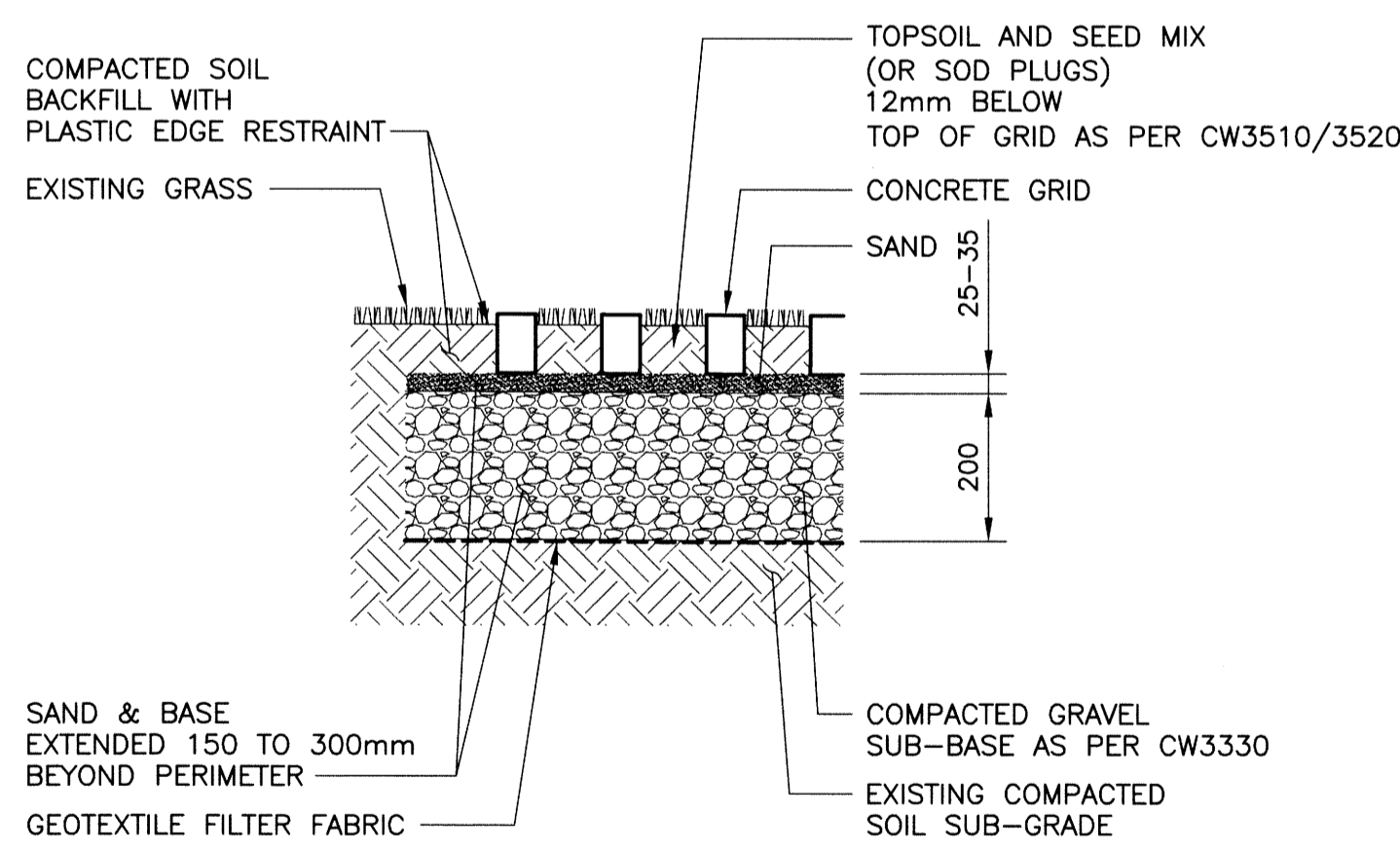
DETAIL - NEW ELECTRICAL ENCLOSURE PAD
SCALE: 1:25



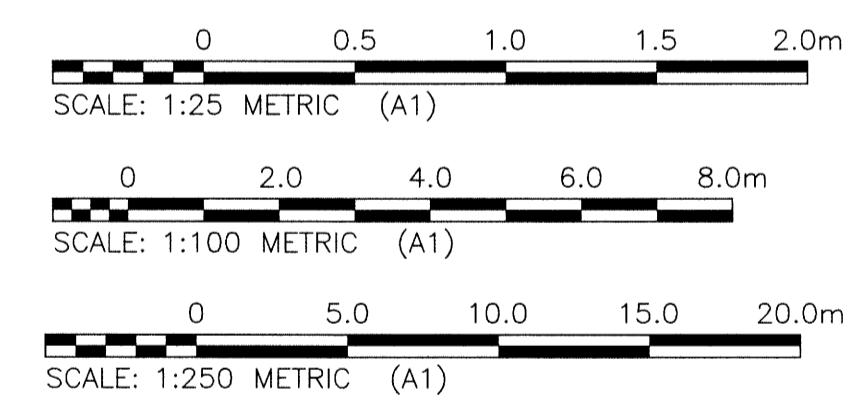
SECTION C-C
SCALE: 1:25



PILE SECTION
SCALE: 1:25



SECTION D-D
SCALE: 1:10



WARNING

IF POWER EQUIPMENT OR EXPLOSIVES ARE TO BE USED FOR EXCAVATION ON THIS PROJECT THE CONTRACTOR MUST:
1) NOTIFY THE GAS COMPANY OF THE PROPOSED LOCATION OF EXCAVATION.
2) TAKE PRECAUTION TO AVOID DAMAGE TO GAS COMPANY INSTALLATIONS.
SEE PROVINCIAL REGULATION 210/72 FOR DETAILS.

EXISTING	LEGEND-PLAN	PROPOSED	EXISTING	LEGEND-PLAN	PROPOSED	EXISTING	LEGEND-PROFILE	PROPOSED
150 WM	WATERMAIN	150 WM	---	HYDRO M.T.S.	---	---	---	---
⊕	HYDRANT	⊕	---	PROPERTY LINE	---	---	---	---
⊙	VALVE	⊙	---	SURVEY BAR	---	---	---	---
300 LDS	LAND DRAINAGE SEWER	300 LDS	---	LIGHT STANDARD	---	---	---	---
250 WWS	WASTE WATER SEWER	250 WWS	---	HYDRO POLE	---	---	---	---
○	MANHOLE	●	---	GUY WIRE	---	---	---	---
▽	CATCH BASIN	▽	---	SIGN	---	---	---	---
□	CURB INLET	■	---	BUSH LINE	---	---	---	---
+	JUNCTIONS	+	---	FENCE	---	---	---	---
---	CULVERT	---	---	ELEVATION	---	---	---	---
---	GAS	---	---					

LOCATION APPROVED UNDERGROUND STRUCTURES
SUPV. U/G STRUCTURES DATE COMMITTEE
NOTE: LOCATION OF UNDERGROUND STRUCTURES AS SHOWN ARE BASED ON THE BEST INFORMATION AVAILABLE, BUT NO GUARANTEE IS GIVEN THAT ALL EXISTING UTILITIES ARE SHOWN OR THAT THE GIVEN LOCATIONS ARE EXACT. CONFIRMATION OF EXISTENCE AND EXACT LOCATION OF ALL SERVICES MUST BE OBTAINED FROM THE INDIVIDUAL UTILITIES BEFORE PROCEEDING WITH CONSTRUCTION.

B.M. 53-006 ELEV. 232.225	SW COR. OF LANE BTWN SCOTT ST & CAUCHON ST, TBLT IN E CONC FOUNDATION OF NO 344 RIVER AVE, 1.0m S & 0.2m BELOW BRICK FROM NE COR OF BLDG
DESIGNED BY	KRD
CHECKED BY	CMS
DRAWN BY	GEL
APPROVED BY	CMS
HOR. SCALE	1:250
VERTICAL	1:100
ISSUED FOR CONSTRUCTION	15/10/02
NO. REVISIONS	DATE BY

KGS GROUP
CONSULTING ENGINEERS

ENGINEER'S SEAL
C.M. SIEPMAN
Member 20813

DESIGNED BY: KRD
CHECKED BY: CMS
DRAWN BY: GEL
APPROVED BY: CMS
HOR. SCALE: 1:250
VERTICAL: 1:100
RELEASED FOR CONSTRUCTION
DATE: 2015 08 25

THE CITY OF WINNIPEG
WATER AND WASTE DEPARTMENT

FORT ROUGE OUTFALL CHAMBER UPGRADES

MUNICIPAL
SITE PLAN, PROFILE & SECTIONS

SHEET 1 OF 1
CITY DRAWING NUMBER
1-0204A-C0001-001

WHOLE NUMBERS INDICATE MILLIMETRES
DECIMALIZED NUMBERS INDICATE METRES

APEGM
Certificate of Authorization
KGS Group
No. 245