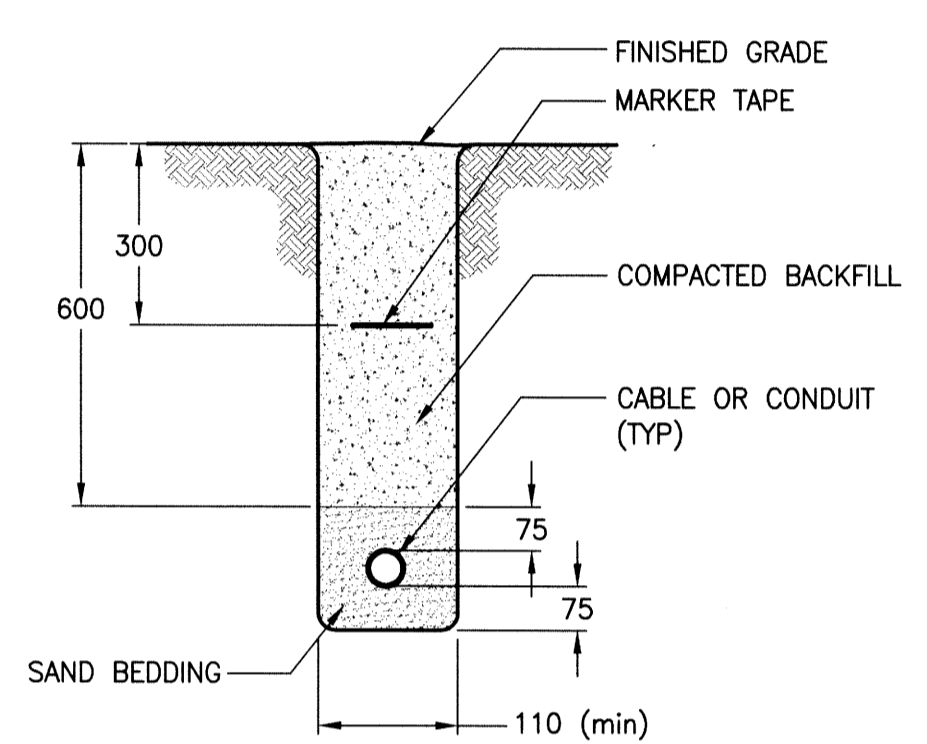


UNDERGROUND CONDUCTORS	
CIRCUIT I.D.	-
YEAR INSTALLED	2015
DIAGRAM	- DETAIL - TABLE -
SIZE/TYPE OF CONDUCTOR	-
AMPACITY	- MAX. OVERCURRENT -

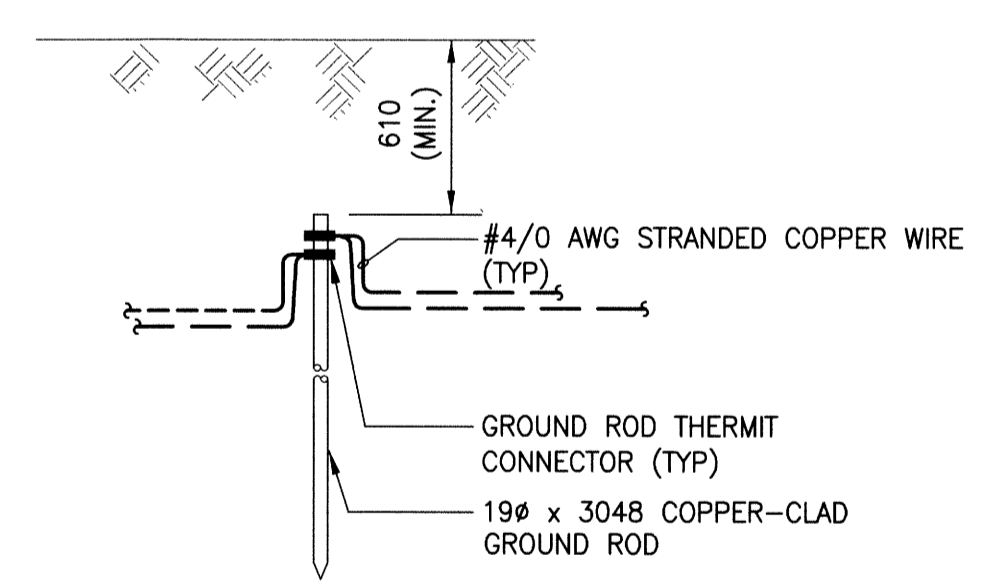
- NOTES:**
1. INTENT IS TO MAINTAIN EXISTING PUMP FOR CHAMBER DEWATERING PURPOSES. MINIMIZE PUMP DOWN TIME AND COORDINATE OUTAGES WITH CITY AND ALL OTHER DISCIPLINES.
 2. REMOVE MB HYDRO METER SOCKET. REMOVE AND MAKE SAFE UNDERGROUND FEEDER DOWNSTREAM OF EXISTING MB HYDRO METER. COORDINATE WITH MB HYDRO FOR REMOVAL OF HYDRO METER AND UPSTREAM FEEDER.
 3. ALL GROUND CONDUCTORS SHALL BE #4AWG BARE STRANDED COPPER.
 4. ALL UNDERGROUND CONDUCTOR INSTALLATIONS SHALL BE IDENTIFIED WITH A LABEL INDICATING THE CODE YEAR TO WHICH THE INSTALLATION WAS DESIGNED, INCLUDING THE U/G DETAIL AND TABLE UTILIZED TO ACHIEVE THE RATED AMPACITY OF THE IEEE CALCULATION. MARKING OF EQUIPMENT SERVICED BY UNDERGROUND INSTALLATION OF #1/0 AWG AND LARGER SHALL BE IDENTIFIED WITH A PERMANENTLY SECURED LAMACOID LABEL (MINIMUM SIZE 80x130mm) POSTED ON OR NEAR EACH SERVICE OR OVERCURRENT SUPPLYING EQUIPMENT INDICATING THE ITEMS SHOWN ON LABEL.

(A) BURIED CABLE LAMACOID LABEL
SCALE: N.T.S. (NOTE 4)



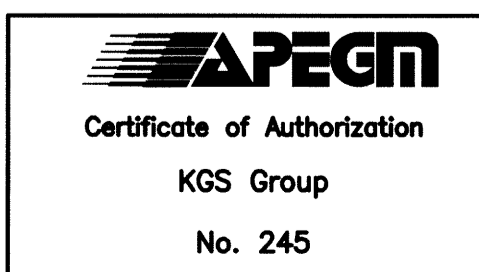
(B) CABLE TRENCH DETAIL
SCALE: N.T.S.

- LEGEND:**
- ☒ EQUIPMENT
 - 20mm Ø X 3000mm COPPER CLAD BURIED GROUND ROD
 - BURIED OR CONCEALED GROUND CONDUCTOR (NOTE 3)
 - CONDUIT SLEEVE



(C) GROUND ROD DETAIL
SCALE: N.T.S.

(1) FORT ROUGE PARK OUTFALL PARTIAL PLAN
SCALE: 3000 0 3000 6000 9000 12000
SCALE: 1:150mm (24"x36")



FIELD BOOK #:	
POSTED TO LBIS	
DESIGNED BY	SEB
CHECKED BY	<i>GAZ</i>
DRAWN BY	JPL
APPROVED BY	<i>GAZ</i>
HDR. SCALE	N.T.S.
VERTICAL	N.T.S.
RELEASED FOR CONSTRUCTION	
NO.	REVISIONS
DATE	DATE
BY	DATE
2015 07 17	

KGS GROUP
CONSULTING ENGINEERS

ENGINEER'S SEAL
BOUCHARD
Member 20560
15/10/2015

THE CITY OF WINNIPEG
WATER AND WASTE DEPARTMENT

FORT ROUGE OUTFALL CHAMBER UPGRADES
FORT ROUGE
ELECTRICAL
SITE PLAN

SHEET 1 OF 1
CITY DRAWING NUMBER
1-0204A-E0005-001