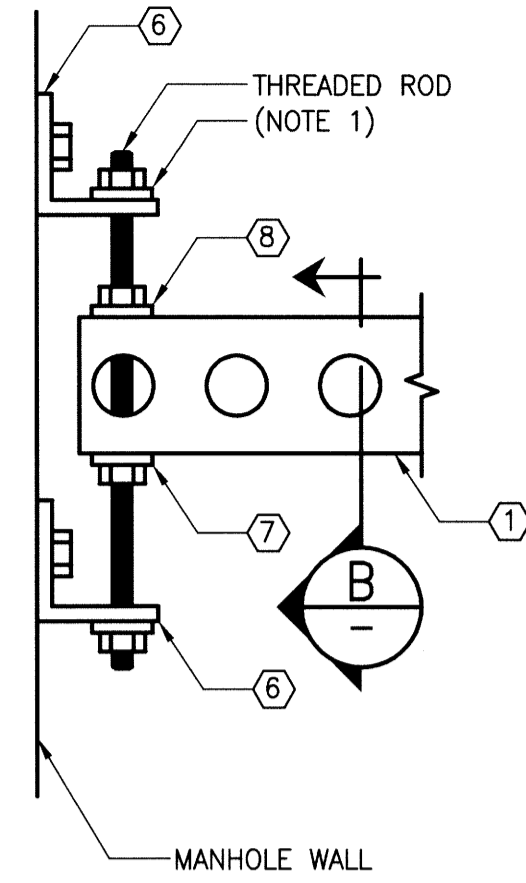
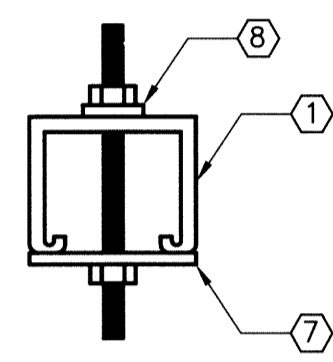


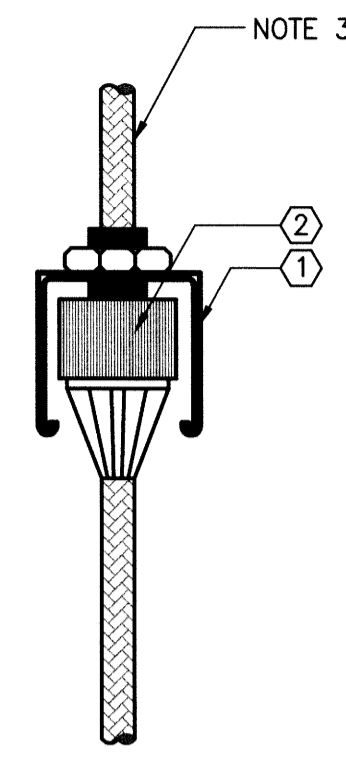
SCHEDULE			
TYPE	DESCRIPTION	MANUFACTURER	CATALOGUE NUMBER
①	TH TYPE CHANNEL	B-LINE	B22TH
②	NONMETALLIC LIQUIDTIGHT STRAIN RELIEF FITTING	B-LINE	2672
③	POST BASE	B-LINE	B280SQ
④	SINGLE CHANNEL ADJUSTABLE BRACE	B-LINE	B634
⑤	ONE HOLE CORNER ANGLE	B-LINE	B420-378
⑥	TWO HOLE ADJUSTABLE CORNER ANGLE	B-LINE	B372
⑦	SQUARE WASHER	B-LINE	B202
⑧	FLAT WASHER	B-LINE	FW



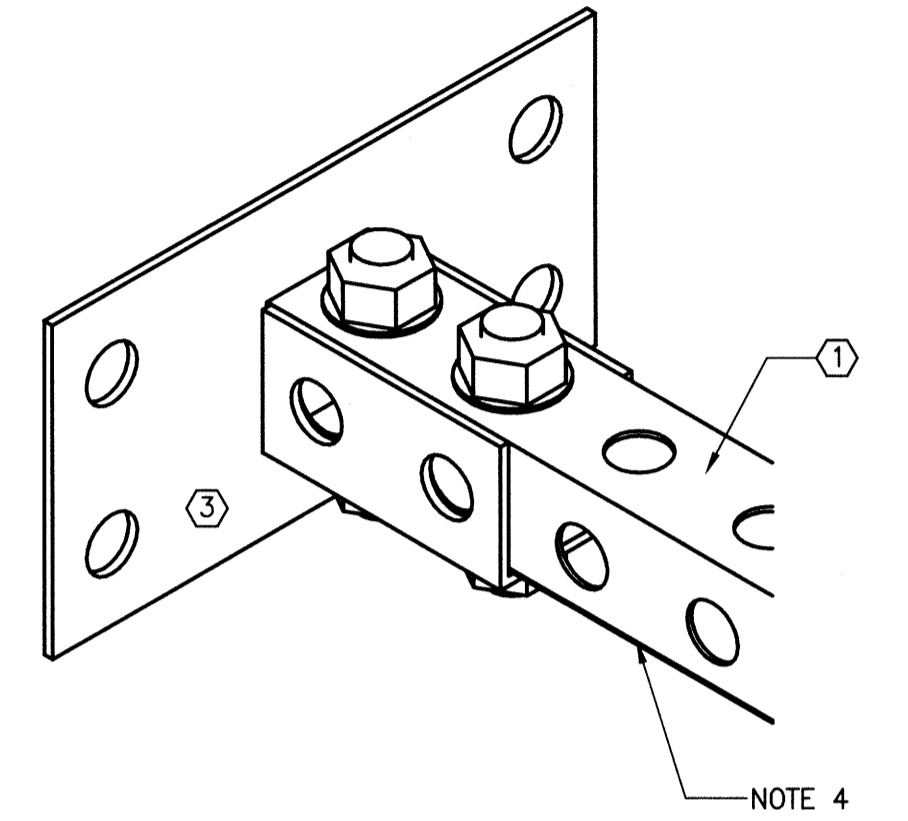
A TRANSDUCER SUPPORT - DETAIL
SCALE: N.T.S.



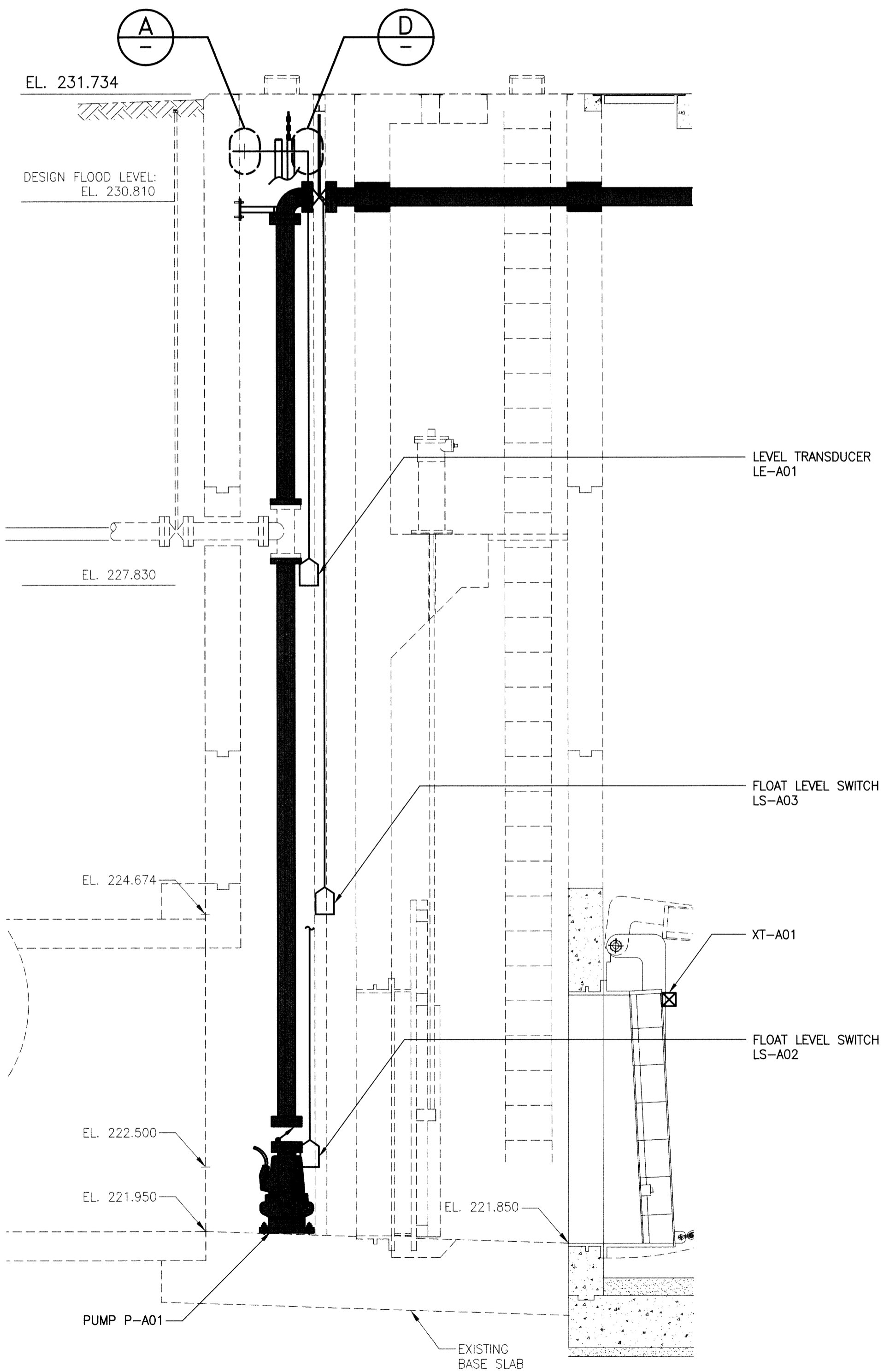
B TRANSDUCER SUPPORT - SECTION
SCALE: N.T.S.



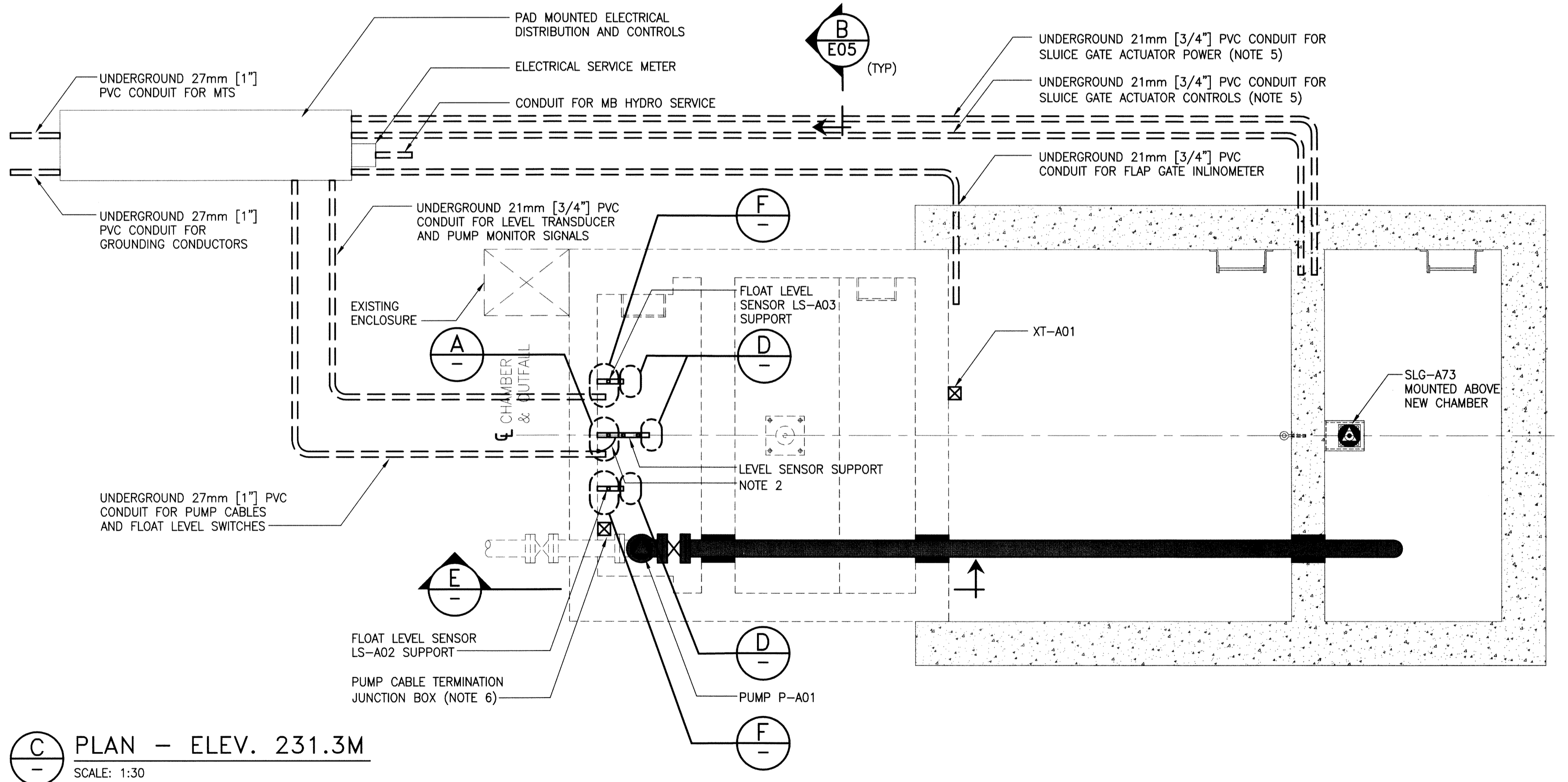
D TRANSDUCER CABLE CLAMP DETAIL
SCALE: N.T.S.



F FLOAT LEVEL SUPPORT DETAIL
SCALE: N.T.S.



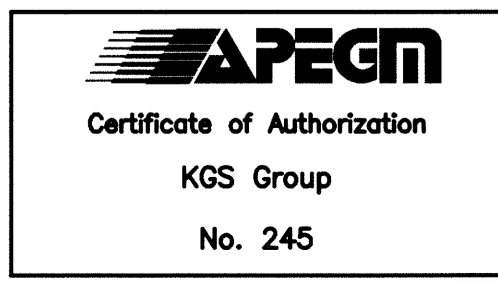
E SECTION
SCALE: 1:30



C PLAN - ELEV. 231.3M
SCALE: 1:30

- NOTES:**
1. THREADED ROD CONNECTIONS AT CORNER ANGLE FITTINGS SHALL ALLOW CHANNEL SUPPORTING TRANSDUCER TO PIVOT.
 2. PROVIDE CHAIN ANCHORED TO WALL TO PREVENT ACCIDENTAL SUBMERSION OF TRANSMITTER.
 3. PROVIDE SUFFICIENT CABLE LENGTH TO REMOVE TRANSDUCER AND CHANNEL SUPPORT FROM MANHOLE WITHOUT DISCONNECTING TRANSDUCER TO ALLOW SPACE FOR PUMP REMOVAL.
 4. CHANNEL SHALL REST IN POST BASE.
 5. REFER TO STRUCTURAL DRAWING 1-0204A-0004-001 (S04) FOR ADDITIONAL DETAILS.
 6. PROVIDE NON-METALLIC NEMA 4 RATED JUNCTION BOX FOR TERMINATION OF MANUFACTURER SUPPLIED PUMP CABLE. INSTALL IN AN EASILY ACCESSIBLE LOCATION NEAR CONDUIT ENTRY POINT AND HATCH OF CHAMBER.

File Name: P:\Projects\2015\15-0107-011\Dwg\Elec\15-0107-011_E07.dwg - Tab: E07 Plotted By: cderoche 10/02/2015 [Fri 10:30am]



NO.	REVISIONS	DATE	BY
0	ISSUED FOR CONSTRUCTION	15/10/02	ms

DESIGNED BY	SEB	CHECKED BY	JAB
DRAWN BY	JPL	APPROVED BY	ms
HR. SCALE	N.T.S.	RELEASED FOR CONSTRUCTION	
VERTICAL	N.T.S.		
DATE	2015 07 17	DATE	

ENGINEER'S SEAL

15/10/02

E07

THE CITY OF WINNIPEG
WATER AND WASTE DEPARTMENT

FORT ROUGE OUTFALL CHAMBER UPGRADES
FORT ROUGE
ELECTRICAL
DETAILS

SHEET 1 OF 1
CITY DRAWING NUMBER
1-0204A-E0007-001