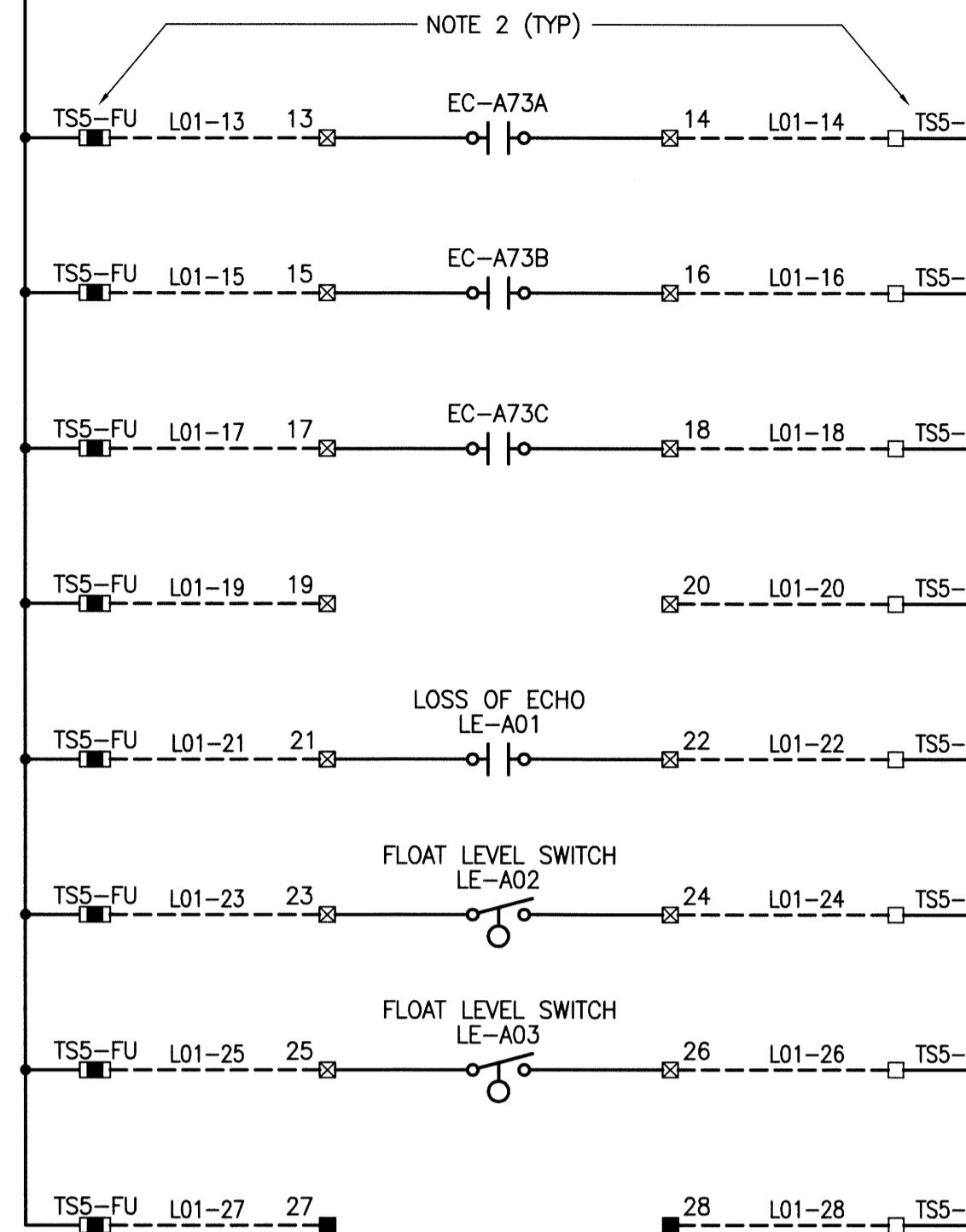
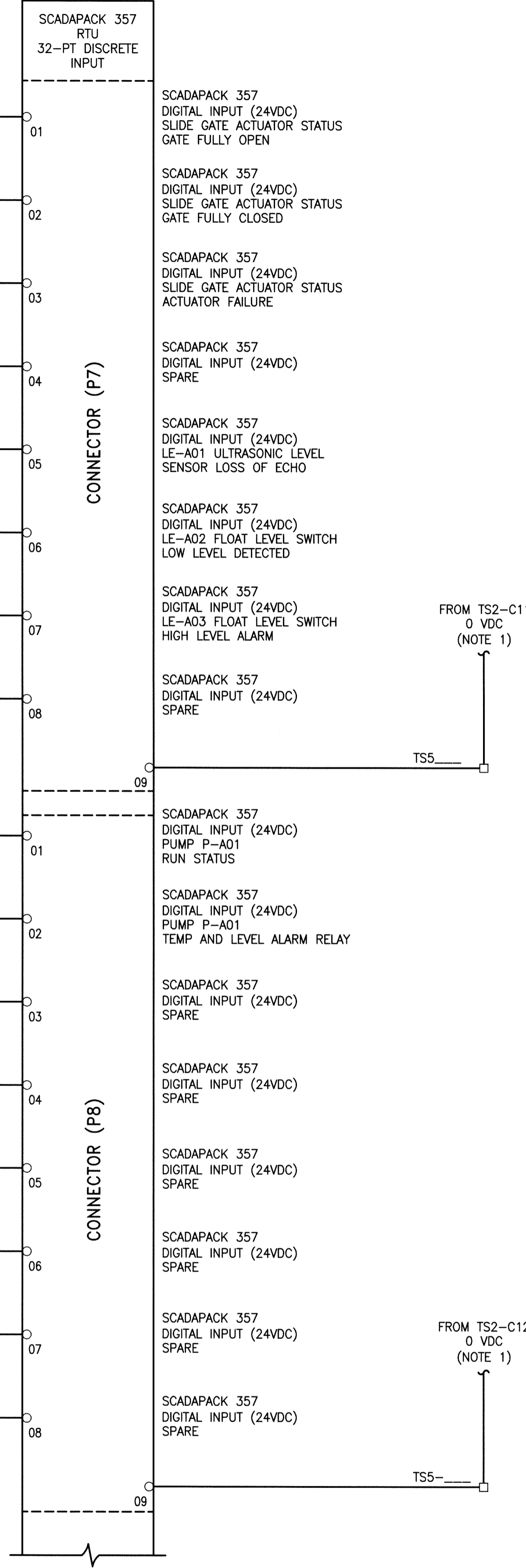
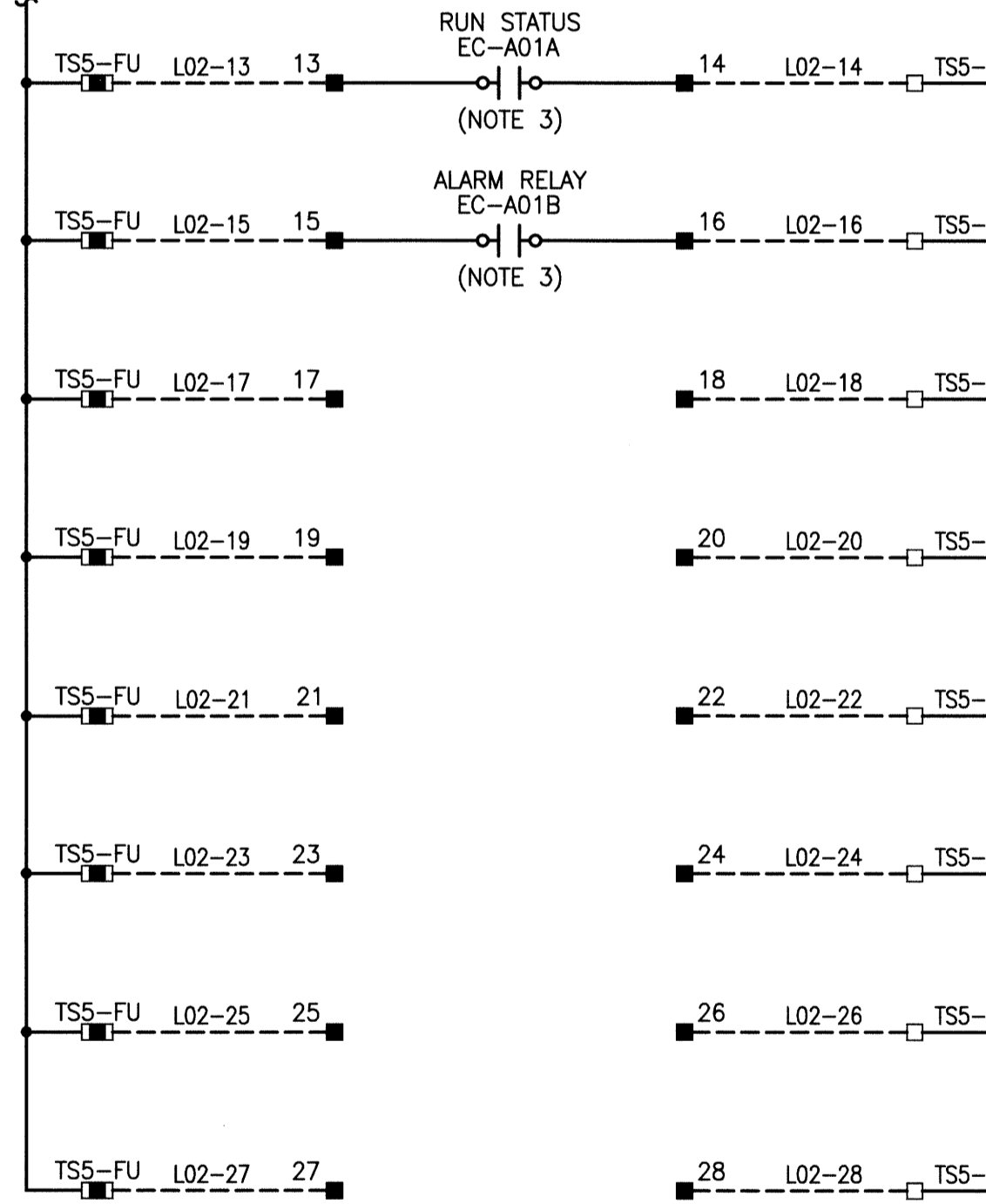


FROM TS2-FU11
24 VDC
(NOTE 1)



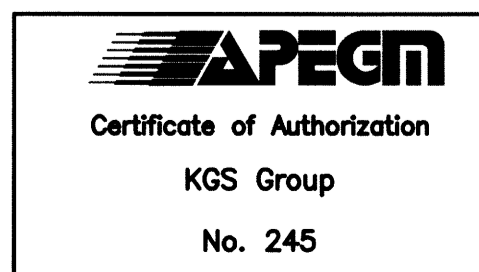
FROM TS2-FU12
24 VDC
(NOTE 1)



- NOTES:**
- REFER TO DRAWING 1-0204A-E0009-001 (E09) FOR ADDITIONAL DETAILS.
 - FINAL TERMINAL BLOCK NUMBERS FOR TERMINALS ON TERMINAL STRIP TS5 SHALL BE DETAILED ON SHOP DRAWINGS.
 - REFER TO PUMP P-A01 SCHEMATIC DRAWING 1-0204A-E0002-001 (E02) FOR ADDITIONAL DETAILS.

- LEGEND:**
- RTU TERMINAL
 - STARTER TERMINAL
 - FUSED TERMINAL
 - ⊠ FIELD DEVICE TERMINAL
 - PANEL WIRING
 - - - FIELD WIRING
 - /○ FLOAT LEVEL SWITCH

File Name: P:\Projects\2015\15-0107-011\DWG\Elec\15-0107-011_E14.dwg - Tab: E34.1 Plotted By: dderoche 10/02/2015 [Fri 10:28am]



FIELD BOOK #:	
POSTED TO LBIS	
0 ISSUED FOR CONSTRUCTION	15/10/02
NO. REVISIONS	DATE BY

KGS GROUP CONSULTING ENGINEERS	
DESIGNED BY: SEB	CHECKED BY: <i>JMS</i>
DRAWN BY: JPL	APPROVED BY: <i>JMS</i>
HDR. SCALE: N.T.S.	RELEASED FOR CONSTRUCTION: -
VERTICAL: N.T.S.	
DATE: 2015 07 17	DATE: -

ENGINEER'S SEAL

E14.1

THE CITY OF WINNIPEG
WATER AND WASTE DEPARTMENT

FORT ROUGE OUTFALL CHAMBER UPGRADES
FORT ROUGE
ELECTRICAL
RTU PANEL - 5606 I/O BOARD
DISCRETE INPUTS

SHEET 1 OF 2
CITY DRAWING NUMBER
1-0204A-E0014-001