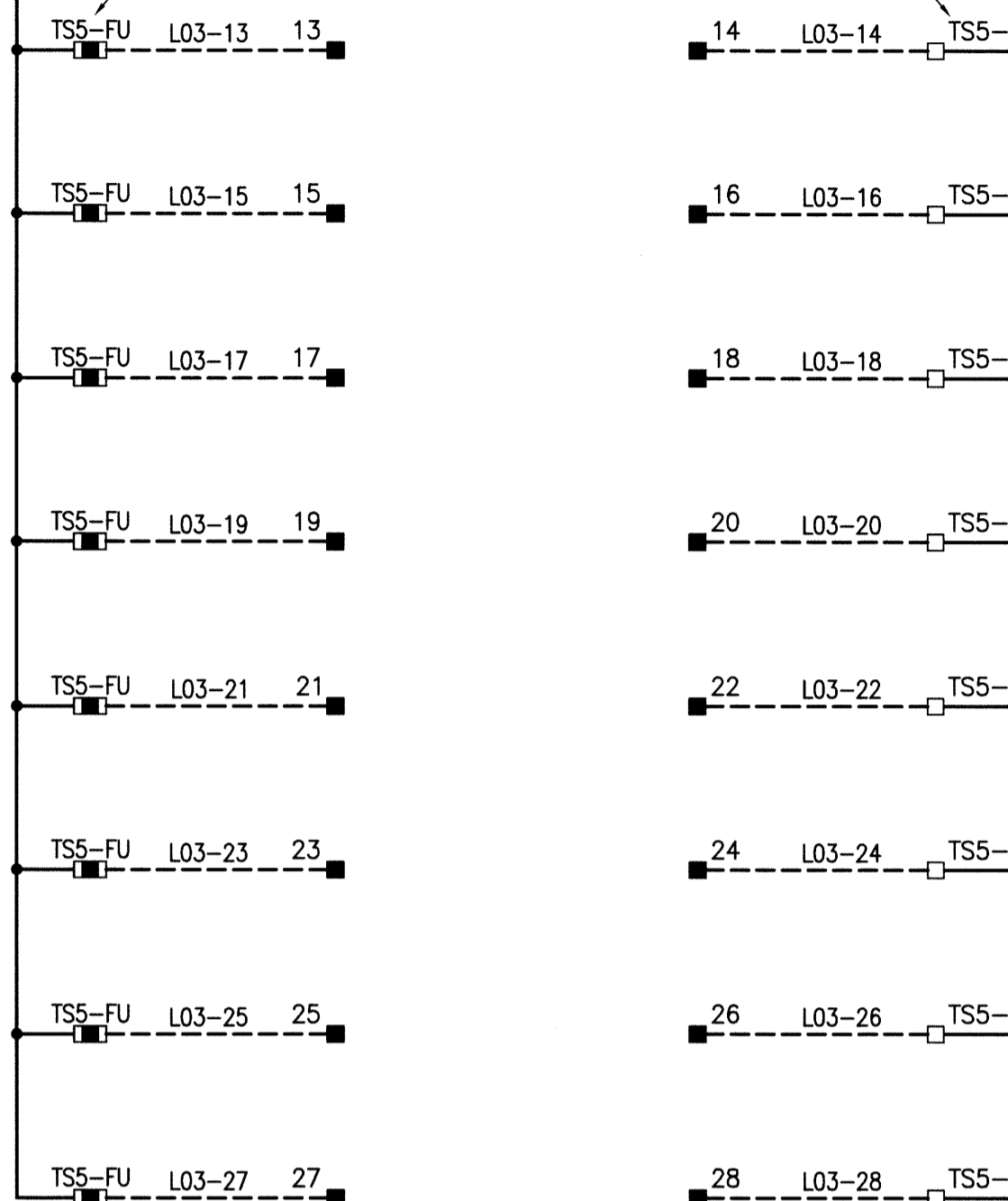
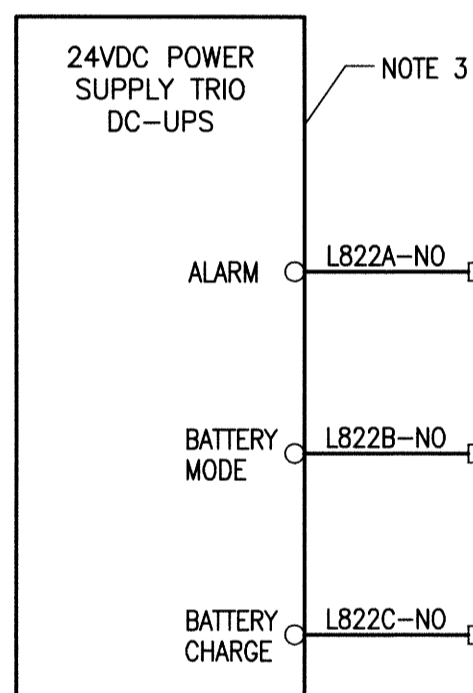


FROM TS2-FU13
(NOTE 1)
24 VDC

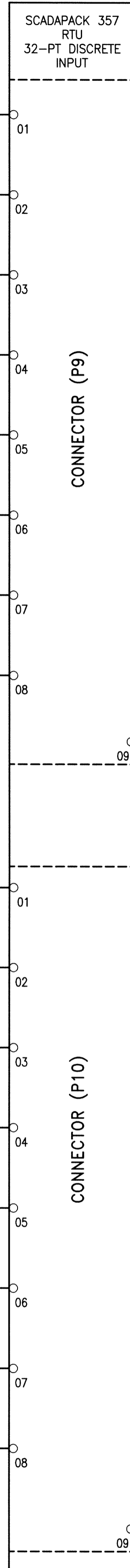
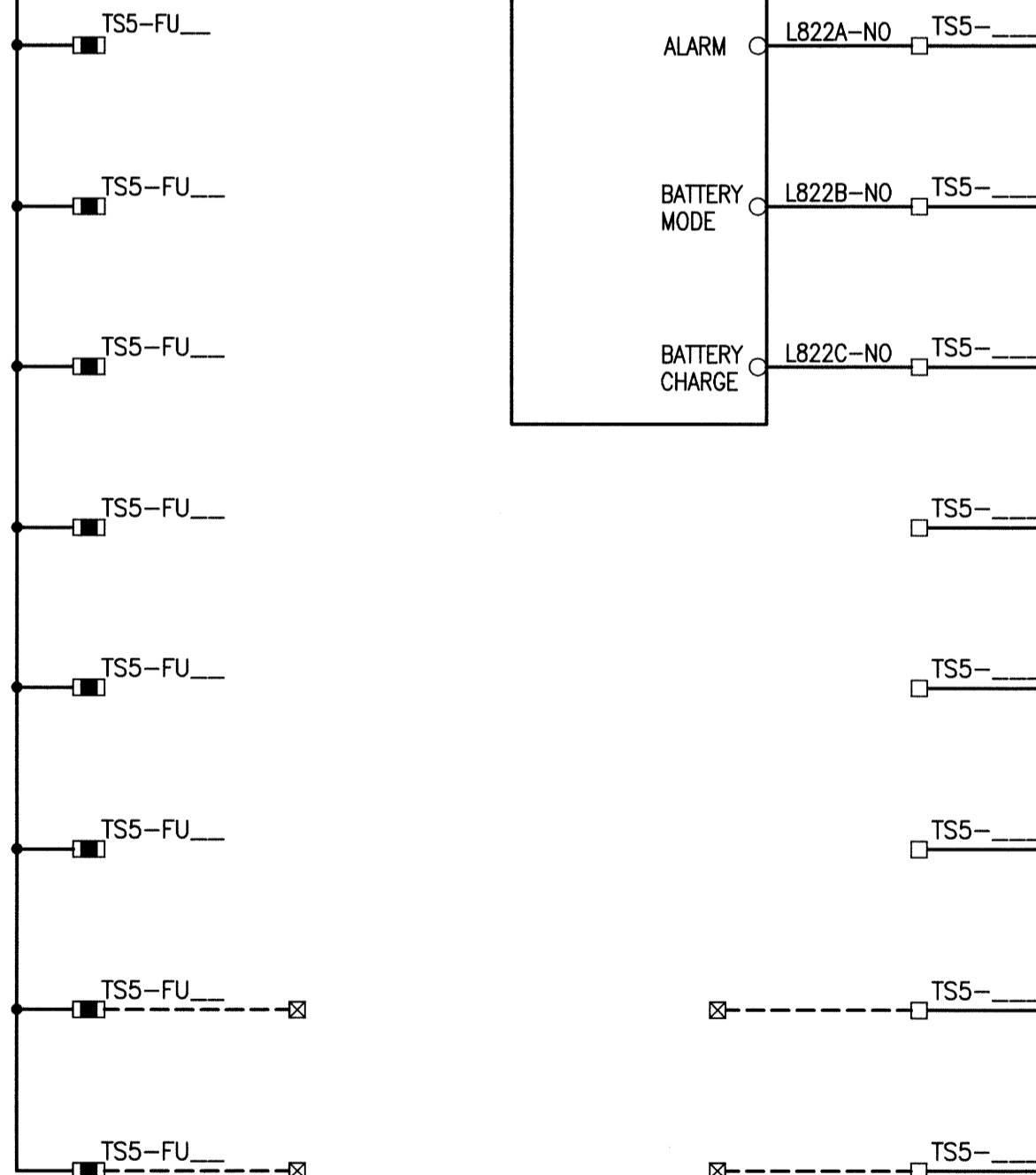
NOTE 2 (TYP)



FROM TS2-FU14
(NOTE 1)
24 VDC



NOTE 3



SCADAPACK 357
RTU
32-PT DISCRETE
INPUT

01 SCADAPACK 357
DIGITAL INPUT (24VDC)
SPARE

02 SCADAPACK 357
DIGITAL INPUT (24VDC)
SPARE

03 SCADAPACK 357
DIGITAL INPUT (24VDC)
SPARE

04 SCADAPACK 357
DIGITAL INPUT (24VDC)
SPARE

05 SCADAPACK 357
DIGITAL INPUT (24VDC)
SPARE

06 SCADAPACK 357
DIGITAL INPUT (24VDC)
SPARE

07 SCADAPACK 357
DIGITAL INPUT (24VDC)
SPARE

08 SCADAPACK 357
DIGITAL INPUT (24VDC)
SPARE

SCADAPACK 357
DIGITAL INPUT (24VDC)
UPS FAILURE
XA-A82A

SCADAPACK 357
DIGITAL INPUT (24VDC)
UPS IN BATTERY MODE
XA-A82B

SCADAPACK 357
DIGITAL INPUT (24VDC)
UPS CHARGING
XA-A82C

SCADAPACK 357
DIGITAL INPUT (24VDC)
SPARE

SCADAPACK 357
DIGITAL INPUT (24VDC)
SPARE

SCADAPACK 357
DIGITAL INPUT (24VDC)
SPARE

SCADAPACK 357
DIGITAL INPUT (24VDC)
SUPPLY FAN SF-L61
SPARE

FROM TS-C13
(NOTE 1)
0 VDC

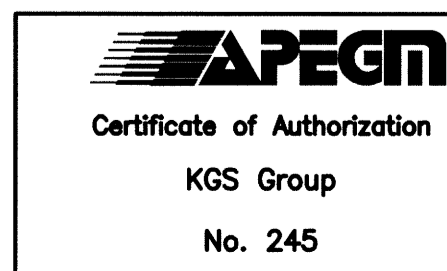
FROM TS-C14
(NOTE 1)
0 VDC

NOTES:

1. REFER TO DRAWING 1-0204A-E0009-001 (E09) FOR ADDITIONAL DETAILS.
2. FINAL TERMINAL BLOCK NUMBERS FOR TERMINALS ON TERMINAL STRIP TS5 SHALL BE DETAILED ON SHOP DRAWINGS.
3. REFER TO DRAWING 1-0204A-E0010-001 (E10) FOR ADDITIONAL DETAILS.

LEGEND:

- RTU TERMINAL
- ⊗ FIELD DEVICE TERMINAL
- STARTER TERMINAL
- FUSED TERMINAL
- PANEL WIRING
- - - - FIELD WIRING



FIELD BOOK #:	
POSTED TO LBIS	
0	ISSUED FOR CONSTRUCTION 15/10/02
NO.	REVISIONS DATE BY

		DESIGNED BY SEB	CHECKED BY <i>JMS</i>
		DRAWN BY JPL	APPROVED BY <i>JMS</i>
HDR. SCALE VERTICAL	N.T.S.	RELEASED FOR CONSTRUCTION	-
DATE	2015 07 17	DATE	-

ENGINEER'S SEAL

E14.2

THE CITY OF WINNIPEG
WATER AND WASTE DEPARTMENT

FORT ROUGE OUTFALL CHAMBER UPGRADES
FORT ROUGE
ELECTRICAL
RTU PANEL - 5606 I/O BOARD
DISCRETE INPUTS

SHEET 2 OF 2
CITY DRAWING NUMBER
1-0204A-E0014-002