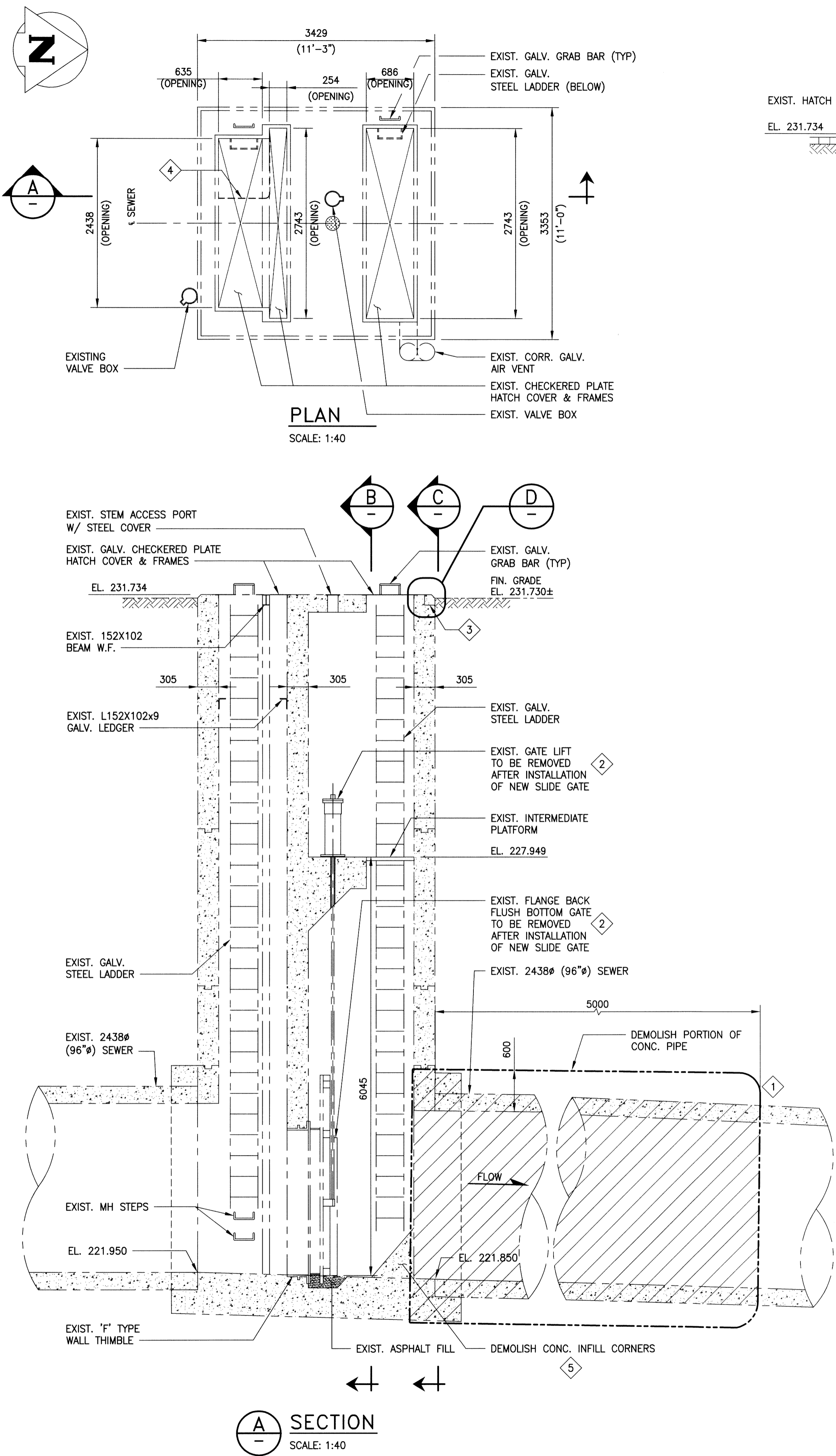
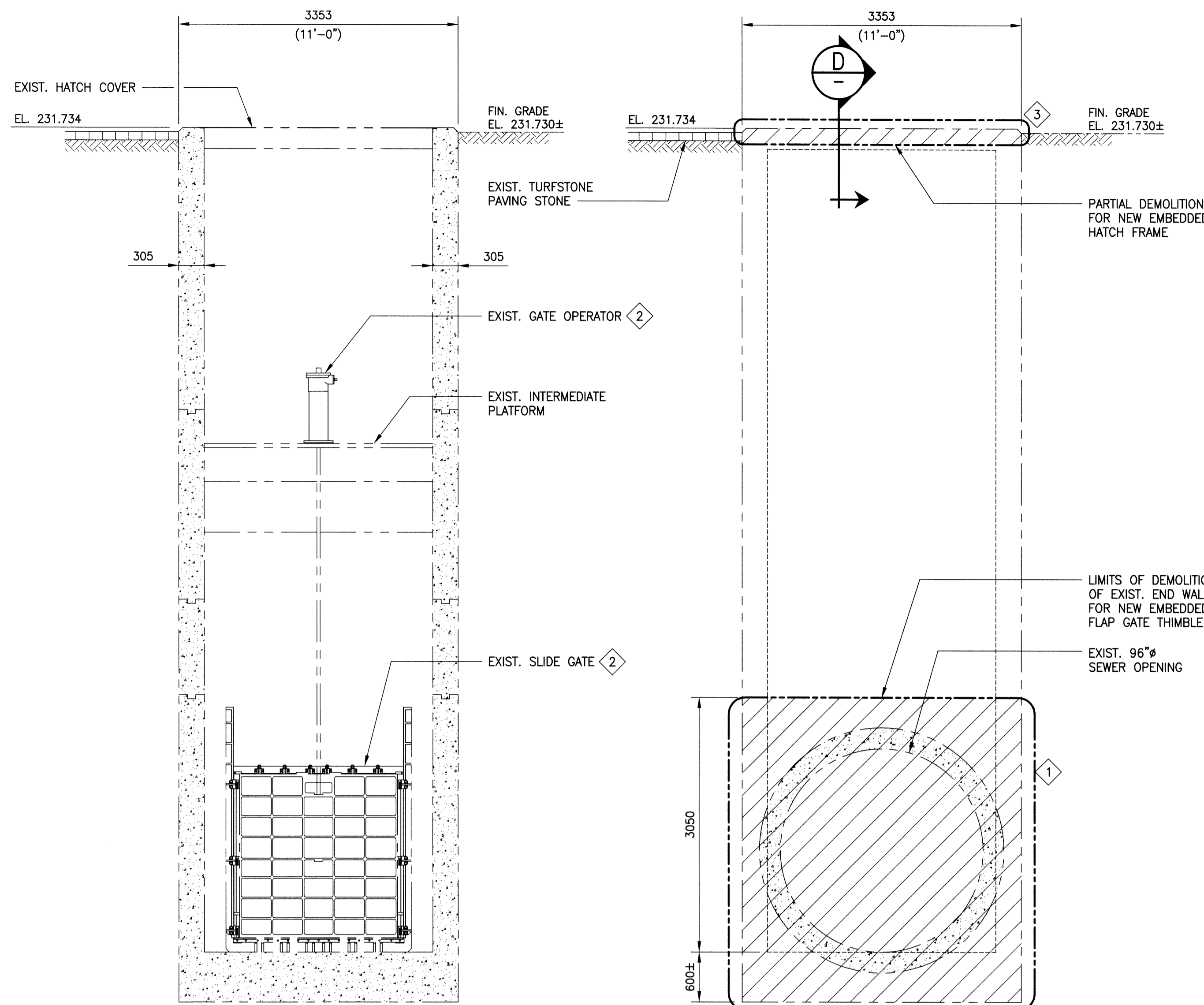


File Name: P:\Projects\2015\15-0107-011\DWG\Struct\15-0107-011\_S01.dwg - Tab: S01 Plotted By: dderoché 10/02/2015 [Fri 9:29am]

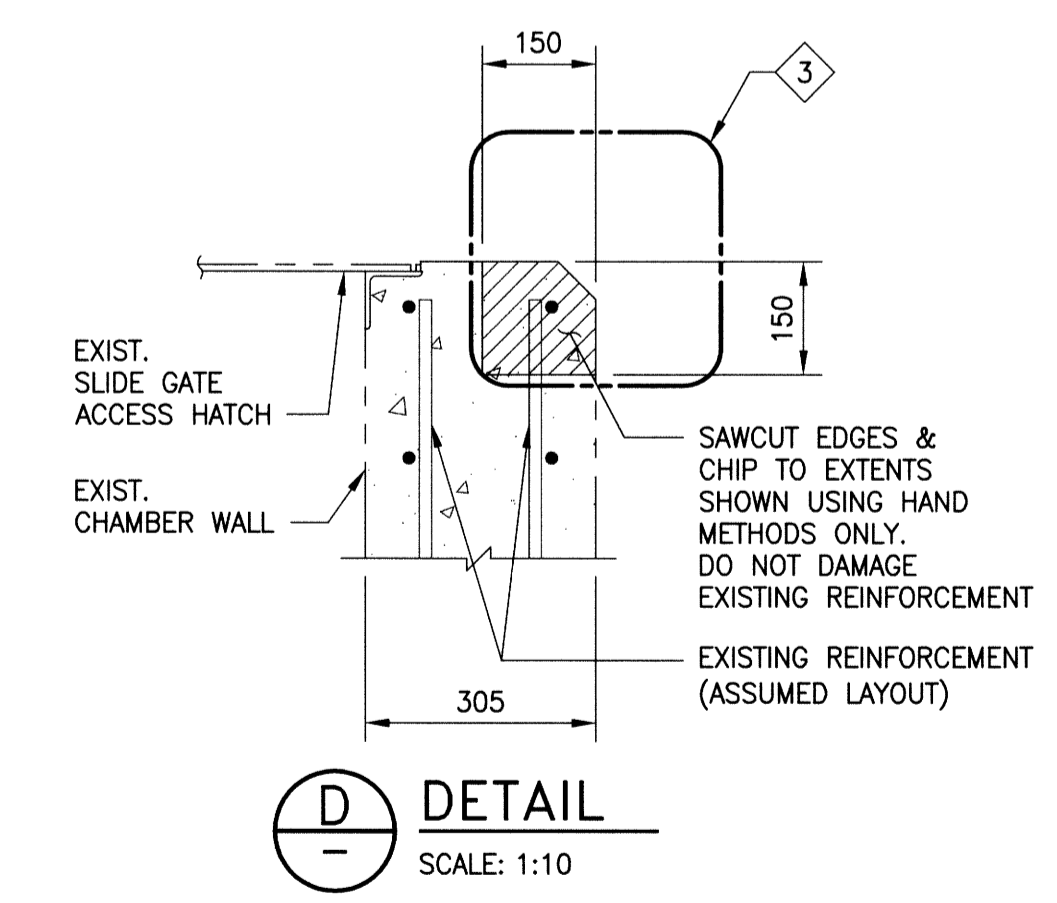


**A SECTION**  
SCALE: 1:40



**B SECTION**  
SCALE: 1:40

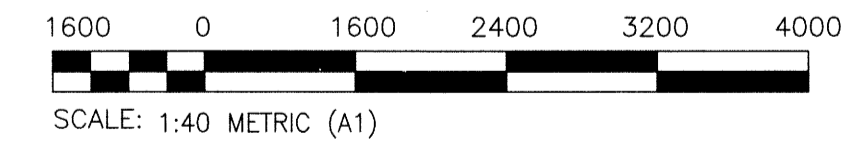
**C SECTION**  
SCALE: 1:40



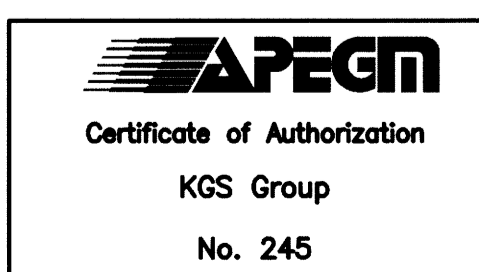
**D DETAIL**  
SCALE: 1:10

- DEMOLITION:**
- ALL DEMOLITION WORK SHALL BE DONE IN ACCORDANCE WITH THE REQUIREMENTS OF ALL PERTINENT BUILDING CODES, THE MANITOBA DEPARTMENT OF LABOUR, AND ANY OTHER PROVINCIAL AND LOCAL BY-LAWS, REGULATIONS AND ORDINANCES.
  - DEMOLITION SHALL INCLUDE THE SAFE REMOVAL, HAULING AND DUMPING OF ALL DEBRIS, ETC. TO AN APPROVED SITE. ALL COSTS ASSOCIATED WITH THIS OPERATION, INCLUDING TRANSPORT, LICENSES AND FEES SHALL BE THE RESPONSIBILITY OF THE CONTRACTOR.
  - CONTRACTOR SHALL SUBMIT SHORING SHOP DRAWINGS FOR REVIEW PRIOR TO INSTALLATION SHORING SHALL BE DESIGNED AND SEALED BY A PROFESSIONAL ENGINEER REGISTERED OR LICENSED TO PRACTICE IN THE PROVINCE OF MANITOBA AND EXPERIENCED IN THE STRUCTURAL DESIGN OF SHORING SYSTEMS.

- GENERAL:**
- REMOVE EXISTING OUTFALL PIPE AT THE LIMITS SHOWN IN THE DRAWING. PROVIDE SUPPORT TO EXIST. PIPE USING LEAN MIX CONCRETE BEDDING IMMEDIATELY AFTER CUTTING AND REMOVAL OF PIPE. SAWCUT WALL FOR INSTALLATION OF NEW FLAP GATE OPENING EMBEDDED WALL THIMBLE.
  - REMOVE EXISTING SLIDE GATE, GATE OPERATOR AND ALL ASSOCIATED APPURTENANCES FOLLOWING INSTALLATION AND SUCCESSFUL TESTING OF THE NEW DOWNSTREAM SLIDE GATE. EMBEDDED WALL THIMBLE IS TO REMAIN IN PLACE.
  - PARTIAL DEMOLITION OF THE EXISTING GATE CHAMBER ROOF EDGE IS REQUIRED TO INSTALL THE NEW EMBEDDED FLAP GATE ACCESS HATCH FRAME. DEMOLITION BY HAND METHODS ONLY AS TO NOT DAMAGE EXISTING REINFORCEMENT.
  - REMOVE EXISTING LADDER CAGE IN THE UPSTREAM CHAMBER CELL.
  - DEMOLISH EXISTING INFILL WITHIN THE CHAMBER. DO NOT DAMAGE EXISTING CHAMBER WALLS AND FLOOR SLAB.



**METRIC**  
WHOLE NUMBERS INDICATE MILLIMETRES  
DECIMALIZED NUMBERS INDICATE METRES



FIELD BOOK #:		POSTED TO LBIS	
NO.	REVISIONS	DATE	BY
0	ISSUED FOR CONSTRUCTION	15/10/02	CMS

<b>KGS GROUP</b> CONSULTING ENGINEERS		ENGINEER'S SEAL
DESIGNED BY: KRD	CHECKED BY: CMS	
DRAWN BY: FBV	APPROVED BY: CMS	
HDR. SCALE AS NOTED VERTICAL AS NOTED	RELEASED FOR CONSTRUCTION	
DATE: 2015 07 20	DATE:	S01

**THE CITY OF WINNIPEG**  
WATER AND WASTE DEPARTMENT

FORT ROUGE OUTFALL CHAMBER UPGRADES

**STRUCTURAL**  
GATE CHAMBER PARTIAL DEMOLITION  
PLAN & SECTIONS

SHEET 1 OF 1  
CITY DRAWING NUMBER  
1-0204A-S0001-001