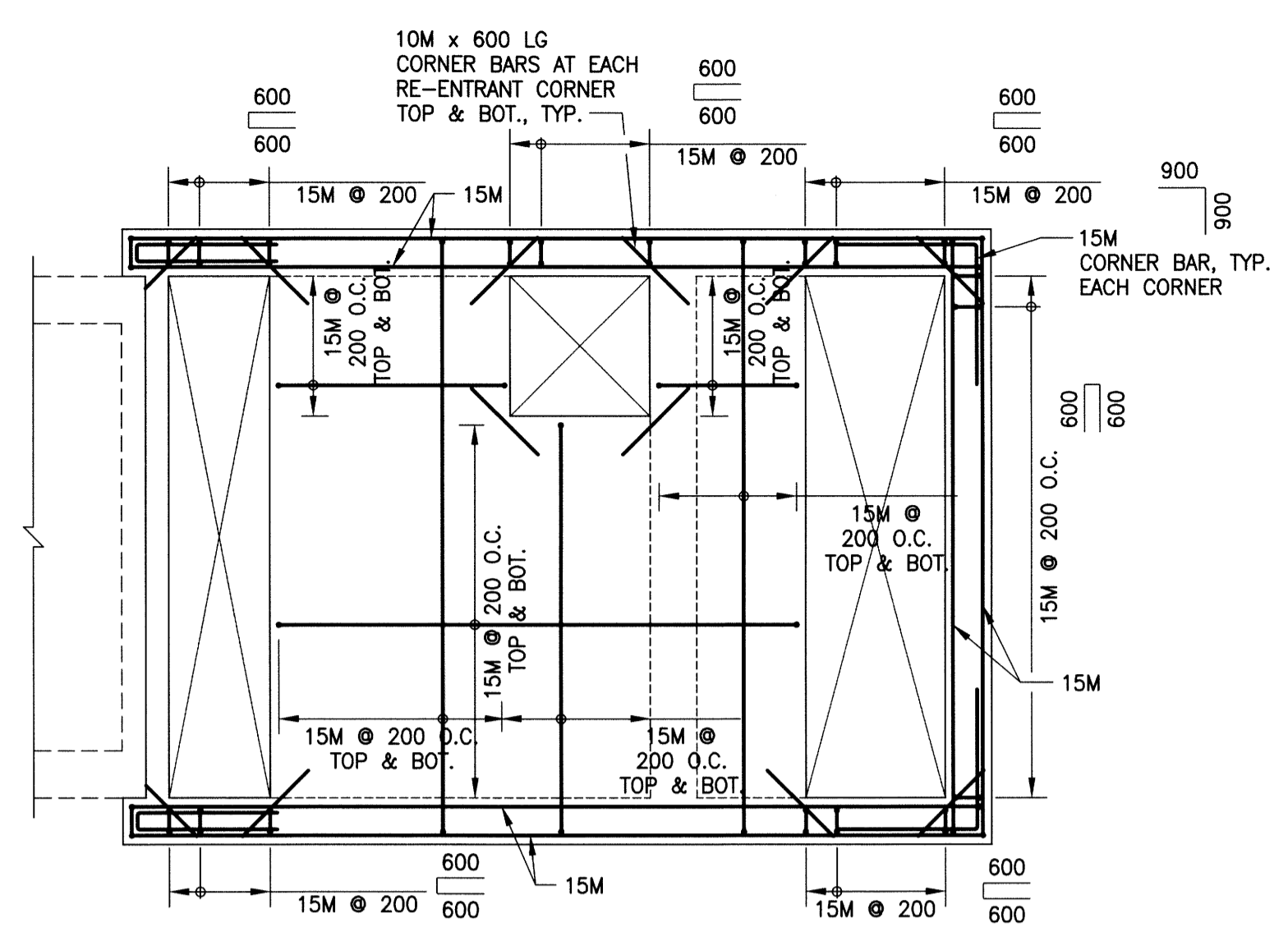


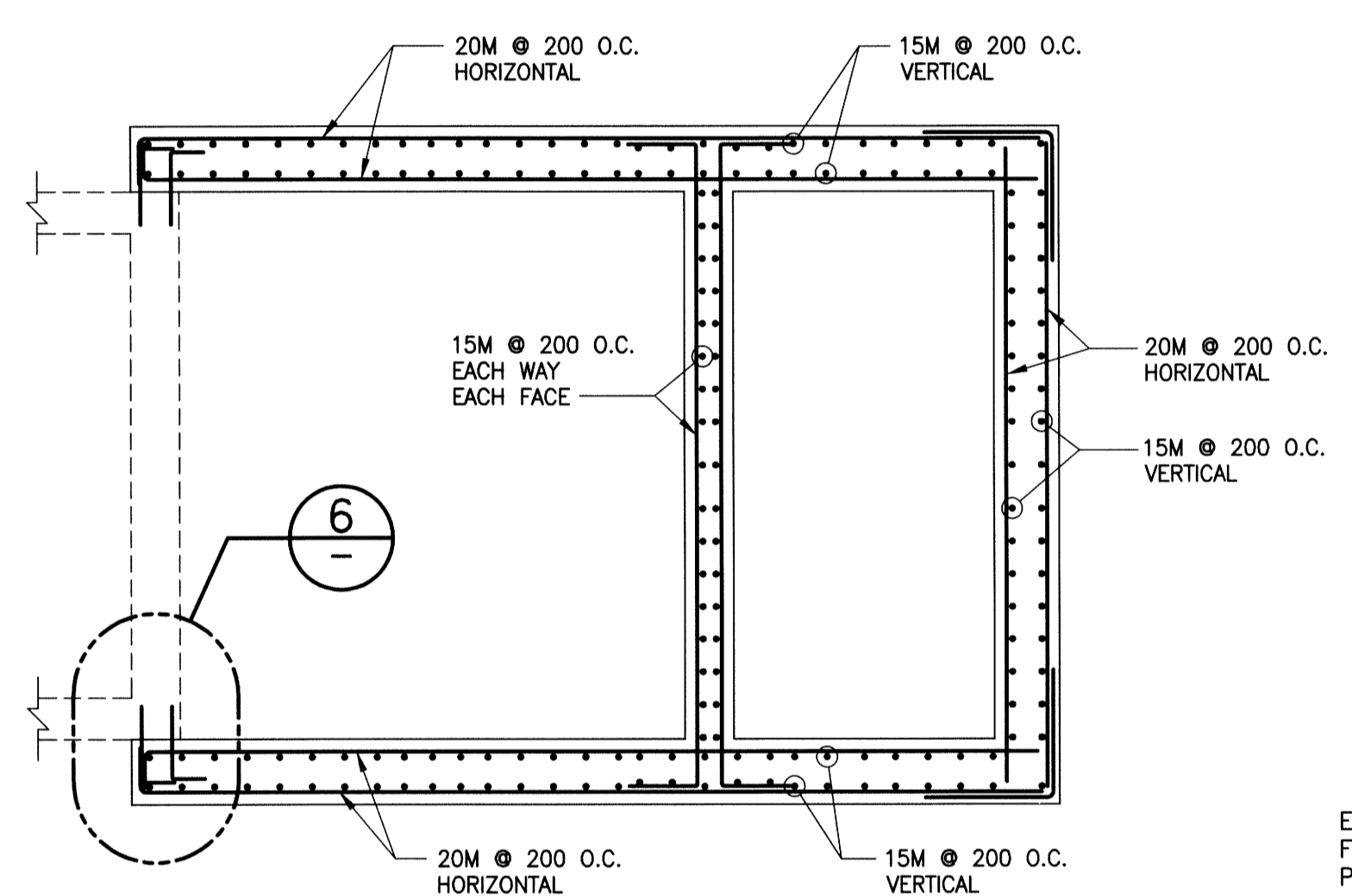
File Name: P:\Projects\2015\15-0107-011\DWG\Struct\15-0107-011_S04.dwg - Tab: S04 Plotted By: dderoché 10/02/2015 [Fri 9:28am]



ROOF SLAB REINFORCING PLAN

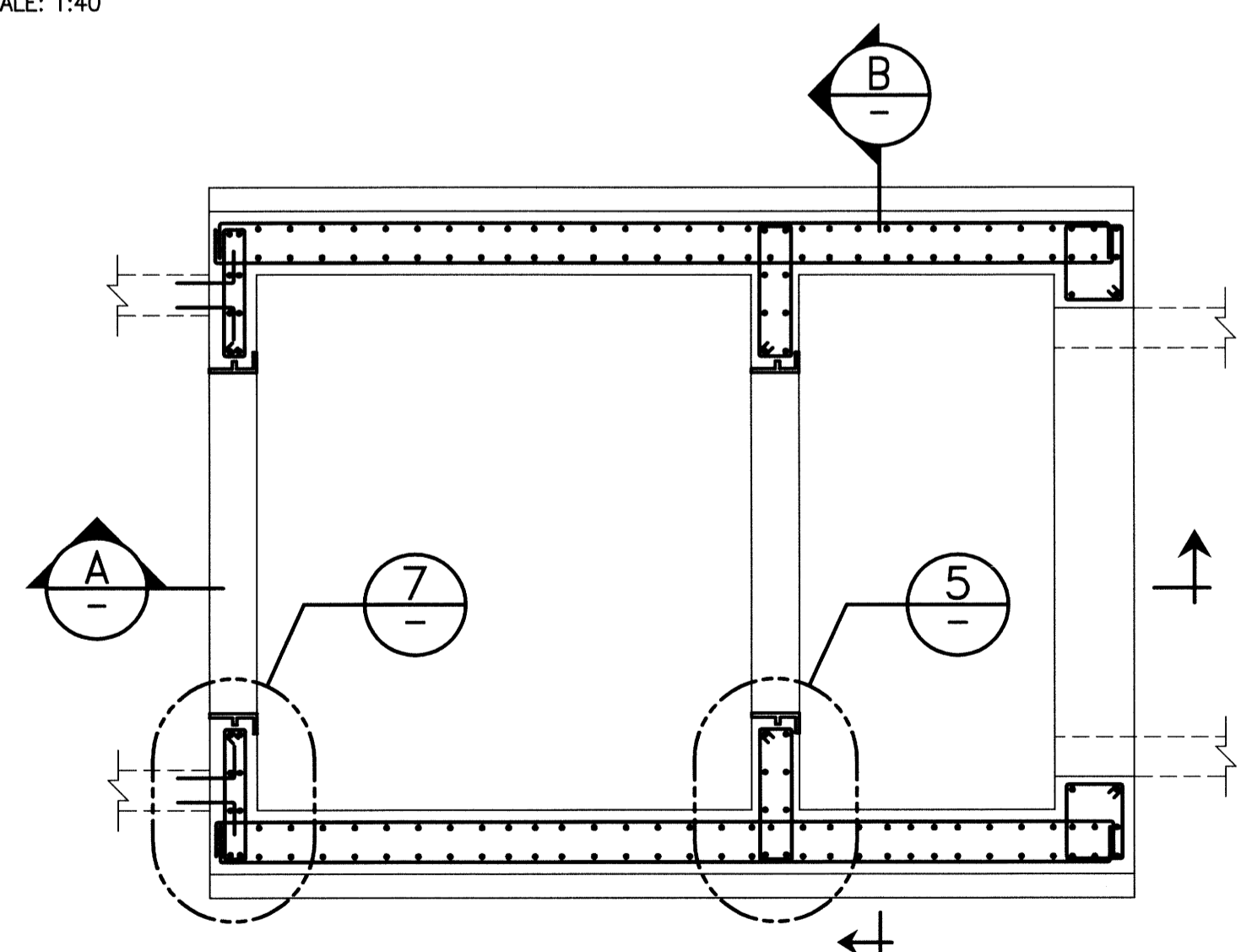
SCALE: 1:40

ALL SLAB REINFORCEMENT TO HAVE 200mm LEGS AT EACH END U.N.O.



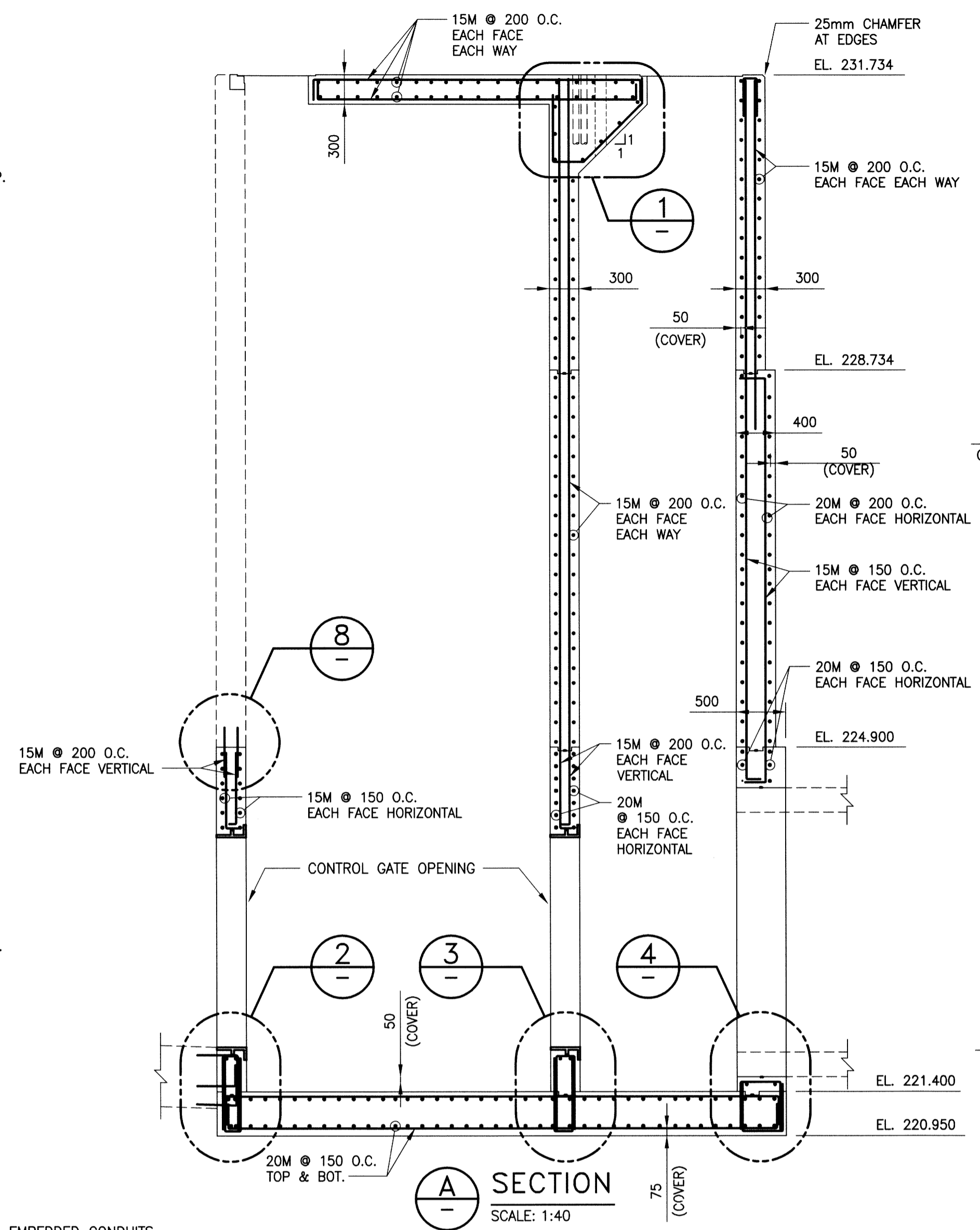
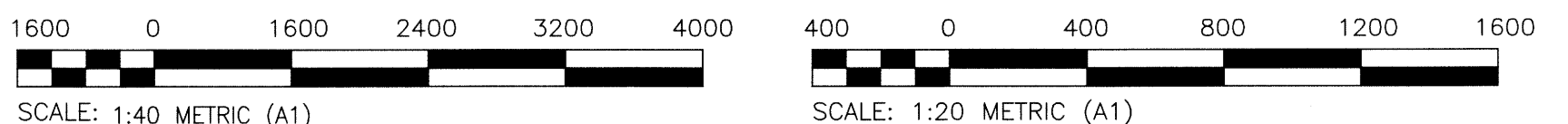
REINFORCING PLAN - EL. 224.900 TO EL. 228.734

SCALE: 1:40



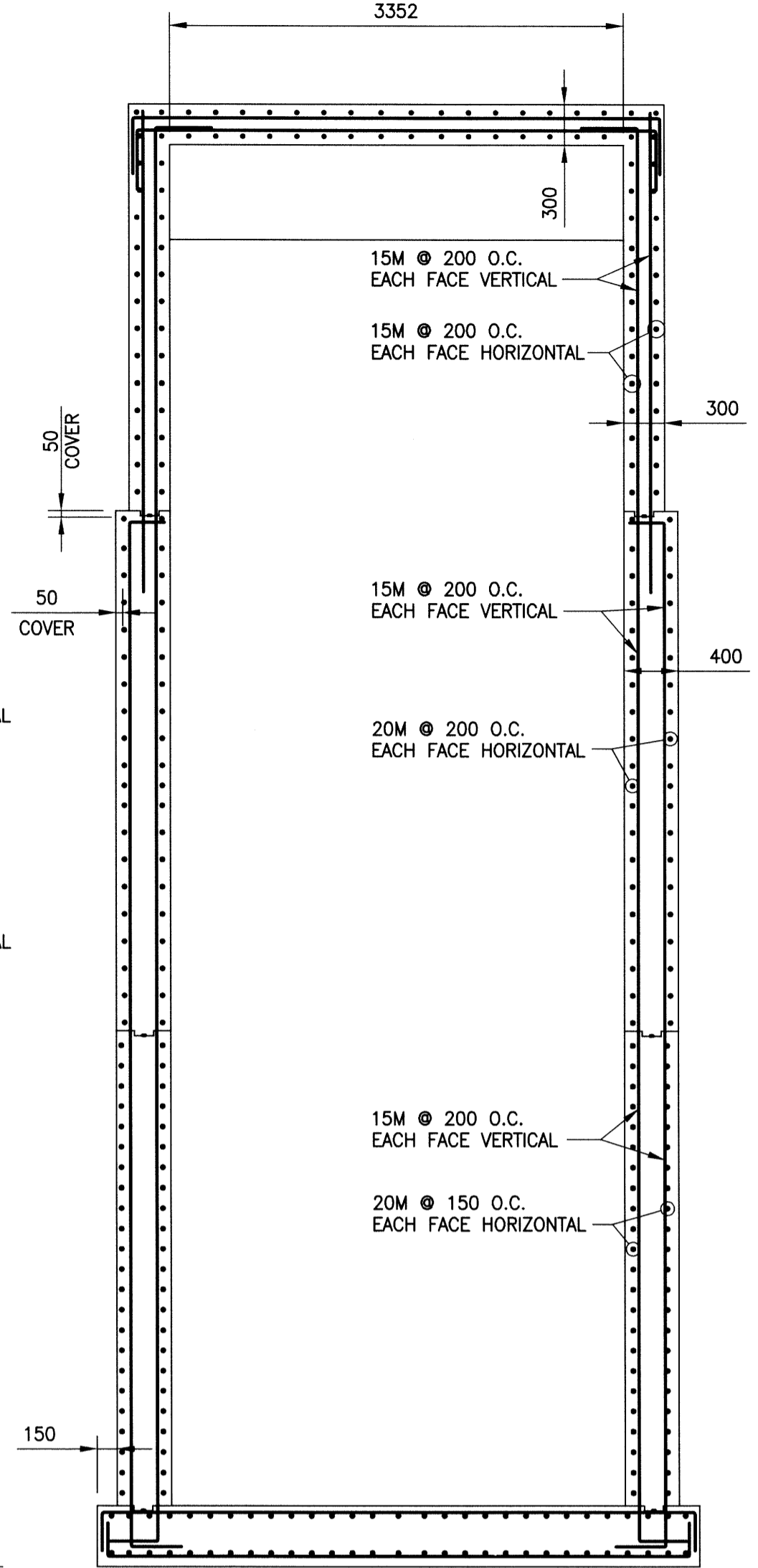
REINFORCING PLAN - EL. 222.917

SCALE: 1:40



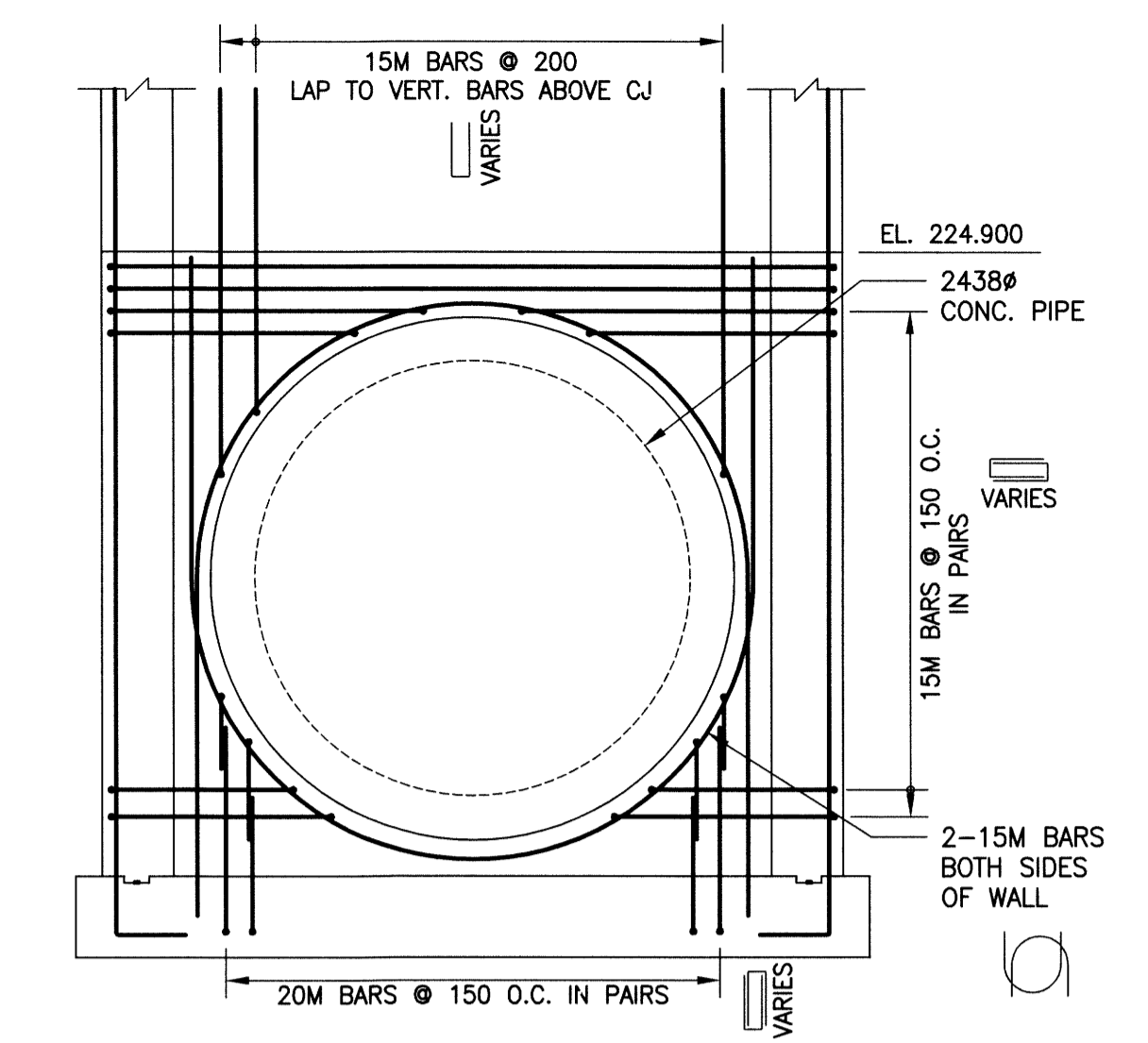
SECTION A

SCALE: 1:40



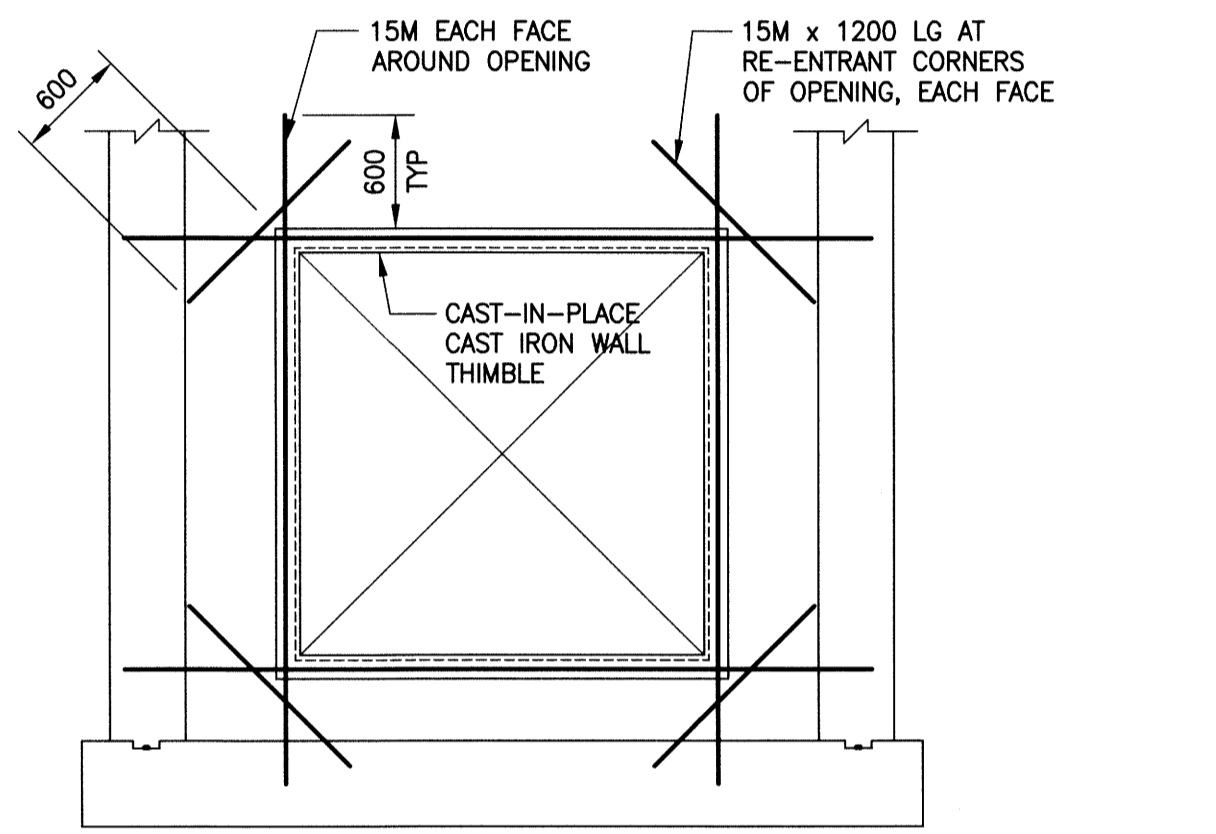
SECTION B

SCALE: 1:40



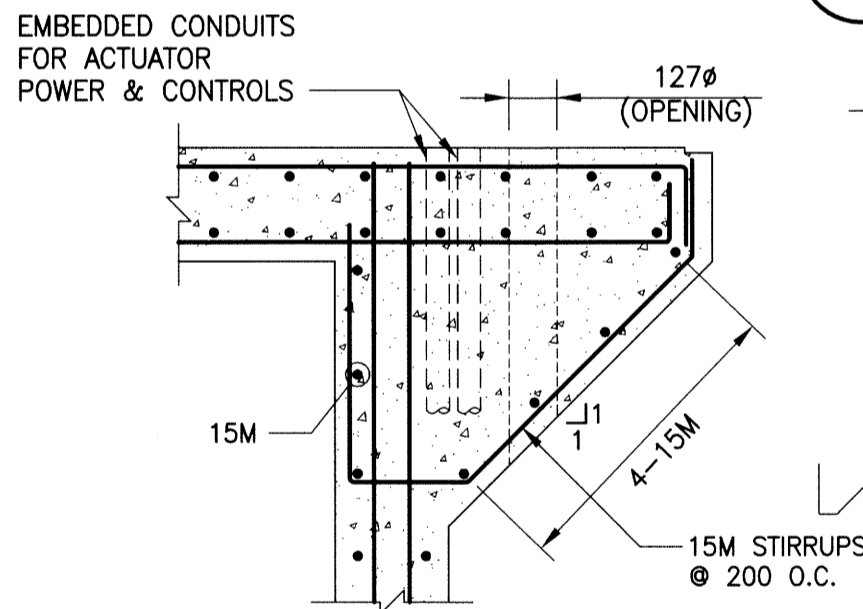
OUTFALL OPENING

SCALE: 1:40



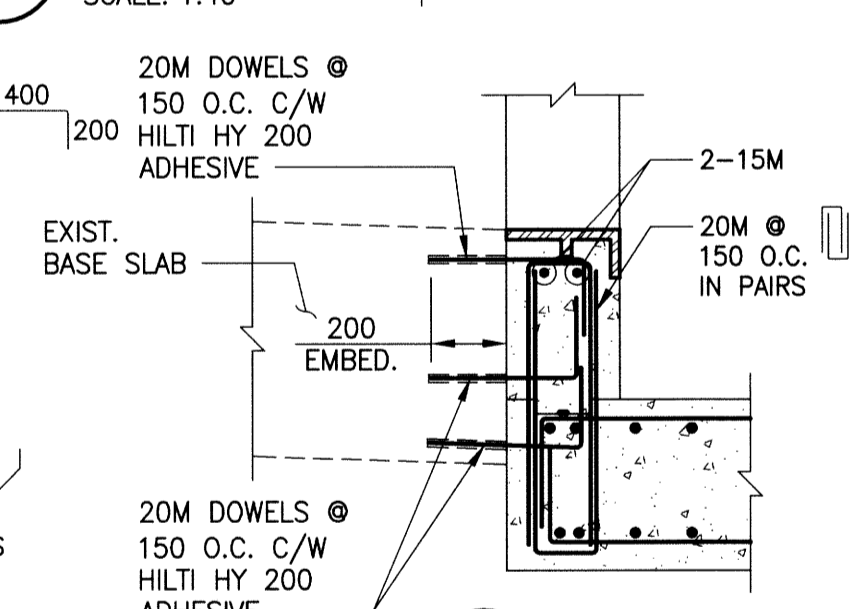
CONTROL GATE OPENINGS (2 REQ'D.)

SCALE: 1:40



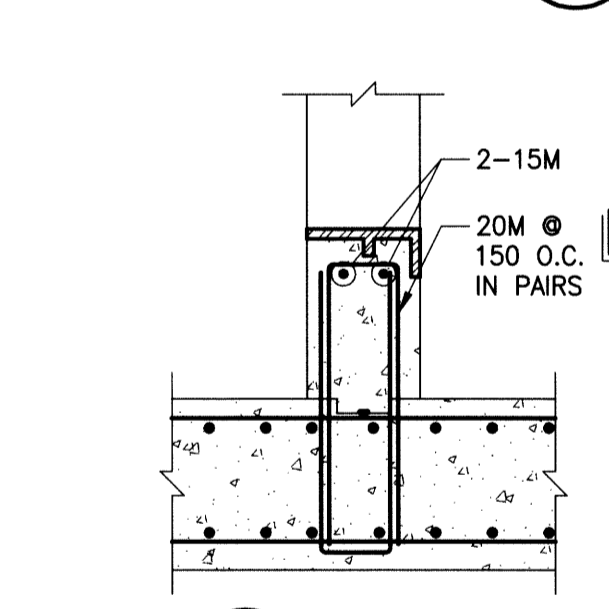
DETAIL 1

SCALE: 1:20



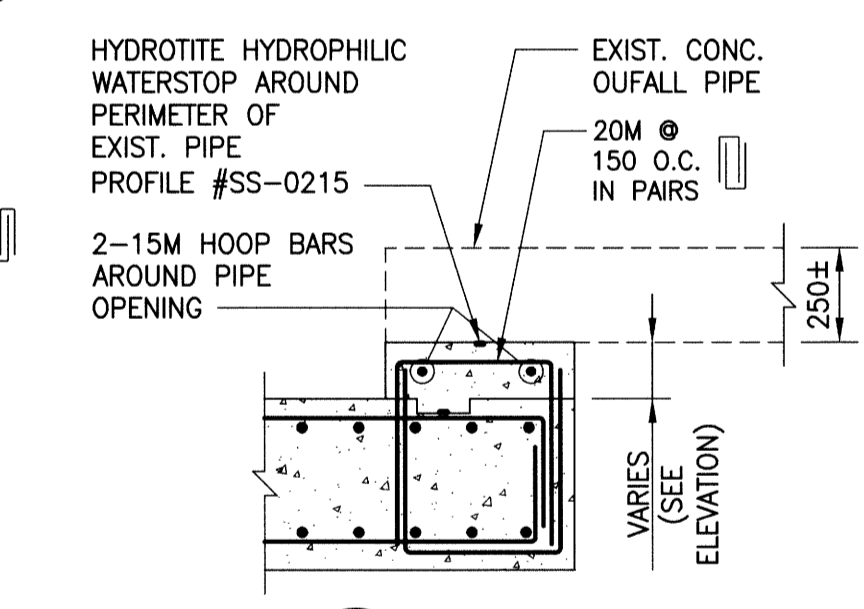
DETAIL 2

SCALE: 1:20



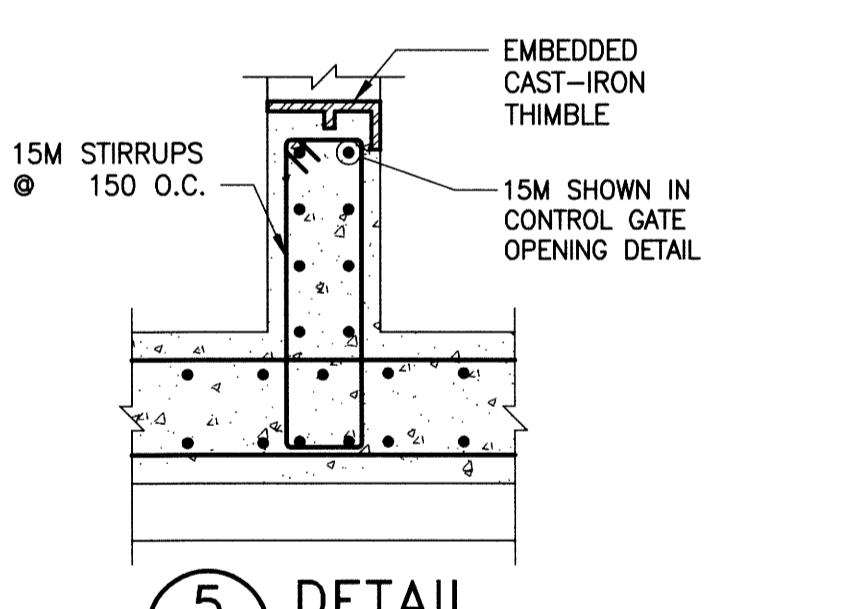
DETAIL 3

SCALE: 1:20



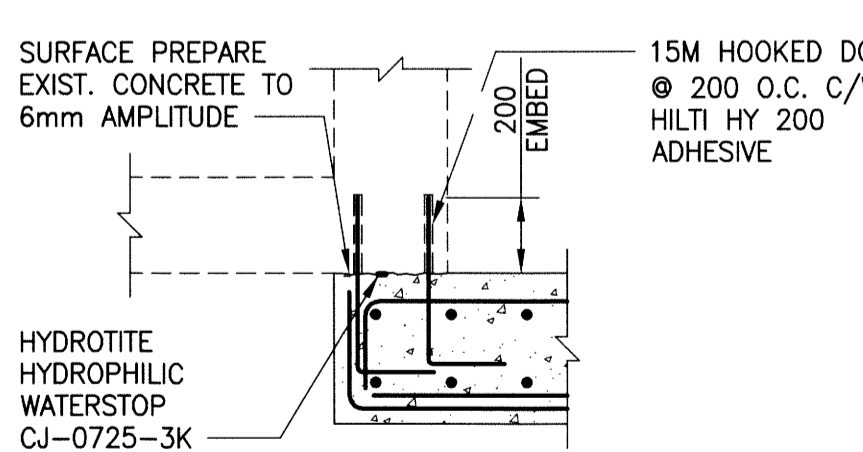
DETAIL 4

SCALE: 1:20



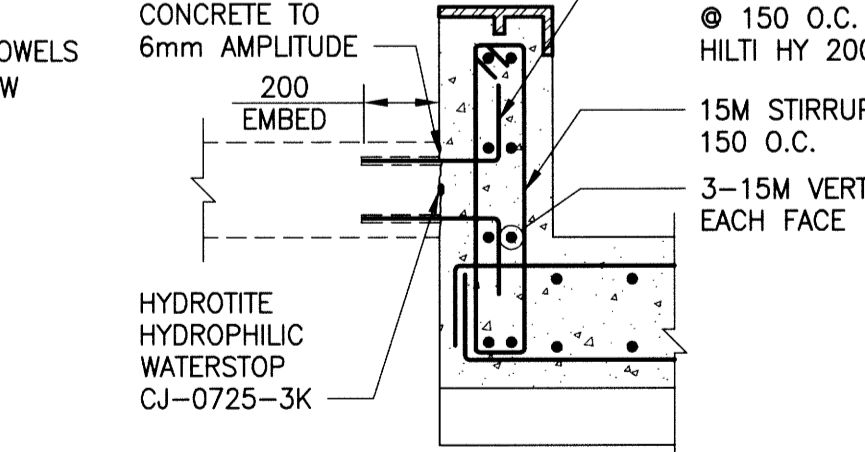
DETAIL 5

SCALE: 1:20



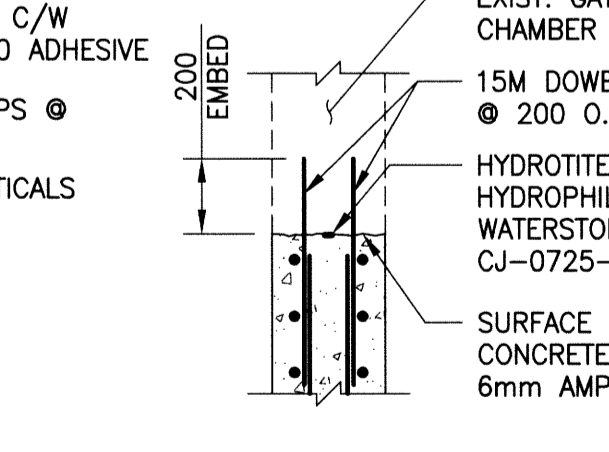
DETAIL 6

SCALE: 1:20



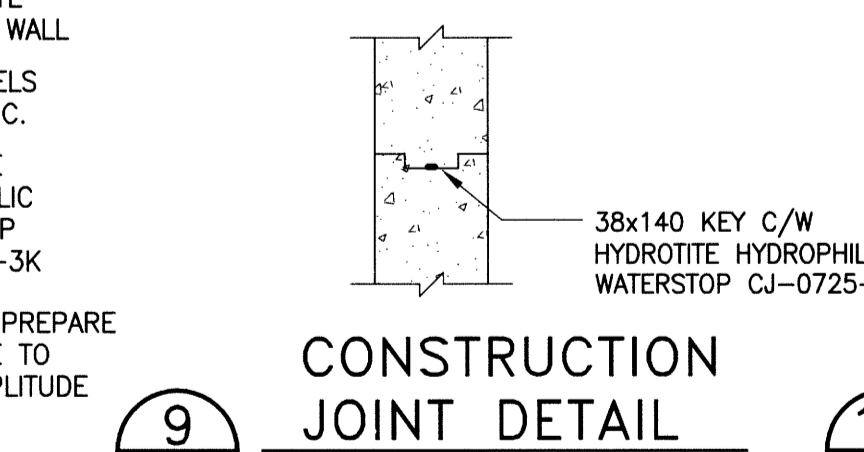
DETAIL 7

SCALE: 1:20



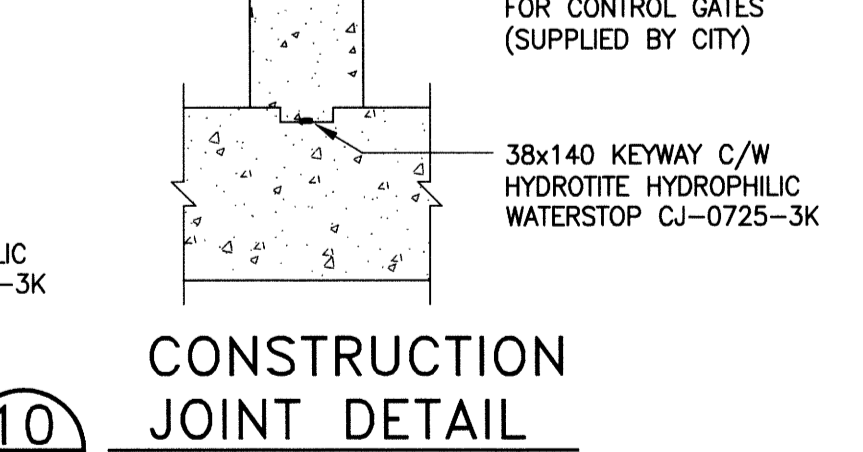
DETAIL 8

SCALE: 1:20



CONSTRUCTION JOINT DETAIL 9

SCALE: 1:20



CONSTRUCTION JOINT DETAIL 10

SCALE: 1:20

METRIC
WHOLE NUMBERS INDICATE MILLIMETRES
DECIMALIZED NUMBERS INDICATE METRES

FIELD BOOK #:	
POSTED TO LBIS	
DESIGNED BY	KRD
CHECKED BY	CMS
DRAWN BY	FBV
APPROVED BY	CMS
HDR. SCALE	AS NOTED
VERTICAL SCALE	AS NOTED
ISSUED FOR CONSTRUCTION	15/10/08
NO. REVISIONS	DATE BY
0	2015 07 20

KGS GROUP
CONSULTING ENGINEERS

DESIGNED BY: KRD
CHECKED BY: CMS
DRAWN BY: FBV
APPROVED BY: CMS
HDR. SCALE: AS NOTED
VERTICAL SCALE: AS NOTED
ISSUED FOR CONSTRUCTION: 15/10/08
NO. REVISIONS: 0

ENGINEER'S SEAL
SIEPMAN
Member
20813

THE CITY OF WINNIPEG
WATER AND WASTE DEPARTMENT

FORT ROUGE OUTFALL CHAMBER UPGRADES

STRUCTURAL
REINFORCING DETAILS

SHEET 1 OF 1
CITY DRAWING NUMBER
1-0204A-S0004-001

APEGM
Certificate of Authorization
KGS Group
No. 245